



Transnet Freight Rail, a division of

TRANSNET SOC LTD

Registration Number 1990/000900/30

[hereinafter referred to as **Transnet**]

REQUEST FOR QUOTATION [RFQ] No: RME CPT 284/2015

FOR THE SUPPLY AND DELIVERY OF STEEL AND FITTINGS

FOR DELIVERY TO: BELLVILLE SQUARE STORES, CAPE TOWN

ISSUE DATE: 26 MAY 2015

CLOSING DATE: 04 JUNE 2015

CLOSING TIME: 10:00

“PREVIEW COPY ONLY”

Section 1
NOTICE TO BIDDERS

Quotations which must be completed as indicated in Section 2 of this RFQ are to be submitted as follows:

METHOD: Post, courier and hand delivery
CLOSING VENUE: SEE BELOW FOR CLOSING VENUE

1 Responses to RFQ

Responses to this RFQ [**Quotations**] must not include documents or reference relating to any other quotation or proposal. Any additional conditions must be embodied in an accompanying letter. Proposals must reach the Secretariat, Acquisition Council before the closing hour on the date shown below, and must be enclosed in a sealed envelope which must have inscribed on the outside:

RFQ No: RME CPT 284/2015
Description: SUPPLY AND DELIVERY OF STEEL AND FITTINGS
Closing date and time: 04th JUNE 2015 AT 10:00 Sharp
Closing address: *[Refer to options in Delivery Instructions for RFQ below]*

All envelopes must reflect the return address of the Respondent on the reverse side.

A. DELIVERY INSTRUCTIONS FOR RFQ

Delivery by hand

If delivered by hand, the envelope is to be deposited in the Transnet tender box which is located at the main entrance of Transnet Park, ROBERT SOBUKWE Road, Bellville and should be addressed as follows:

THE SECRETARIAT
ACQUISITION COUNCIL
TRANSNET PARK
TENDER BOX (located in the foyer of the building)
ROBERT SOBUKWE ROAD
BELLVILLE 7535

a) The measurements of the "tender slot" are 400mm wide x 100mm high, and Respondents must please ensure that response documents or files are no larger than the above dimensions. Responses which are too bulky [i.e. more than 100mm thick] must be split into two or more files, and placed in separate envelopes, each such envelope to be addressed as above.

Dispatch by courier

If dispatched by courier, the envelope must be addressed as follows and delivered to the Office of The Secretariat, Acquisition Council and a signature obtained from that Office:

THE SECRETARIAT
TRANSNET ACQUISITION COUNCIL
6TH FLOOR
TRANSNET PARK
ROBERT SOBUKWE ROAD
BELLVILLE

1

Please note that this RFQ closes punctually at **10:00 on 04th JUNE 2015**.

1. If responses are not delivered as stipulated herein, such responses will not be considered and will be treated as "NON-RESPONSIVE" and will be disqualified.
2. No email or facsimile responses will be considered, unless otherwise stated herein.
3. The responses to this RFQ will be opened as soon as practicable after the expiry of the time advertised for receiving them.
4. Transnet shall not, at the opening of responses, disclose to any other company any confidential details pertaining to the Proposals / information received, i.e. pricing, delivery, etc. The names and locations of the Respondents will be divulged to other Respondents upon request.

Envelopes must not contain documents relating to any RFQ other than that shown on the envelope.

2 Broad-Based Black Economic Empowerment [B-BBEE]

Transnet fully endorses and supports the Government's Broad-Based Black Economic Empowerment Programme and it would therefore prefer to do business with local business enterprises who share these same values. As described in more detail in the attached B-BBEE Claim Form Transnet will allow a "preference" to companies who provide a valid B-BBEE Verification Certificate.

The value of this bid is estimated to be below R1 000 000 (all applicable taxes included) and therefore the **80/20** system shall be applicable.

Respondents are required to complete Annexure A [the B-BBEE Preference Point Claim Form] and submit it together with proof of their B-BBEE Status as stipulated in the Claim Form in order to obtain preference points for their B-BBEE status.

Note: Failure to submit a valid and original B-BBEE certificate or a certified copy thereof at the Closing Date of this RFQ will result in a score of zero being allocated for B-BBEE.

[Refer clause 19 below for returnable Documents required]

3

Communication

Respondents are warned that a response will be liable for disqualification should any attempt be made by a Respondent either directly or indirectly to canvass any officer(s) or employee of Transnet in respect of this RFQ between the closing date and the date of the award of the business.

A Respondent may, however, before the closing date and time, direct any written enquiries relating to the RFQ to the following Transnet employee:

Name: Troy Stevens

Email: troy.stevens@transnet.net

Telephone: 021 940 1892

Respondents may also, at any time after the closing date of the RFQ, communicate with Transnet Employee on any matter relating to its RFQ response:

Name: Iwan Theron
Telephone 021 940 1840
Email: iwan.theron@transnet.net

4 Legal Compliance

The successful Respondent shall be in full and complete compliance with any and all applicable national and local laws and regulations.

5 Changes to Quotations

Changes by the Respondent to its submission will not be considered after the closing date and time.

6 Pricing

All prices must be quoted in South African Rand on a fixed price basis, excluding VAT.

7 Prices Subject to Confirmation

Prices quoted which are subject to confirmation will not be considered.

8 Binding Offer

Any Quotation furnished pursuant to this Request shall be deemed to be an offer. Any exceptions to this statement must be clearly and specifically indicated.

9 Disclaimers

Transnet is not committed to any course of action as a result of its issuance of this RFQ and/or its receipt of a Quotation in response to it. Please note that Transnet reserves the right to:

- modify the RFQ's goods / service(s) and request Respondents to re-bid on any changes;
 - reject any Quotation which does not conform to instructions and specifications which are detailed herein;
 - disqualify Quotations submitted after the stated submission deadline;
 - not necessarily accept the lowest priced Quotation or an alternative bid;
 - reject all Quotations, if it so decides;
 - place an order in connection with this Quotation at any time after the RFQ's closing date;
 - award only a portion of the proposed goods / service/s which are reflected in the scope of this RFQ;
 - split the award of the order/s between more than one Supplier/Service Provider should it at Transnet's discretion be more advantageous in terms of, amongst others, cost or developmental considerations ;
- or
- make no award at all.

Should a contract be awarded on the strength of information furnished by the Respondent, which after conclusion of the contract, is proved to have been incorrect, Transnet reserves the right to cancel the contract.

Transnet reserves the right to award business to the highest scoring bidder/s unless objective criteria justify the award to another bidder.

Transnet reserves the right to conduct Post Tender Negotiations (PTN) with selected Respondents or any number of short-listed Respondents, such PTN to include, at Transnet's discretion, any evaluation criteria listed in the RFQ document.

Should the preferred bidder fail to sign or commence with the contract within a reasonable period after being requested to do so, Transnet reserves the right to award the business to the next highest ranked bidder, provided that he/she is still prepared to provide the required goods at the quoted price.

10 Drawing

Annexure B: Drawings

DRAWING NO. CEE-TNB-71

DRAWING NO. CEE-TMB-93

DRAWING NO. CEE-TX-23

Transnet urges its clients, suppliers and the general public to report any fraud or corruption to

TIP-OFFS ANONYMOUS : 0800 003 056

"PREVIEW COPY ONLY"

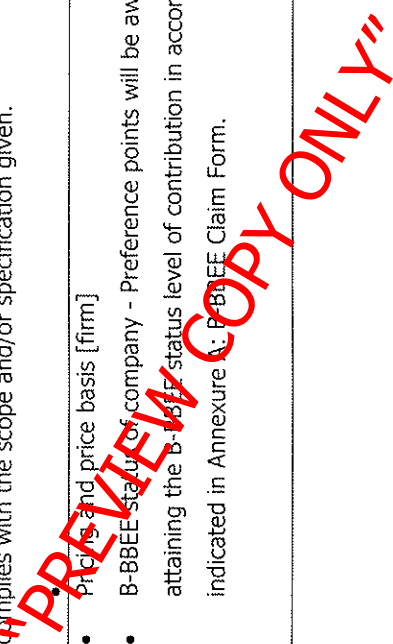
RFQ FOR THE SUPPLY AND DELIVERY OF: STEEL AND FITTINGS
CLOSING VENUE: TRANSNET PARK
CLOSING DATE & TIME: 04 JUNE 2015 10:00AM SHARP
VALIDITY PERIOD: 7 Business Days

SECTION 2
EVALUATION CRITERIA AND RETURNABLE DOCUMENTS

1 Evaluation Criteria

Transnet will utilise the following criteria [not necessarily in this order] in choosing a Supplier/Service Provider, if so required:

Criterion/Criteria	Explanation
Administrative responsiveness	Completeness of response and returnable documents
Substantive responsiveness	Prequalification criteria, if any, must be met and whether the Bid materially complies with the scope and/or specification given.
Final weighted evaluation based on 80/20 preference point	<ul style="list-style-type: none"> • Prices and price basis [firm] • B-BBEE status of company - Preference points will be awarded to a bidder for attaining the B-BBEE status level of contribution in accordance with the table indicated in Annexure A: B-BBEE Claim Form.



2 Validity Period

Transnet desires a validity period of 30 [thirty] Business Days from the closing date of this RFQ.
 This RFQ is valid until _____.

3 Disclosure of Prices Quoted

Respondents must indicate here whether Transnet may disclose their quoted prices and conditions to other Respondents:

YES NO

4 Returnable Documents

Returnable Documents means all the documents, Sections and Annexures, as listed in the tables below.

All Returnable Sections, as indicated in the header and footer of the relevant pages, must be signed, stamped and dated by the Respondent.

- a) Respondents are required to submit with their Quotations the **mandatory Returnable Documents**, as detailed below.

Failure to provide all these Mandatory Returnable Documents at the Closing Date and time of this RFQ will result in a Respondent's disqualification. Respondents are therefore urged to ensure that all these Documents are returned with their Quotations.

Please confirm submission of these mandatory Returnable Documents by so indicating [Yes or No] in the tables below:

Mandatory Returnable Documents	Submitted [Yes or No]
SECTION 3 : Quotation Form	

b) In addition to the requirements of section (a) above, Respondents are further required to submit with their Quotations the following **essential Returnable Documents** as detailed below.

Failure to provide all these Returnable Documents may result in a Respondent's disqualification. Respondents are therefore urged to ensure that all these documents are returned with their Quotations.

Essential Returnable Documents	Submitted [Yes or No]
SECTION 2 : Evaluation criteria and list of returnable documents	
- SECTION 4 : RFQ Declaration and Breach of Law Form	
- Valid and original, or a certified copy, of your entity's B-BBEE Verification Certification as per the requirements stipulated in Annexure A: B-BBEE Claims Form Note: failure to provide these required documents at the closing date and time of the RFQ will result in an automatic score of zero being allocated for preference	
- Original valid Tax Clearance Certificate [Consortia / Joint Ventures must submit a separate Tax Clearance Certificate for each party]	
ANNEXURE A – B-BBEE Preference Points Claim Form	

CONTINUED VALIDITY OF RETURNABLE DOCUMENTS

The successful Respondent will be required to ensure the validity of all returnable documents, including but not limited to its Tax Clearance Certificate and valid B-BBEE Verification Certificate, for the duration of any contract emanating from this RFQ. Should the Respondent be awarded the contract [the Agreement] and fail to present Transnet with such renewals as and when they become due, Transnet shall be entitled, in addition to any other rights and remedies that it may have in terms of the eventual Agreement, to terminate such Agreement forthwith without any liability and without prejudice to any claims which Transnet may have for damages against the Respondent.

SECTION 3
QUOTATION FORM

I/We _____ hereby offer to supply the goods/services at the prices quoted in the Price Schedule below, in accordance with the conditions related thereto.

I/We agree to be bound by those terms and conditions in:

- the Standard RFQ Terms and Conditions for the Supply of Goods or Services to Transnet; and
- any other standard or special conditions mentioned and/or embodied in this Request for Quotation.

I/We accept that unless Transnet should otherwise decide and so inform me/us, this Quotation [and, if any, its covering letter and any subsequent exchange of correspondence], together with Transnet's acceptance thereof shall constitute a binding contract between Transnet and me/us.

I/We further agree that if, after I/we have been notified of the acceptance of my/our Quotation, I/we fail to deliver the said goods/service/s within the delivery lead-time quoted, Transnet may, without prejudice to any other legal remedy which it may have, cancel the order and recover from me/us any expenses incurred by Transnet in calling for Quotations afresh and/or having to accept any less favourable offer.

Price Schedule

I/We quote as follows for the Supply and Delivery of Steel and Fittings for delivery Bellville Square Stores Cape Town, excluding VAT:

Item No	Description of Goods /Services	Unit of Measure	Quantity	Unit Price (ZAR)	Total Price (ZAR)
1	Tower hook Attach tower hook TNB-71 NB: REFER TO ANNEXURE B : DRAWINGS Need to be inspected by Willie Schoeman TFR Material inspector prior to delivery	EACH	1500		
2	PG clamp 800mm2 A1 / 160mm2 Copper Bimetal TNB-93 NB: REFER TO ANNEXURE B : DRAWINGS Need to be inspected by Willie Schoeman TFR Material inspector prior to delivery	EACH	400		

Respondent's Signature

Date & Company Stamp

3	U-Bolt M12x75 TX23 NB: REFER TO ANNEXURE B: DRAWINGS Need to be inspected by Willie Schoeman TFR Material inspector prior to delivery	EACH	2500			
4	Denso chrome paste S105 NB: REFER TO ANNEXURE B: DRAWINGS Need to be inspected by Willie Schoeman TFR Material inspector prior to delivery	KG	50			
5	Zinc rich spray paint Aerosol can (Cold Galvanizing) NB: REFER TO ANNEXURE B: DRAWINGS Need to be inspected by Willie Schoeman TFR Material inspector prior to delivery	EACH	100			
Total Excl. VAT						

PREVIEW COPY ONLY

Delivery Lead-Time from date of purchase order : _____ **[days/weeks]**

Notes to Pricing:

- a) All Prices must be quoted in South African Rand, exclusive of VAT
- b) To facilitate like-for-like comparison bidders must submit pricing strictly in accordance with this price schedule and not utilise a different format. Deviation from this pricing schedule could result in a bid being disqualified.

Please note that should you have offered a discounted price(s), Transnet will only consider such price discount(s) in the final evaluation stage if offered on an unconditional basis.

By signing this Quotation Form the Respondent is deemed to acknowledge that he/she has made himself/herself thoroughly familiar, and agrees, with all the conditions governing this RFQ, including those contained in any printed form stated to form part hereof, including but not limited to the documents stated below and Transnet SOC Ltd will recognise no claim for relief based on an allegation that the Respondent overlooked any such condition or failed properly to take it into account for the purpose of calculating tendered prices or otherwise:

Respondent's Signature

Date & Company Stamp

1. Specifications and drawings included in this RFQ - if applicable; and
2. The following documents all of which are available on Transnet's website or upon request:
 - 2.1. General Bid Conditions;
 - 2.2. Standard RFQ Terms and Conditions for the Supply of Goods or Services to Transnet;
 - 2.3. Supplier Integrity Pact;
 - 2.4. Non-disclosure Agreement; and
 - 2.5. Vendor Application Form and all supporting documents (first time vendors only)

Alternatively, for all existing vendors, please provide vendor number(s) here:

Transnet Operating Division	Unique Vendor Number	Yes / No
Transnet Group		
TFR, etc.		

In the Yes/No column above, please confirm that all the information e.g. company address and contact details, banking details etc. are still correct as at the time of allocation of the vendor number(s). Alternatively, Respondents are required to provide the updated information with their bid submission.

SIGNED at _____ on this _____ day of _____ 20____

SIGNATURE OF WITNESSES

ADDRESS OF WITNESSES

1 _____
Name _____

2 _____
Name _____

SIGNATURE OF RESPONDENT'S AUTHORISED REPRESENTATIVE: _____

NAME: _____

DESIGNATION: _____

SECTION 4

RFQ DECLARATION AND BREACH OF LAW FORM

NAME OF ENTITY: _____

We _____ do hereby certify that:

Respondent's Signature

Date & Company Stamp

1. Transnet has supplied and we have received appropriate responses to any/all questions [as applicable] which were submitted by ourselves for RFQ Clarification purposes;
2. we have received all information we deemed necessary for the completion of this Request for Quotation [RFQ];
3. we have been provided with sufficient access to the existing Transnet facilities/sites and any and all relevant information relevant to the Supply of the Goods as well as Transnet information and Employees, and has had sufficient time in which to conduct and perform a thorough due diligence of Transnet's operations and business requirements and assets used by Transnet. Transnet will therefore not consider or permit any pre- or post-contract verification or any related adjustment to pricing, service levels or any other provisions/conditions based on any incorrect assumptions made by the Respondent in arriving at his Bid Price.
4. at no stage have we received additional information relating to the subject matter of this RFQ from Transnet sources, other than information formally received from the designated Transnet contact(s) as nominated in the RFQ documents;
5. we are satisfied, insofar as our entity is concerned, that the processes and procedures adopted by Transnet in issuing this RFQ and the requirements requested from Bidders in responding to this RFQ have been conducted in a fair and transparent manner; and
6. furthermore, we declare that a family, business and/or social relationship **exists / does not exist** [delete as applicable] between ~~any~~ / member / director / partner / shareholder of our entity and an employee or board member of the Transnet Group including any person who may be involved in the evaluation and/or adjudication of ~~this Bid~~.
7. In addition, we declare that an owner / member / director / partner / shareholder of our entity **is / is not** [delete as applicable] an employee or board member of the Transnet Group.
8. If such a relationship as indicated in paragraph 6 and/or 7 exists, the Respondent is to complete the following section:

FULL NAME OF OWNER/MEMBER/DIRECTOR/
PARTNER/SHAREHOLDER:

ADDRESS:

Indicate nature of relationship with Transnet:

[Failure to furnish complete and accurate information in this regard will lead to the disqualification of a response and may preclude a Respondent from doing future business with Transnet]

9. We declare, to the extent that we are aware or become aware of any relationship between ourselves and Transnet [other than any existing and appropriate business relationship with

Respondent's Signature

Date & Company Stamp

Transnet] which could unfairly advantage our entity in the forthcoming adjudication process, we shall notify Transnet immediately in writing of such circumstances.

BREACH OF LAW

10. We further hereby certify that *I/we have/have not been* [delete as applicable] found guilty during the preceding 5 [five] years of a serious breach of law, including but not limited to a breach of the Competition Act, 89 of 1998, by a court of law, tribunal or other administrative body. The type of breach that the Respondent is required to disclose excludes relatively minor offences or misdemeanours, e.g. traffic offences. This includes the imposition of an administrative fine or penalty.

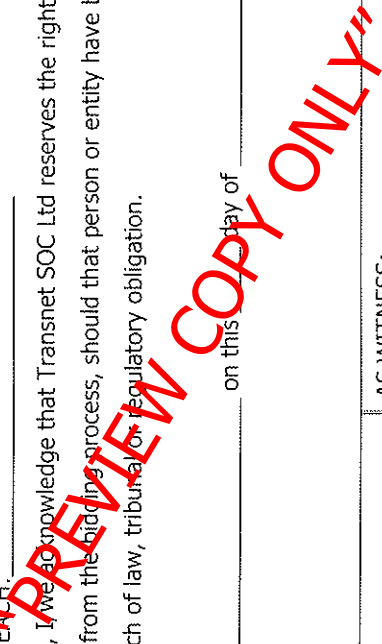
Where found guilty of such a serious breach, please disclose:

NATURE OF BREACH:

DATE OF BREACH:

Furthermore, I/we acknowledge that Transnet SOC Ltd reserves the right to exclude any Respondent from the bidding process, should that person or entity have been found guilty of a serious breach of law, tribunal or regulatory obligation.

SIGNED at _____ on this _____ day of _____ 20_____



For and on behalf of _____ duly authorised hereto	AS WITNESS:

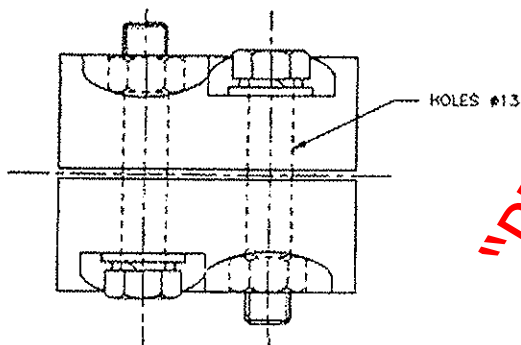
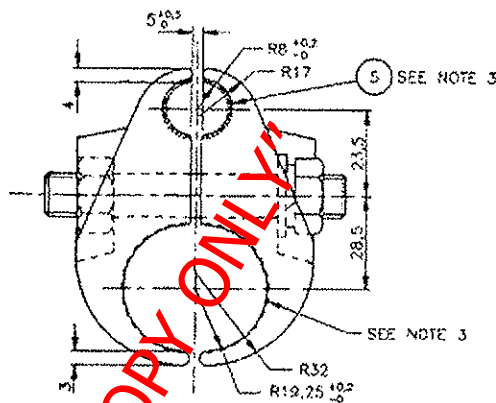
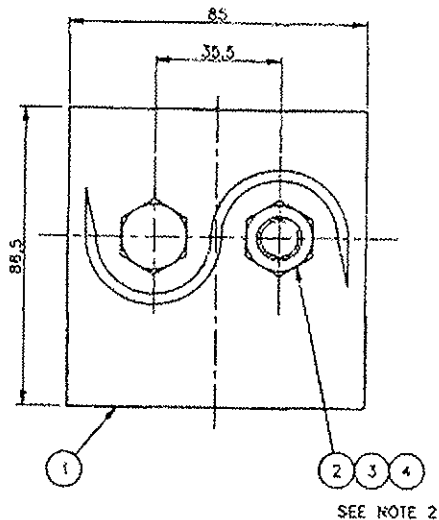
Name:	Name:
Position:	Position:
Signature:	Signature:
Date:	Registration No of Company/CC _____
Place:	Registration Name of Company/CC _____

Respondent's Signature

Date & Company Stamp

ANNEXURE B

ITEM	DESCRIPTION	QTY	STORES ITEM NO	DRG NO	CEE-	AMENDMENTS		
						NO	NAME	DATE
1	ALUMINIUM, GRADE 6063	2						
2	BOLT & NUT, STAINLESS STEEL, HEX, M12 X 70 LG	2						
3	WASHER, STAINLESS STEEL, FLAT, ROUND, M12	2						
4	WASHER, LOCK, STAINLESS STEEL, M12	2						
5	PERMANENT FORGED COPPER INSERT (2mm V. THICKNESS)	2						



"PREVIEW COPY ONLY"

TABLE 1 (SEE NOTE 1)	
CONTINUOUS	1 631 A
5 MIN	3 733 A
1 MIN	8 005 A

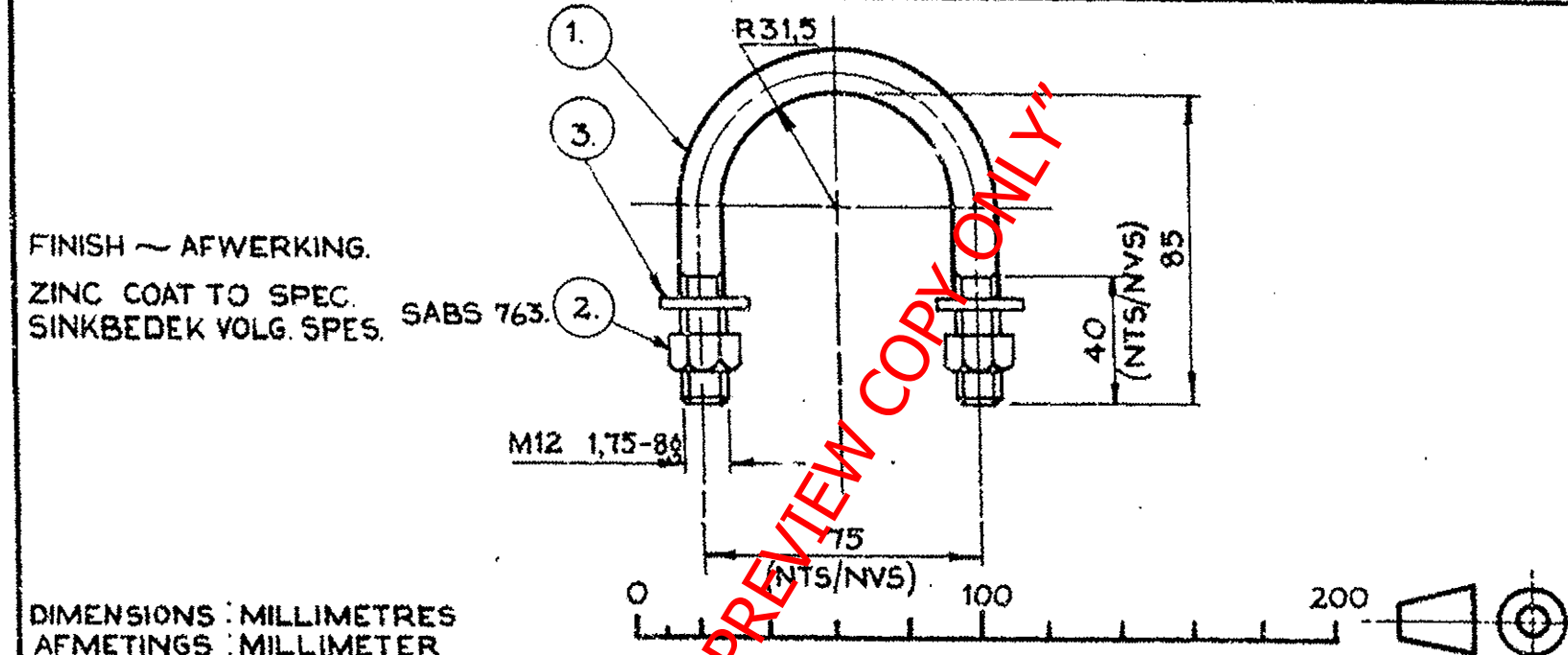
- NOTE
- WITH AN AMBIENT TEMPERATURE OF 20°C THE TEMPERATURE RISE (°) IN THE CLAMP SHALL NOT EXCEED 60°C WHEN APPLYING THE AMPS IN TABLE 1.
 - THE NUTS OF ITEM 2 ARE ENCAPSULATED IN BOTH HALF BODYS OF ITEM 1.
 - THESE SURFACES TO BE SERRATED. PITCH: 1,5 X 0,75 DEEP.

DO REF: T98/050	GEN TOL: L14 ± 1	ANG 2 ~
DRN: J VON ASO	CKD: L E WOOD	DATE: 98-10-16
ENG: H SUER	H SUER	for CHIEF ENG
INFRASTRUCTURE (ELECTRICAL)		SPOORNET

ALUMINIUM CLAMP WITH BIMETAL INSERTION
800mm² ALUMINIUM TO 160mm² COPPER WIRE

STORES ITEM NO	54/016925
DIMENSIONS: mm	SCALE: 1:1
	A2
DRAWING NO	CEE- TNB-93
SHEET	OF

ITEM	DESCRIPTION ~ BESKRYWING	QTY HVLD	STORES MAGASYN NO.	AMENDMENTS WYSIGINGS		
1.	STEEL, ROUND $\phi 12 \times 225$ L TO SPEC STAAI, ROND $\phi 12 \times 225$ L VOLG. SPES CME 9 SYM 7	1.	(M)11/2740	NO.	NAME NAAM	DATE DATUM
2.	NUT, PLAIN, HEX, STEEL, GALV. MOER, GEWONE, SESK, STAAL, GEGALV. M12	2.	(M)1/32856	2.	B.Stewart	82-04-22
3.	WASHER, FLAT, STEEL, ROUND, NORMAL, GALV. WASTER, PLAT, STAAL, ROND, NORMAAL, GEGALV. M12.	2.	(M)1/33659	REDRAWN IN INK. OORGETEKEN IN INK.		



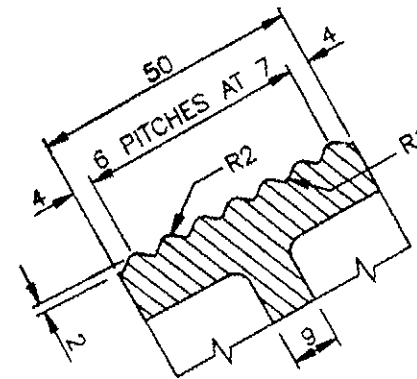
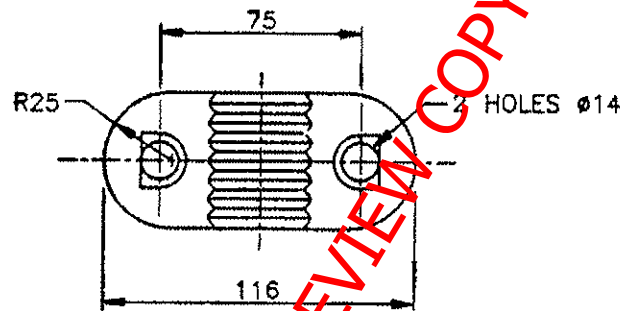
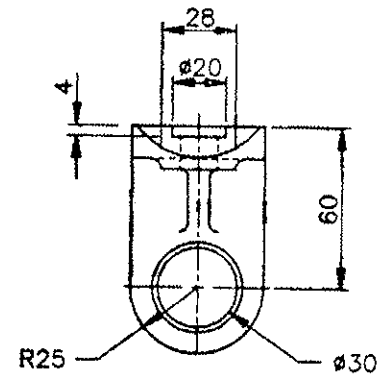
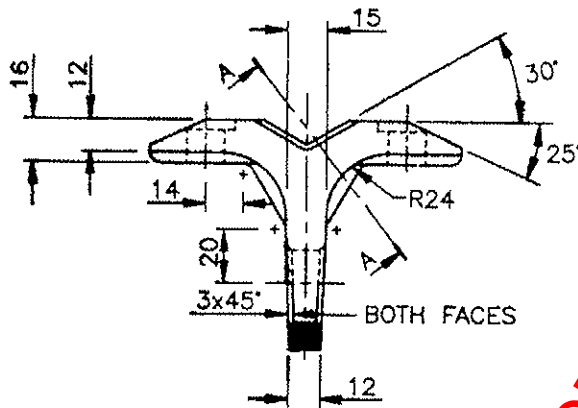
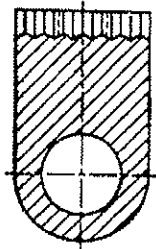
DO. REF. TK-VERW. T1/81/74		
3.	J.SWIEGERS	83-03-10
ASSY. DRG. NO. ADDED SAMEST. TEK-NO. BYGEVOEG. D.O. REF. TK-VERW. T2/82/129		

CEE-TMG-106
 CEE-TMG-99 & 100
 CEE-TMG-101 & 102
 CEE-TMG-108 & 109
 CEE-TMG-110 & 111
 CEE-TMG-8A
 ASSY. DRG.
 SAMEST. - TEK.

DRN. GET. B. v.d. WEST.	GEN. TOLERANCES : LIN. $\pm 0,5$ ALG. TOLERANSIES : ANG./HOEK \pm —	
TRCD. NGT. K. HUGHES	D.O. REF. TK-VERW. —	ENG. IR. —
CKD. NGS. R.A. MACMILLAN	DATE DATUM: 30-02-13	ENG. G.A. WILLIAMS 65/24
CHIEF ELECTRICAL ENGINEER ELEKTRIESE HOOFINGENIEUR JOHANNESBURG		
SOUTH AFRICAN TRANSPORT SERVICES SUID-AFRIKAANSE VERVOERDIENSTE		

U - BOLT
 M12
 U - BOUT

DRAWING TEKENING NO. CEE-
 TX-23



SECTION A-A
SCALE 1:1

NOTES

1. ALL UNSPECIFIED RADII TO BE R4.
2. THE FOLLOWING PERMANENT MARKINGS MUST APPEAR ON THIS ARTICLE:
 - a) SPOORNET.
 - b) MAKER'S IDENTIFICATION.
 - c) BATCH NUMBER.
3. FINISH: ZINC COAT TO SPEC SABS 763 FOR CONDITIONS IN SITU.

"PREVIEW COPY ONLY"

AMENDMENTS

NO	NAME	DATE
1	JVT	96-11-15

REVISED, DRG NO WAS
CEE-TN-165.
DO REF: T96/001

STORES ITEM NO
54/11376

DIMENSIONS: mm
SCALE: 1:2



DRAWING NO CEE-
TNB-71

SHEET — OF —

MATERIAL: SPHEROIDAL GRAPHITE IRON, TO SPEC SABS 939 GRADE SG 50

DO REF: T80/65 GEN TOL: LIN± 1 ANG± 1'

DRN: T HUMAN CKD: _____ DATE: 80-02-11

ENG: _____ GA WILLIAMS for CHIEF ENG

INFRASTRUCTURE
(ELECTRICAL)



ATTACHMENT FITTING
CANTILEVER STRUT, TOWER HOOK

RFQ RME CPT 284/2015 FOR THE SUPPLY AND DELIVERY OF STEEL AND FITTINGS

ANNEXURE G: B-BBEE PREFERENCE POINTS CLAIM FORM

This preference form contains general information and serves as a claim for preference points for Broad-Based Black Economic Empowerment [B-BBEE] Status Level of Contribution.

1. INTRODUCTION

- 1.1 A total of 20 preference points shall be awarded for B-BBEE Status Level of Contribution.
- 1.2 Failure on the part of a Bidder to fill in and/or to sign this form and submit a B-BBEE Verification Certificate from a Verification Agency accredited by the South African Accreditation System [SANAS] or a Registered Auditor approved by the Independent Regulatory Board of Auditors [IRBA] or an Accounting Officer as contemplated in the Close Corporation Act [CCA] together with the bid will be interpreted to mean that preference points for B-BBEE Status Level of Contribution are not claimed.
- 1.3 Transnet reserves the right to require of a Bidder, either before a Bid is adjudicated or at any time subsequently, to substantiate any claim in regard to preferences, in any manner required by Transnet.

2. GENERAL DEFINITIONS

- 2.1 "all applicable taxes" include value-added tax, pay as you earn, income tax, unemployment insurance fund contributions and skills development levies;
- 2.2 "B-BBEE" means broad-based black economic empowerment as defined in section 1 of the Broad-Based Black Economic Empowerment Act;
- 2.3 "B-BBEE status of contributor" means the B-BBEE status received by a measured entity based on its overall performance using the relevant scorecard contained in the Codes of Good Practice on Black Economic Empowerment, issued in terms of section 9(1) of the Broad-Based Black Economic Empowerment Act;
- 2.4 "Bid" means a written offer in a prescribed or stipulated form in response to an invitation by Transnet for the provision of goods, works or services;
- 2.5 "Broad-Based Black Economic Empowerment Act" means the Broad-Based Black Economic Empowerment Act, 2003 [Act No. 53 of 2003];
- 2.6 "comparative price" means the price after the factors of a non-firm price and all unconditional discounts that can utilised have been taken into consideration;
- 2.7 "consortium or joint venture" means an association of persons for the purpose of combining their expertise, property, capital, efforts, skills and knowledge in an activity for the execution of a contract;
- 2.8 "contract" means the agreement that results from the acceptance of a bid by Transnet;
- 2.9 "EME" means any enterprise with an annual total revenue of R5 [five] million or less as per the 2007 version of the B-BBEE Codes of Good Practice and means any enterprise with an annual total

revenue of R10 [ten] million or less as per the Revised Codes of Good Practice issued on 11 October 2013 in terms of Government Gazette No. 36928;

- 2.10 **"firm price"** means the price that is only subject to adjustments in accordance with the actual increase or decrease resulting from the change, imposition, or abolition of customs and excise duty and any other duty, levy, or tax, which, in terms of the law or regulation, is binding on the contractor and demonstrably has an influence on the price of any supplies, or the rendering costs of any service, for the execution of the contract;
- 2.11 **"functionality"** means the measurement according to predetermined norms, as set out in the bid documents, of a service or commodity that is designed to be practical and useful, working or operating, taking into account, among other factors, the quality, reliability, viability and durability of a service and the technical capacity and ability of a bidder;
- 2.12 **"non-firm prices"** means all prices other than "firm" prices;
- 2.13 **"person"** includes reference to a juristic person;
- 2.14 **"QSE"** means any enterprise with an annual total revenue between R5 [five] million and R35 [thirty five] million as per the 2007 version of the B-BBEE Codes of Good Practice and means any enterprise with an annual total revenue of between R10 [ten] million and R50 [fifty] million as per the Revised Codes of Good Practice issued on 11 October 2013 in terms of Government Gazette No. 36928
- 2.15 **"rand value"** means the total estimated value of a contract in South African currency, calculated at the time of bid invitations, and includes all applicable taxes and excise duties;
- 2.16 **"subcontract"** means the primary contractor's subcontracting or leasing or making out work to, or employing another person to support such primary contractor in the execution of part of a project in terms of the contract;
- 2.17 **"total revenue"** bears the same meaning assigned to this expression in the Codes of Good Practice on Black Economic Empowerment, issued in terms of section 9(1) of the Broad-Based Black Empowerment Act and promulgated in the Government Gazette on 9 February 2007;
- 2.18 **"trust"** means the arrangement through which the property of one person is made over or bequeathed to a trustee to administer such property for the benefit of another person; and
- 2.19 **"trustee"** means any person, including the founder of a trust, to whom property is bequeathed in order for such property to be administered for the benefit of another person.

3. ADJUDICATION USING A POINT SYSTEM

- 3.1 The Bidder obtaining the highest number of total points for the evaluation criteria as enumerated in Section 2. of the RFP will be awarded the contract, unless objective criteria justifies the award to another bidder.
- 3.2 Preference points shall be calculated after prices have been brought to a comparative basis taking into account all factors of non-firm prices and all unconditional discounts.
- 3.3 Points scored will be rounded off to 2 [two] decimal places.
- 3.4 In the event of equal points scored, the Bid will be awarded to the Bidder scoring the highest number of preference points for B-BBEE.

- 3.5 However, when functionality is part of the evaluation process and two or more Bids have scored equal points including equal preference points for B-BEE, the successful Bid will be the one scoring the highest score for functionality.
- 3.6 Should two or more Bids be equal in all respect, the award shall be decided by the drawing of lots.

"PREVIEW COPY ONLY"

4. POINTS AWARDED FOR B-BBEE STATUS LEVEL OF CONTRIBUTION

- 4.1 In terms of the Preferential Procurement Regulations, 2011, preference points shall be awarded to a Bidder for attaining the B-BBEE status level of contribution in accordance with the table below:

B-BBEE Status Level of Contributor	Number of Points [Maximum 20]
1	20
2	18
3	16
4	12
5	8
6	6
7	4
8	2
Non-compliant contributor	0

- 4.2 Bidders who qualify as EMEs in terms of the 2007 version of the Codes of Good Practice must submit a certificate issued by a Accounting Officer as contemplated in the CCA or a Verification Agency accredited by SANAS or a Registered Auditor. Registered auditors do not need to meet the prerequisite for IRBA's approval for the purpose of conducting verification and issuing EME's with B-BBEE Status Level Certificates.
- 4.3 Bidders who qualify as EMEs in terms of the Revised Codes of Good Practice issued on 11 October 2013 in terms of Government Gazette No. 36928 are only required to obtain a sworn affidavit on an annual basis confirming that the entity has an Annual Total Revenue of R10 million or less and the entity's Level of Black ownership.
- 4.4 In terms of the 2007 version of the Codes of Good Practice, Bidders other than EMEs must submit their original and valid B-BBEE status level verification certificate or a certified copy thereof, substantiating their B-BBEE rating issued by a Registered Auditor approved by IRBA or a Verification Agency accredited by SANAS.
- 4.5 In terms of the Revised Codes of Good Practice issued on 11 October 2013 in terms of Government Gazette No. 36928, Bidders who qualify as QSEs are only required to obtain a sworn affidavit on an annual basis confirming that the entity has an Annual Total Revenue of R50 million or less and the entity's Level of Black ownership. Large enterprises must submit their original and valid B-BBEE status level verification certificate or a certified copy thereof, substantiating their B-BBEE rating issued by a Registered Auditor approved by IRBA or a Verification Agency accredited by SANAS.
- 4.6 A trust, consortium or joint venture will qualify for points for its B-BBEE status level as a legal entity, provided that the entity submits its B-BBEE status level certificate.
- 4.7 A trust, consortium or joint venture will qualify for points for their B-BBEE status level as an unincorporated entity, provided that the entity submits their consolidated B-BBEE scorecard as if they were a group structure and that such a consolidated B-BBEE scorecard is prepared for every separate bid.

- 4.8 Tertiary institutions and public entities will be required to submit their B-BBEE status level certificates in terms of the specialised scorecard contained in the B-BBEE Codes of Good Practice.
- 4.9 A person will not be awarded points for B-BBEE status level if it is indicated in the Bid documents that such a Bidder intends subcontracting more than 25% [twenty-five per cent] of the value of the contract to any other enterprise that does not qualify for at least the same number of points that such a Bidder qualifies for, unless the intended subcontractor is an EME that has the capability and ability to execute the subcontract.
- 4.10 A person awarded a contract may not subcontract more than 25% [twenty-five per cent] of the value of the contract to any other enterprise that does not have an equal or higher B-BBEE status level than the person concerned, unless the contract is subcontracted to an EME that has the capability and ability to execute the subcontract.
- 4.11 Bidders are to note that in terms of paragraph 2.6 of Statement 000 of the Revised Codes of Good Practice issued on 11 October 2013 in terms of Government Gazette No. 36928, any representation made by an entity about its B-BBEE compliance must be supported by suitable evidence or documentation. As such, Transnet reserves the right to request such evidence or documentation from Bidders in order to verify any B-BBEE recognition claimed.

5. B-BBEE STATUS AND SUBCONTRACTING

- 5.1 **Bidders who claim points in respect of B-BBEE Status Level of Contribution must complete the following:**

B-BBEE Status Level of Contributor _____ = _____ [maximum of 20 points]

Note: Points claimed in respect of this paragraph ~~5.1~~ must be in accordance with the table reflected in paragraph 4.1 above and must be substantiated by means of a B-BBEE certificate issued by a Verification Agency accredited by SANAS or a Registered Auditor approved by IRBA or a sworn affidavit in the case of an EME or QSE.

5.2 Subcontracting:

Will any portion of the contract be subcontracted? YES/NO [delete which is not applicable]

If YES, indicate:

- (i) What percentage of the contract will be subcontracted? %
- (ii) The name of the subcontractor
- (iii) The B-BBEE status level of the subcontractor
- (iv) Is the subcontractor an EME? YES/NO

5.3 Declaration with regard to Company/Firm

- (i) Name of Company/Firm.....
- (ii) VAT registration number.....
- (iii) Company registration number.....
- (iv) Type of Company / Firm [TICK APPLICABLE BOX]

Partnership/Joint Venture/Consortium

One person business/sole propriety

"PREVIEW COPY ONLY"

- Close Corporations
- Company (Pty) Ltd

(v) Describe Principal Business Activities

- (vi) Company Classification [TICK APPLICABLE BOX]
- Manufacturer
 - Supplier
 - Professional Service Provider
 - Other Service Providers, e.g Transporter, etc
- (vii) Total number of years the company/firm has been in business.....

BID DECLARATION

I/we, the undersigned, who warrants that he/she is duly authorised to do so on behalf of the company/firm, certify that points claimed, based on the B-BBEE status level of contribution indicated in paragraph 4 above, qualifies the company/firm for the preference(s) shown and I / we acknowledge that:

- (i) The information furnished is true and correct.
- (ii) In the event of a contract being awarded as a result of points claimed as shown in paragraph 6 above, the contractor may be required to furnish documentary proof to the satisfaction of Transnet that the claims are correct.
- (iii) If the B-BBEE status level of contribution has been claimed or obtained on a fraudulent basis or any of the conditions of contract have not been fulfilled, Transnet may, in addition to any other remedy it may have:

- (a) disqualify the person from the bidding process;
- (b) recover costs, losses or damages it has incurred or suffered as a result of that person's conduct;
- (c) cancel the contract and claim any damages which it has suffered as a result of having to make less favourable arrangements due to such cancellation;
- (d) restrict the Bidder or contractor, its shareholders and directors, and/or associated entities, or only the shareholders and directors who acted in a fraudulent manner, from obtaining business from Transnet for a period not exceeding 10 years, after the *audi alteram partem* [hear the other side] rule has been applied; and/or
- (e) forward the matter for criminal prosecution.

WITNESSES:

1.
2.

SIGNATURE OF BIDDER

DATE:.....

COMPANY NAME:

ADDRESS:.....

"PREVIEW COPY ONLY"