

**Transnet Freight Rail**, a division of

**TRANSNET SOC LTD**

Registration Number 1990/000900/30

[hereinafter referred to as **Transnet**]

**REQUEST FOR QUOTATION [RFQ] NO ERAC-RCB-21289-MM-070**

**FOR THE SUPPLY OF: COMPOSITE INSULATORS ON AN "AS AND WHEN"  
REQUIRED BASIS FOR A PERIOD OF TWENTY FOUR (24)  
MONTHS**

**FOR DELIVERY TO: RICHARDS BAY REGION**

**ISSUE DATE: 28 APRIL 2016 - 18 MAY 2016**

**CLOSING DATE: 19 MAY 2016**

**CLOSING TIME: 10:00**

## Section 1

### NOTICE TO BIDDERS

Quotations which must be completed as indicated in Section 2 of this RFQ are to be submitted as follows:

**METHOD:** Tender box only

**CLOSING VENUE:** Transnet Freight Rail RME,  
The Chairman of the Acquisition Council,  
Inyanda House 1, 21 Wellington Road,  
Parktown, Gauteng

For acknowledgement of receipt of tender documents please contact: Lolo Sokhela at 011 544 9494 or Thuli Mathebula at 011 544 9497

**Note: Faxed, e-mailed and preview copy submissions will not be accepted**

#### 1 Responses to RFQ

Responses to this RFQ [**Quotations**] must not include documents or reference relating to any other quotation or proposal. Any additional conditions must be embodied in an accompanying letter.

#### 2 Broad-Based Black Economic Empowerment [B-BBEE]

Transnet fully endorses and supports the Government's Broad-Based Black Economic Empowerment Programme and it would therefore prefer to do business with local business enterprises who share these same values. As described in more detail in the attached B-BBEE Claim Form Transnet will allow a "preference" to companies who provide a valid B-BBEE Verification Certificate.

The value of this bid is estimated to exceed R1 000 000 (all applicable taxes included); and therefore the **90/10** system shall be applicable.

Respondents are required to complete Annexure A [the B-BBEE Preference Point Claim Form] and submit it together with proof of their B-BBEE Status as stipulated in the Claim Form in order to obtain preference points for their B-BBEE status.

**Note: Failure to submit a valid and original B-BBEE certificate or a certified copy thereof at the Closing Date of this RFQ will result in a score of zero being allocated for B-BBEE.**

##### 2.1 B-BBEE Improvement Plan

Transnet encourages its Suppliers/Service Providers to constantly strive to improve their B-BBEE rating. Whereas Respondents will be allocated points in terms of a preference point system based on its B-BBEE scorecard to be assessed as detailed in paragraph 2.1 above, in addition to such scoring, Transnet also requests that Respondents submit a B-BBEE improvement plan. Respondents are therefore requested to indicate the extent to which they will maintain or improve their B-BBEE status over the contract period. Respondents are requested to submit their B-BBEE Improvement Plan as an additional document with their Proposals by completion of **Annexure F** appended hereto.

### 3 Communication

Respondents are warned that a response will be liable for disqualification should any attempt be made by a Respondent either directly or indirectly to canvass any officer(s) or employee of Transnet in respect of this RFQ between the closing date and the date of the award of the business.

A Respondent may, however, before the closing date and time, direct any written enquiries relating to the RFQ to the following Transnet employee:

Name: Mari Maritz Email: mari.maritz@transnet.net

Telephone: 035 906 7348

Respondents may also, at any time after the closing date of the RFQ, communicate the following individuals on any matter relating to its RFQ response:

Name	Email address	Telephone	Fax
Lolo Sokhela	<a href="mailto:Lolo.sokhela@transnet.net">Lolo.sokhela@transnet.net</a>	011 544 9494	011 774 9189
Thuli Mathebula	<a href="mailto:Thuli.mathebula@transnet.net">Thuli.mathebula@transnet.net</a>	011 544 9497	011 774 9129

### 4 Legal Compliance

The successful Respondent shall be in full and complete compliance with any and all applicable national and local laws and regulations.

### 5 Changes to Quotations

Changes by the Respondent to its submission will not be considered after the closing date and time.

### 6 Pricing

All prices must be quoted in South African Rand on a fixed price basis for twelve months, excluding VAT. Prices will be fixed for twelve (12) months from date of award, thereafter adjustment will apply for the second year.

### 7 Prices Subject to Confirmation

Prices quoted which are subject to confirmation will not be considered.

### 8 Binding Offer

Any Quotation furnished pursuant to this Request shall be deemed to be an offer. Any exceptions to this statement must be clearly and specifically indicated.

### 9 Disclaimers

Transnet is not committed to any course of action as a result of its issuance of this RFQ and/or its receipt of a Quotation in response to it. Please note that Transnet reserves the right to:

- modify the RFQ's goods / service(s) and request Respondents to re-bid on any changes;
- reject any Quotation which does not conform to instructions and specifications which are detailed herein;
- disqualify Quotations submitted after the stated submission deadline;
- not necessarily accept the lowest priced Quotation or an alternative bid;
- reject all Quotations, if it so decides;
- place an order in connection with this Quotation at any time after the RFQ's closing date;

- award only a portion of the proposed goods / service/s which are reflected in the scope of this RFQ;
- split the award of the order/s between more than one Supplier/Service Provider should it at Transnet's discretion be more advantageous in terms of, amongst others, cost or developmental considerations ;  
or
- make no award at all.

Should a contract be awarded on the strength of information furnished by the Respondent, which after conclusion of the contract, is proved to have been incorrect, Transnet reserves the right to cancel the contract.

Transnet reserves the right to award business to the highest scoring bidder/s unless objective criteria justify the award to another bidder.

Transnet reserves the right to conduct Post Tender Negotiations (PTN) with selected Respondents or any number of short-listed Respondents, such PTN to include, at Transnet's discretion, any evaluation criteria listed in the RFQ document.

Should the preferred bidder fail to sign or commence with the contract within a reasonable period after being requested to do so, Transnet reserves the right to award the business to the next highest ranked bidder, provided that he/she is still prepared to provide the required goods at the quoted price.

#### **10 Specification/Scope of Work**

Refer to Annexure D for Specification of Goods; as well as Annexure E for drawings

#### **11 Respondent's Samples**

In this RFQ, Respondents are not required to submit samples of the Goods tendered for.

**Transnet urges its clients, suppliers and the general public to report any fraud or corruption to**

**TIP-OFFS ANONYMOUS: 0800 003 056**

"PREVIEW COPY ONLY"

**RFQ FOR THE SUPPLY AND DELIVERY OF COMPOSITE INSULATORS TO THE RICHARDS BAY REGION ON AN "AS AND WHEN" REQUIRED BASIS FOR A PERIOD OF TWENTY FOUR (24) MONTHS**  
**CLOSING VENUE: TENDER BOX AT INYANDA HOUSE, 21 WELLINGTON ROAD, PARKTOWN, GAUTENG**  
**CLOSING DATE & TIME: 19 MAY 2016 AT 10:00**  
**VALIDITY PERIOD: 90 BUSINESS DAYS**

**SECTION 2**  
**EVALUATION CRITERIA AND RETURNABLE DOCUMENTS**

**12 Evaluation Criteria**

Transnet will utilise the following criteria [not necessarily in this order] for choosing a Supplier/Service Provider, if so required:

Criterion/Criteria	Explanation
<b>Administrative responsiveness</b>	Completeness of response and returnable documents
<b>Substantive responsiveness</b>	Prequalification criteria, if any, must be met and whether the Bid materially complies with the scope and/or specification given. <ul style="list-style-type: none"> <li>Compliance to Transnet's specifications</li> <li>All items on the Pricing Schedule should be priced; if not it will result in a bid being disqualified</li> <li>To facilitate like-for-like comparison bidders must submit pricing strictly in accordance with this price schedule and not utilise a different format. Deviation from this pricing schedule could result in a bid being disqualified</li> </ul>
<b>Functionality threshold</b>	As prescribed in terms of the Preferential Procurement Policy Framework Act (PPPFA), Act 5 of 2000 and its Regulations, Respondents are to note that functionality is included as a threshold with a prescribed percentage threshold of 70%. Delivery lead-time and drawings will be considered as part of the technical evaluation[complete Annexure C – Technical Questionnaire
<b>Final weighted evaluation based on 90/10 preference point</b>	<ul style="list-style-type: none"> <li>Pricing and price basis [firm]</li> <li>B-BBEE status of company - Preference points will be awarded to a bidder for attaining the B-BBEE status level of contribution in accordance with the table indicated in Annexure A: B-BBEE Claim Form.</li> </ul>

**13 Validity Period**

Transnet desires a validity period of 90 [ninety] Business Days from the closing date of this RFQ.

This RFQ is valid until \_\_\_\_\_.

**14 Disclosure of Prices Quoted**

Respondents must indicate here whether Transnet may disclose their quoted prices and conditions to other Respondents:

YES  NO

**15 Returnable Documents**

**Returnable Documents** means all the documents, Sections and Annexures, as listed in the tables below.

**All Returnable Sections, as indicated in the header and footer of the relevant pages, must be signed, stamped and dated by the Respondent.**

- a) Respondents are required to submit with their Quotations the **Mandatory Returnable Documents**, as detailed below.

***Failure to provide all these Mandatory Returnable Documents at the Closing Date and time of this RFQ will result in a Respondent's disqualification. Respondents are therefore urged to ensure that all these Documents are returned with their Quotations.***

Please confirm submission of these mandatory Returnable Documents by so indicating [Yes or No] in the tables below:

Mandatory Returnable Documents	Submitted [Yes or No]
SECTION 3 : Quotation Form	
ANNEXURE B : Clause-by-Clause schedule	
ANNEXURE C : Technical Submission/Questionnaire	

- b) In addition to the requirements of section (a) above, Respondents are further required to submit with their Quotations the following **essential Returnable Documents** as detailed below.

***Failure to provide all these Returnable Documents may result in a Respondent's disqualification. Respondents are therefore urged to ensure that all these documents are returned with their Quotations.***

Essential Returnable Documents	Submitted [Yes or No]
SECTION 2 : Evaluation criteria and list of returnable documents	
- SECTION 4 : RFQ Declaration and Breach of Law Form	
- Valid and original, or a certified copy, of your entity's B-BBEE Verification Certification as per the requirements stipulated in Annexure A: B-BBEE Claims Form Note: failure to provide these required documents at the closing date and time of the RFQ will result in an automatic score of zero being allocated for preference	
- Original valid Tax Clearance Certificate [Consortia / Joint Ventures must submit a separate Tax Clearance Certificate for each party]	
ANNEXURE A – B-BBEE Preference Points Claim Form	

<b>Essential Returnable Documents</b>	<b>Submitted [Yes or No]</b>
ANNEXURE F – B-BBEE Improvement Plan	
ANNEXURE G – Price Adjustment for Inflation	

**CONTINUED VALIDITY OF RETURNABLE DOCUMENTS**

The successful Respondent will be required to ensure the validity of all returnable documents, including but not limited to its Tax Clearance Certificate and valid B-BBEE Verification Certificate, for the duration of any contract emanating from this RFQ. Should the Respondent be awarded the contract [**the Agreement**] and fail to present Transnet with such renewals as and when they become due, Transnet shall be entitled, in addition to any other rights and remedies that it may have in terms of the eventual Agreement, to terminate such Agreement forthwith without any liability and without prejudice to any claims which Transnet may have for damages against the Respondent.

**"PREVIEW COPY ONLY"**

### SECTION 3 QUOTATION FORM

I/We \_\_\_\_\_  
hereby offer to supply the goods/services at the prices quoted in the Price Schedule below, in accordance with the conditions related thereto.

I/We agree to be bound by those terms and conditions in:

- the Standard RFQ Terms and Conditions for the Supply of Goods or Services to Transnet; and
- any other standard or special conditions mentioned and/or embodied in this Request for Quotation.

I/We accept that unless Transnet should otherwise decide and so inform me/us, this Quotation [and, if any, its covering letter and any subsequent exchange of correspondence], together with Transnet's acceptance thereof shall constitute a binding contract between Transnet and me/us.

I/We further agree that if, after I/we have been notified of the acceptance of my/our Quotation, I/we fail to deliver the said goods/service/s within the delivery lead-time quoted, Transnet may, without prejudice to any other legal remedy which it may have, cancel the order and recover from me/us any expenses incurred by Transnet in calling for Quotations and/or having to accept any less favourable offer.

#### Price Schedule

I/We quote as follows for the goods required, on a "delivered nominated destination" basis, excluding VAT:

Item No	Description of Goods / Services	Unit of Measure	Unit Price (ZAR, excl. VAT)
1	21kV Vandal proof post top transmission line insulator; F-neck type: To include M20x155mm 5mm thread sprindle; Nut and flat washer: Galvanising as per specification SANS 121. As per drawing: BBC8439 Rev 2	EA	
2	25kV AC Tension type insulator; Material Silicon rubber; Creepage path 1476mm; Vandal proof (Composite) Square Tongue and Round Clevis; End caps galvanised as per SANS 121; As per drawing: BBB0281 Rev 4	EA	
3	25kV AC compression type insulator; Square tongue and pipe fitting; As per drawing: BBB0430 Rev. 3; Creepage path 1476mm; As per drawing: BBB0429 Rev 4	EA	
4	25kV AC compression type; Square tongue and clevis As per drawing: BBB430 Rev 3; Creepage path 1476mm: As per drawing: BBB0429 Rev 4	EA	

Respondent's Signature

Date & Company Stamp



Item No	Description of Goods /Services	Unit of Measure	Unit Price (ZAR, excl. VAT)
5	3kV Strain type insulator; Vandal proof; Creepage path 400mm; Square tongue and round clevis and caps; As per drawing: BBB0589 Rev 2	EA	
6	25kv AC post type insulator stand off; Vandal proof; Station post. As per drawing: BBC8438 Rev 1	EA	

**Delivery Lead-Time from date of purchase order:** \_\_\_\_\_ [days/weeks]

**Notes to Pricing:**

- a) All prices must be quoted in South African Rand on a fixed price basis for twelve months, excluding VAT. Prices will be fixed for twelve (12) months from date of award, thereafter adjustment will apply for the second year
- b) All items on the Pricing Schedule should be priced; if not it will result in a bid being disqualified
- c) To facilitate like-for-like comparison bidders must submit pricing strictly in accordance with this price schedule and not utilise a different format. Deviation from this pricing schedule could result in a bid being disqualified.

Please note that should you have offered a discounted price(s) Transnet will only consider such price discount(s) in the final evaluation stage if offered on an unconditional basis.

**By signing this Quotation Form the Respondent is deemed to acknowledge that he/she has made himself/herself thoroughly familiar, and agrees, with all the conditions governing this RFQ, including those contained in any printed form stated to form part hereof, including but not limited to the documents stated below and Transnet SOC Ltd will recognise no claim for relief based on an allegation that the Respondent overlooked any such condition or failed properly to take it into account for the purpose of calculating tendered prices or otherwise:**

1. Specifications and drawings included in this RFQ - if applicable; and
2. The following documents all of which are available on Transnet's website or upon request:
  - 2.1. General Bid Conditions;
  - 2.2. Standard RFQ Terms and Conditions for the Supply of Goods or Services to Transnet;
  - 2.3. Supplier Integrity Pact; and
  - 2.4. Vendor Application Form and all supporting documents (first time vendors only)

Alternatively, for all existing vendors, please provide vendor number(s) here:

Transnet Operating Division	Unique Vendor Number	Yes / No
Transnet Group		
TFR, etc.		

In the Yes/No column above, please confirm that all the information e.g. company address and contact details, banking details etc. are still correct as at the time of allocation of the vendor number(s). Alternatively, Respondents are required to provide the updated information with their bid submission.

SIGNED at \_\_\_\_\_ on this \_\_\_\_ day of \_\_\_\_\_ 20\_\_

SIGNATURE OF WITNESSES

ADDRESS OF WITNESSES

1 \_\_\_\_\_  
Name \_\_\_\_\_

\_\_\_\_\_  
\_\_\_\_\_

2 \_\_\_\_\_  
Name \_\_\_\_\_

\_\_\_\_\_  
\_\_\_\_\_

SIGNATURE OF RESPONDENT'S AUTHORISED REPRESENTATIVE: \_\_\_\_\_

NAME: \_\_\_\_\_

DESIGNATION: \_\_\_\_\_

**"PREVIEW COPY ONLY"**

**SECTION 4**

**RFQ DECLARATION AND BREACH OF LAW FORM**

NAME OF ENTITY: \_\_\_\_\_

We \_\_\_\_\_ do hereby certify that:

1. Transnet has supplied and we have received appropriate responses to any/all questions [as applicable] which were submitted by ourselves for RFQ Clarification purposes;
2. we have received all information we deemed necessary for the completion of this Request for Quotation [RFQ];
3. we have been provided with sufficient access to the existing Transnet facilities/sites and any and all relevant information relevant to the Supply of the Goods as well as Transnet information and Employees, and has had sufficient time in which to conduct and perform a thorough due diligence of Transnet's operations and business requirements and assets used by Transnet. Transnet will therefore not consider or permit any pre- or post-contract verification or any related adjustment to pricing, service levels or any other provisions/conditions based on any incorrect assumptions made by the Respondent in arriving at his Bid Price.
4. at no stage have we received additional information relating to the subject matter of this RFQ from Transnet sources, other than information formally received from the designated Transnet contact(s) as nominated in the RFQ documents;
5. we are satisfied, insofar as our entity is concerned, that the processes and procedures adopted by Transnet in issuing this RFQ and the requirements requested from Bidders in responding to this RFQ have been conducted in a fair and transparent manner; and
6. furthermore, we declare that a family, business and/or social relationship **exists / does not exist** [delete as applicable] between an owner / member / director / partner / shareholder of our entity and an employee or board member of the Transnet Group including any person who may be involved in the evaluation and/or adjudication of this Bid.
7. In addition, we declare that an owner / member / director / partner / shareholder of our entity **is / is not** [delete as applicable] an employee or board member of the Transnet Group.
8. If such a relationship as indicated in paragraph 6 and/or 7 exists, the Respondent is to complete the following section:

FULL NAME OF OWNER/MEMBER/DIRECTOR/  
PARTNER/SHAREHOLDER:

ADDRESS:

\_\_\_\_\_  
\_\_\_\_\_

Indicate nature of relationship with Transnet:

\_\_\_\_\_  
\_\_\_\_\_

*[Failure to furnish complete and accurate information in this regard will lead to the disqualification of a response and may preclude a Respondent from doing future business with Transnet]*

9. We declare, to the extent that we are aware or become aware of any relationship between ourselves and Transnet [other than any existing and appropriate business relationship with Transnet] which could unfairly advantage our entity in the forthcoming adjudication process, we shall notify Transnet immediately in writing of such circumstances.

**BREACH OF LAW**

10. We further hereby certify that I/we **have/have not been** [delete as applicable] found guilty during the preceding 5 [five] years of a serious breach of law, including but not limited to a breach of the Competition Act, 89 of 1998, by a court of law, tribunal or other administrative body. The type of breach that the Respondent is required to disclose excludes relatively minor offences or misdemeanours, e.g. traffic offences. This includes the imposition of an administrative fine or penalty.

Where found guilty of such a serious breach, please disclose:

NATURE OF BREACH:

\_\_\_\_\_

\_\_\_\_\_

\_\_\_\_\_

DATE OF BREACH: \_\_\_\_\_

Furthermore, I/we acknowledge that Transnet SOC Ltd reserves the right to exclude any Respondent from the bidding process, should that person or entity have been found guilty of a serious breach of law, tribunal or regulatory obligation.

SIGNED at \_\_\_\_\_ on this \_\_\_\_\_ day of \_\_\_\_\_ 20\_\_\_\_

for and on behalf of _____ duly authorised hereto	AS WITNESS:
Name:	Name:
Position:	Position:
Signature:	Signature:
Date:	Registration No of Company/CC _____
Place:	Registration Name of Company/CC _____

**RFQ FOR THE SUPPLY AND DELIVERY OF  
COMPOSITE INSULATORSTO THE RICHARDS BAY REGION ON AN "AS AND WHEN" REQUIRED  
BASIS  
FOR A PERIOD OF TWENTY FOUR (24) MONTHS**

**ANNEXURE A: B-BBEE PREFERENCE POINTS CLAIM FORM**

This preference form contains general information and serves as a claim for preference points for Broad-Based Black Economic Empowerment [B-BBEE] Status Level of Contribution.

**1. INTRODUCTION**

- 1.1 A total of 10 preference points shall be awarded for B-BBEE Status Level of Contribution.
- 1.2 Failure on the part of a Bidder to fill in and/or to sign this form and submit a B-BBEE Verification Certificate from a Verification Agency accredited by the South African Accreditation System [SANAS] or a Registered Auditor approved by the Independent Regulatory Board of Auditors [IRBA] or an Accounting Officer as contemplated in the Close Corporation Act [CCA] together with the bid will be interpreted to mean that preference points for B-BBEE Status Level of Contribution are not claimed.
- 1.3 Transnet reserves the right to require of a Bidder, either before a Bid is adjudicated or at any time subsequently, to substantiate any claim in regard to preferences, in any manner required by Transnet.

**2. GENERAL DEFINITIONS**

- 2.1 "all applicable taxes" include value-added tax, pay as you earn, income tax, unemployment insurance fund contributions and skills development levies;
- 2.2 "B-BBEE" means broad-based black economic empowerment as defined in section 1 of the Broad-Based Black Economic Empowerment Act;
- 2.3 "B-BBEE status of contributor" means the B-BBEE status received by a measured entity based on its overall performance using the relevant scorecard contained in the Codes of Good Practice on Black Economic Empowerment, issued in terms of section 9(1) of the Broad-Based Black Economic Empowerment Act;
- 2.4 "Bid" means a written offer in a prescribed or stipulated form in response to an invitation by Transnet for the provision of goods, works or services;
- 2.5 "Broad-Based Black Economic Empowerment Act" means the Broad-Based Black Economic Empowerment Act, 2003 [Act No. 53 of 2003];
- 2.6 "comparative price" means the price after the factors of a non-firm price and all unconditional discounts that can utilised have been taken into consideration;
- 2.7 "consortium or joint venture" means an association of persons for the purpose of combining

\_\_\_\_\_  
Respondent's Signature

\_\_\_\_\_  
Date & Company Stamp

their expertise, property, capital, efforts, skills and knowledge in an activity for the execution of a contract;

- 2.8 **"contract"** means the agreement that results from the acceptance of a bid by Transnet;
- 2.9 **"EME"** means any enterprise with an annual total revenue of R5 [five] million or less as per the 2007 version of the B-BBEE Codes of Good Practice and means any enterprise with an annual total revenue of R10 [ten] million or less as per the Revised Codes of Good Practice issued on 11 October 2013 in terms of Government Gazette No. 36928;
- 2.10 **"firm price"** means the price that is only subject to adjustments in accordance with the actual increase or decrease resulting from the change, imposition, or abolition of customs and excise duty and any other duty, levy, or tax, which, in terms of the law or regulation, is binding on the contractor and demonstrably has an influence on the price of any supplies, or the rendering costs of any service, for the execution of the contract;
- 2.11 **"functionality"** means the measurement according to predetermined norms, as set out in the bid documents, of a service or commodity that is designed to be practical and useful, working or operating, taking into account, among other factors, the quality, reliability, viability and durability of a service and the technical capacity and ability of a bidder;
- 2.12 **"non-firm prices"** means all prices other than "firm" prices;
- 2.13 **"person"** includes reference to a juristic person;
- 2.14 **"QSE"** means any enterprise with an annual total revenue between R5 [five] million and R35 [thirty five] million as per the 2007 version of the B-BBEE Codes of Good Practice and means any enterprise with an annual total revenue of between R10 [ten] million and R50 [fifty] million as per the Revised Codes of Good Practice issued on 11 October 2013 in terms of Government Gazette No. 36928
- 2.15 **"rand value"** means the total estimated value of a contract in South African currency, calculated at the time of bid invitations, and includes all applicable taxes and excise duties;
- 2.16 **"subcontract"** means the primary contractor's assigning or leasing or making out work to, or employing another person to support such primary contractor in the execution of part of a project in terms of the contract;
- 2.17 **"total revenue"** bears the same meaning assigned to this expression in the Codes of Good Practice on Black Economic Empowerment, issued in terms of section 9(1) of the Broad-Based Black Empowerment Act and promulgated in the Government Gazette on 9 February 2007;
- 2.18 **"trust"** means the arrangement through which the property of one person is made over or bequeathed to a trustee to administer such property for the benefit of another person; and
- 2.19 **"trustee"** means any person, including the founder of a trust, to whom property is bequeathed in order for such property to be administered for the benefit of another person.

### 3. ADJUDICATION USING A POINT SYSTEM

- 3.1 The Bidder obtaining the highest number of total points for the evaluation criteria as enumerated in Section 2 of the RFP will be awarded the contract, unless objective criteria justifies the award to another bidder.
- 3.2 Preference points shall be calculated after prices have been brought to a comparative basis taking into account all factors of non-firm prices and all unconditional discounts.
- 3.3 Points scored will be rounded off to 2 [two] decimal places.
- 3.4 In the event of equal points scored, the Bid will be awarded to the Bidder scoring the highest number of preference points for B-BBEE.
- 3.5 However, when functionality is part of the evaluation process and two or more Bids have scored equal points including equal preference points for B-BBEE, the successful Bid will be the one scoring the highest score for functionality.
- 3.6 Should two or more Bids be equal in all respect, the award shall be decided by the drawing of lots.

### 4. POINTS AWARDED FOR B-BBEE STATUS LEVEL OF CONTRIBUTION

- 4.1 In terms of the Preferential Procurement Regulations, 2011, preference points shall be awarded to a Bidder for attaining the B-BBEE status level of contribution in accordance with the table below:

B-BBEE Status Level of Contributor	Number of Points [Maximum 10]
1	10
2	9
3	8
4	5
5	4
6	3
7	2
8	1
Non-compliant contributor	0

- 4.2 Bidders who qualify as EMEs in terms of the 2007 version of the Codes of Good Practice must submit a certificate issued by an Accounting Officer as contemplated in the CCA or a Verification Agency accredited by SANAS or a Registered Auditor. Registered auditors do not need to meet the prerequisite for IRBA's approval for the purpose of conducting verification and issuing EME's with B-BBEE Status Level Certificates.
- 4.3 Bidders who qualify as EMEs in terms of the Revised Codes of Good Practice issued on 11 October 2013 in terms of Government Gazette No. 36928 are only required to obtain a sworn affidavit on an annual basis confirming that the entity has an Annual Total Revenue of R10 million or less and

\_\_\_\_\_  
Respondent's Signature

\_\_\_\_\_  
Date & Company Stamp

the entity's Level of Black ownership.

- 4.4 In terms of the 2007 version of the Codes of Good Practice, Bidders other than EMEs must submit their original and valid B-BBEE status level verification certificate or a certified copy thereof, substantiating their B-BBEE rating issued by a Registered Auditor approved by IRBA or a Verification Agency accredited by SANAS.
- 4.5 The Department of Trade and Industry recently revised the Codes of Good Practice on 11 October 2013 [Government Gazette No. 36928]. The Revised Codes will replace the Black Economic Empowerment Codes of Good Practice issued on 9 February 2007. The Revised Codes provide for a transitional period ending 30 April 2015. During the transitional period, companies may elect to be measured in terms of the Revised Codes or the 2007 version of the Codes. Companies which are governed by Sector-specific Codes will be measured in terms of those Sector Codes.
- 4.6 As such, Transnet will accept B-BBEE certificates issued based on the Revised Codes. Transnet will also continue to accept B-BBEE certificates issued in terms of the 2007 version of the Codes provided it was issued before 1 May 2015. Thereafter, Transnet will only accept B-BBEE certificates issued based on the Revised Codes.
- 4.7 In terms of the Revised Codes of Good Practice, Bidders who qualify as QSEs must comply with all the elements of B-BBEE for the purposes of measurement. QSEs that are at least 51% or 100% Black owned are only required to obtain a sworn affidavit on an annual basis confirming that the entity has an Annual Total Revenue of R50 million or less and the entity's Level of Black ownership. Large enterprises must submit their original and valid B-BBEE status level verification certificate or a certified copy thereof, substantiating their B-BBEE rating issued by a Registered Auditor approved by IRBA or a Verification Agency accredited by SANAS.
- 4.8 A trust, consortium or joint venture will qualify for points for its B-BBEE status level as a legal entity, provided that the entity submits its B-BBEE status level certificate.
- 4.9 A trust, consortium or joint venture will qualify for points for their B-BBEE status level as an unincorporated entity, provided that the entity submits their consolidated B-BBEE scorecard as if they were a group structure and that such a consolidated B-BBEE scorecard is prepared for every separate bid.
- 4.10 Tertiary institutions and public entities will be required to submit their B-BBEE status level certificates in terms of the specialised scorecard contained in the B-BBEE Codes of Good Practice.
- 4.11 A person will not be awarded points for B-BBEE status level if it is indicated in the Bid documents that such a Bidder intends subcontracting more than 25% [twenty-five per cent] of the value of the contract to any other enterprise that does not qualify for at least the same number of points that such a Bidder qualifies for, unless the intended subcontractor is an EME that has the capability and ability to execute the subcontract.
- 4.12 A person awarded a contract may not subcontract more than 25% [twenty-five per cent] of the value of the contract to any other enterprise that does not have an equal or higher B-BBEE status level than the person concerned, unless the contract is subcontracted to an EME that has the capability and ability to execute the subcontract.

\_\_\_\_\_  
Respondent's Signature

\_\_\_\_\_  
Date & Company Stamp



4.13 Bidders are to note that in terms of paragraph 2.6 of Statement 000 of the Revised Codes of Good Practice issued on 11 October 2013 in terms of Government Gazette No. 36928, any representation made by an entity about its B-BBEE compliance must be supported by suitable evidence or documentation. As such, Transnet reserves the right to request such evidence or documentation from Bidders in order to verify any B-BBEE recognition claimed.

**5. B-BBEE STATUS AND SUBCONTRACTING**

**5.1 Bidders who claim points in respect of B-BBEE Status Level of Contribution must complete the following:**

B-BBEE Status Level of Contributor \_\_\_\_\_ = \_\_\_\_\_ [maximum of 10 points]

Note: Points claimed in respect of this paragraph 5.1 must be in accordance with the table reflected in paragraph 4.1 above and must be substantiated by means of a B-BBEE certificate issued by a Verification Agency accredited by SANAS or a Registered Auditor approved by IRBA or a sworn affidavit in the case of an EME or QSE.

**5.2 Subcontracting:**

Will any portion of the contract be subcontracted? YES/NO [delete which is not applicable]

If YES, indicate:

- (i) What percentage of the contract will be subcontracted? .....
- (ii) The name of the subcontractor .....
- (iii) The B-BBEE status level of the subcontractor .....
- (iv) Is the subcontractor an EME? YES/NO

**5.3 Declaration with regard to Company/Firm**

- (i) Name of Company/Firm.....
- (ii) VAT registration number.....
- (iii) Company registration number.....
- (iv) Type of Company / Firm [TICK APPLICABLE BOX]

- Partnership/Joint Venture/Consortium
- One person business/sole propriety
- Close Corporations
- Company (Pty) Ltd

(v) Describe Principal Business Activities

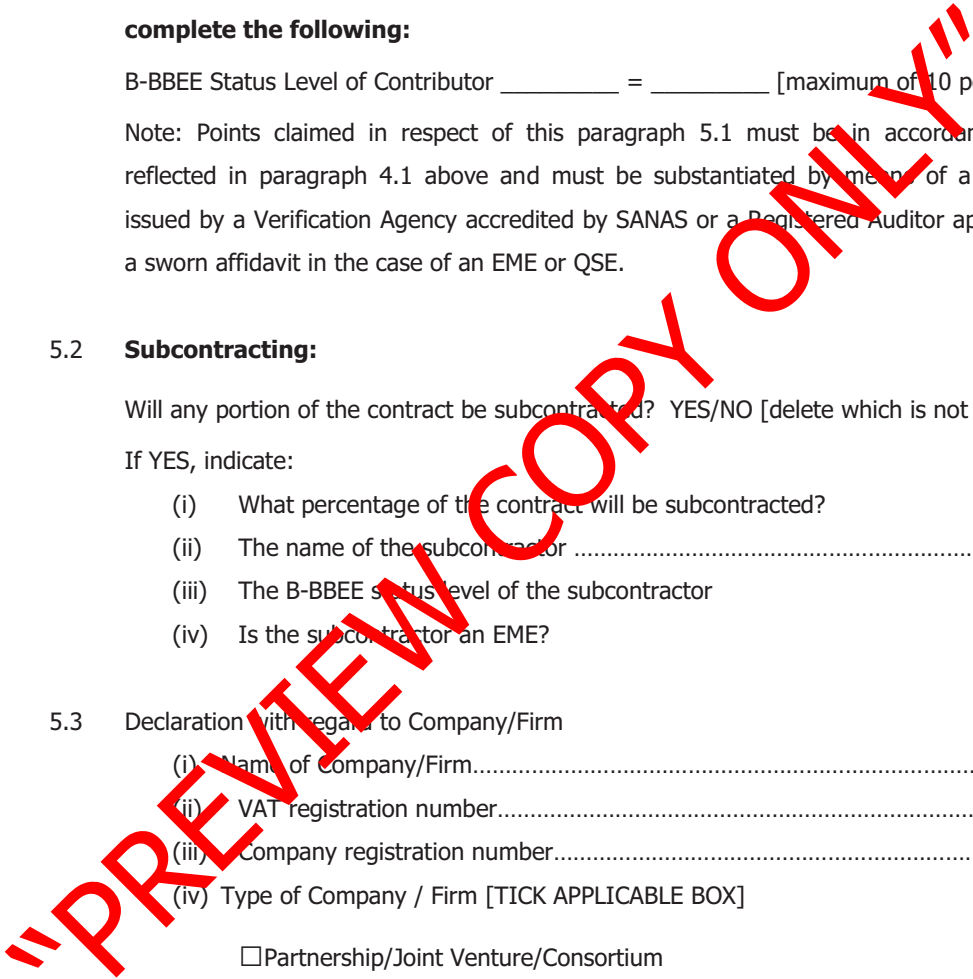
.....  
.....

(vi) Company Classification [TICK APPLICABLE BOX]

- Manufacturer

\_\_\_\_\_  
Respondent's Signature

\_\_\_\_\_  
Date & Company Stamp



- Supplier
- Professional Service Provider
- Other Service Providers, e.g Transporter, etc
- (vii) Total number of years the company/firm has been in business.....

**BID DECLARATION**

I/we, the undersigned, who warrants that he/she is duly authorised to do so on behalf of the company/firm, certify that points claimed, based on the B-BBEE status level of contribution indicated in paragraph 4 above, qualifies the company/firm for the preference(s) shown and I/we acknowledge that:

- (i) The information furnished is true and correct.
- (ii) In the event of a contract being awarded as a result of points claimed as shown in paragraph 6 above, the contractor may be required to furnish documentary proof to the satisfaction of Transnet that the claims are correct.
- (iii) If the B-BBEE status level of contribution has been claimed or obtained on a fraudulent basis or any of the conditions of contract have not been fulfilled, Transnet may, in addition to any other remedy it may have:
  - (a) disqualify the person from the bidding process;
  - (b) recover costs, losses or damages it has incurred or suffered as a result of that person's conduct;
  - (c) cancel the contract and claim any damages which it has suffered as a result of having to make less favourable arrangements due to such cancellation;
  - (d) restrict the Bidder or contractor, its shareholders and directors, and/or associated entities, or only the shareholders and directors who acted in a fraudulent manner, from obtaining business from Transnet for a period not exceeding 10 years, after the *audi alteram partem* [hear the other side] rule has been applied; and/or
  - (e) forward the matter for criminal prosecution.

**WITNESSES:**

- 1. ....
- 2. ....

SIGNATURE OF BIDDER

DATE:.....

COMPANY NAME: .....

ADDRESS:.....

**ANNEXURE B: CLAUSE-BY-CLAUSE SCHEDULE**

Criteria	Item	Yes Tick	No Tick									
<b>Compliance to specification</b>	Confirm compliance with Transnet's specification given for the goods required											
<p><b><u>COMPLIANCE WITH SPECIFICATION SCHEDULE</u></b></p> <p><b>COMPOSITE INSULATORS</b></p> <p>The compliance response is to contain ONLY the following statements, "Noted", "Comply", "Partial Compliance" or "Do not comply".</p> <p>Noted is to be applied against statements and either of the other responses for all other clauses. Where either "Partial Compliance" is inserted, remarks as to the reason for the deviation from the requirement is required.</p> <table border="1" data-bbox="169 1048 1525 1653"> <thead> <tr> <th data-bbox="169 1048 550 1144">Specification</th> <th data-bbox="550 1048 812 1144">Compliance response</th> <th data-bbox="812 1048 1525 1144">Explanation / Deviation / Reason</th> </tr> </thead> <tbody> <tr> <td data-bbox="169 1144 550 1335">SANS 121: Hot dip galvanized coating on fabricated iron and steel articles-Specifications and testing</td> <td data-bbox="550 1144 812 1335"></td> <td data-bbox="812 1144 1525 1335"></td> </tr> <tr> <td data-bbox="169 1335 550 1653">SANS 61109: Insulators for overhead line Composite suspension and tension insulators for a.c. systems voltage greater than 1000V-Defination, test methods and acceptance criteria</td> <td data-bbox="550 1335 812 1653"></td> <td data-bbox="812 1335 1525 1653"></td> </tr> </tbody> </table>				Specification	Compliance response	Explanation / Deviation / Reason	SANS 121: Hot dip galvanized coating on fabricated iron and steel articles-Specifications and testing			SANS 61109: Insulators for overhead line Composite suspension and tension insulators for a.c. systems voltage greater than 1000V-Defination, test methods and acceptance criteria		
Specification	Compliance response	Explanation / Deviation / Reason										
SANS 121: Hot dip galvanized coating on fabricated iron and steel articles-Specifications and testing												
SANS 61109: Insulators for overhead line Composite suspension and tension insulators for a.c. systems voltage greater than 1000V-Defination, test methods and acceptance criteria												

Respondent's Signature

Date & Company Stamp

**ANNEXURE C: TECHNICAL SUBMISSION/QUESTIONNAIRE**

Criteria	Item	Indicate delivery lead-time	
<b>Delivery lead-time</b>	Delivery lead time from date of award of an official purchase order to delivery to site	weeks	
<b>Submitted drawings</b>			
Criteria	Item	Yes	No
<b>Drawings of insulators indicating dimensions</b>	Drawings from the manufacturer of all the composite insulators indicating dimensions to be submitted		

"PREVIEW COPY ONLY"

\_\_\_\_\_  
 Respondent's Signature

\_\_\_\_\_  
 Date & Company Stamp

## ANNEXURE D: SPECIFICATION OF GOODS

### 1. SCOPE

The Contract will be for the supply and delivery of composite insulators for Transnet Freight Rail (RME) 25kV AC and 3kV DC overhead track equipment and 11kV distribution line.

### 2. GOODS REQUIRED:

- 11kV Vandal proof post top transmission line insulator; F-neck type: to include M20x155mm full thread spindle; Nut and flat washer: Galvanising as per specification SANS 121
- 25kV AC Tension type insulator; Material Silicon rubber; Creepage path 1476mm; Vandal proof (Composite) Square Tongue and Round Clevis; End caps galvanised as per SANS 121
- 25kV AC compression type insulator; Square tongue and pipe fitting; Creepage path 1476mm
- 25kV AC compression type; Square tongue and clevis; Creepage path 1476mm
- 3kV Strain type insulator; Vandal proof; Creepage path 400mm; Square tongue and round clevis and caps
- 25kv AC post type insulator standoff; Vandal proof; Station post

### 3. PRODUCT COMPLIANCE REQUIREMENTS:

- SANS 121: Hot dip galvanised coating on fabricated iron and steel articles-Specifications and testing.
- SANS 61109: Insulators for overhead line-Composite suspension and tension insulators for a.c. systems voltage greater than 1000V-Defination, test methods and acceptance criteria.
- Proof that the insulators comply with the required standards shall be requested and independently tested, at Transnet's cost, as and when required.

### 4. SITE REQUIREMENTS

- The contracted Supplier will be responsible for obtaining any access permits to Transnet's sites for himself, his staff and delivery vehicles.
- The trucks, truck drivers and assistants that are making the deliveries needs to comply with the various sites safety regulations and the truck drivers and assistants must at all times wear the correct PPE (Personal Protective Equipment).
- The trucks that are making the delivers must be roadworthy and also have orange construction flashing lights and reversing sirens.
- The Site Agent or Engineering Manager must certify invoices for payment after the goods has been delivered

\_\_\_\_\_  
Respondent's Signature

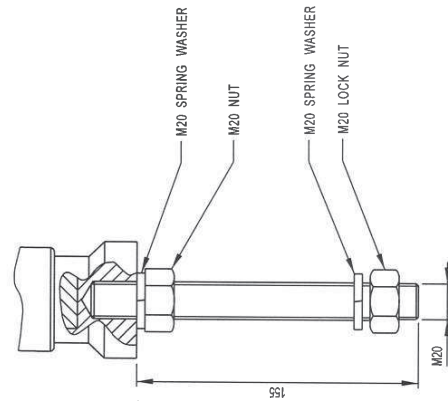
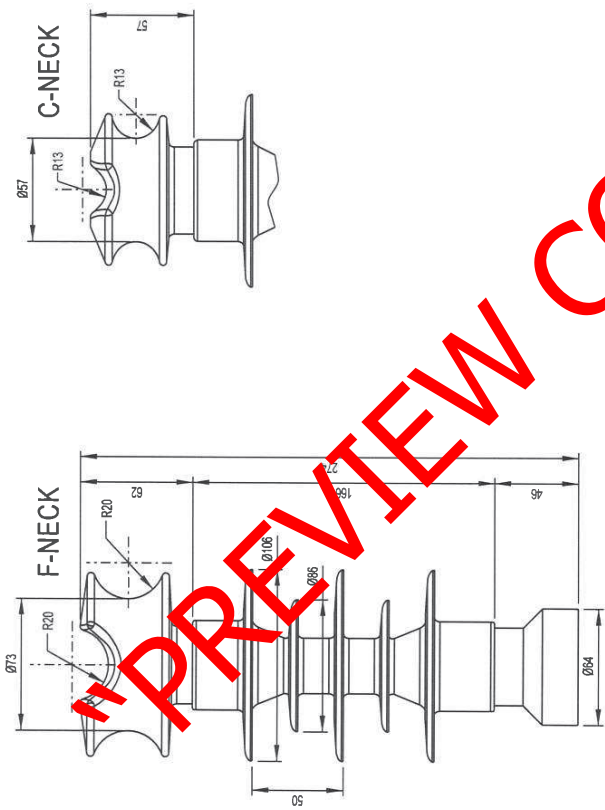
\_\_\_\_\_  
Date & Company Stamp

**ANNEXURE E – DRAWINGS**

Drawing listed as mentioned in Section 3: Quotation Form

Item	Description of Goods /Services	Drawing references
1	11kV Vandal proof post top transmission line insulator; F-neck type: To include M20x155mm full thread sprindle; Nut and flat washer: Galvanising as per specification SANS 121	<ul style="list-style-type: none"> <li>BBC8439 Rev 2</li> </ul>
2	25kV AC Tension type insulator; Material Silicon rubber; Creepage path 1476mm; Vandal proof (Composite) Square Tongue and Round Clevis; End caps galvanised as per SANS 121	<ul style="list-style-type: none"> <li>BBB0281 Rev 4</li> </ul>
3	25kV AC compression type insulator; Square tongue and pipe fitting; Creepage path 1476mm	<ul style="list-style-type: none"> <li>BBB0430 Rev. 3</li> <li>BBB0429 Rev 4</li> </ul>
4	25kV AC compression type; Square tongue and clevis; Creepage path 1476mm	<ul style="list-style-type: none"> <li>BBB430 Rev 3</li> <li>BBB0429 Rev 4</li> </ul>
5	3kV Strain type insulator; Vandal proof; Creepage path 400mm; Square tongue and round clevis and caps	<ul style="list-style-type: none"> <li>BBB0589 Rev 2</li> </ul>
6	25kV AC post type insulator stand off; Vandal proof; Station post	<ul style="list-style-type: none"> <li>BBC8438 Rev 1</li> </ul>

"PREVIEW COPY ONLY"



FULLY THREADED SPINDLE TO BE PROPERLY CEMENTED/WELDED IN BASE FITTING

TECHNICAL DATA

- = 12kV
- = 50kV
- = 175kV
- = 186mm
- = 302mm
- = 15kN
- = 5kN
- = 2/3
- = STEEL, HOT DIP GALVANIZED TO SANS 121
- = 3.5kg

- TEST VOLTAGE Um
- 50 Hz MINUTE POWER FREQUENCY WITHSTAND VOLTAGE, 50Hz, WET
- LIGHTNING IMPULSE WITHSTAND VOLTAGE, 1,250, POS.
- ARCING DISTANCE
- MINIMUM CLEARANCE DISTANCE
- SPECIFIC CANTILEVER LOAD (SCL)
- MAXIMUM DESIGN CANTILEVER LOAD (MDCL)
- NUMBER OF SHOCK TESTS
- MATERIAL OF CONTACT RING
- WEIGHT (APPROX.)

"PREVIEW COPY ONLY"



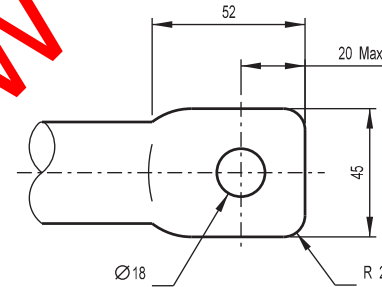
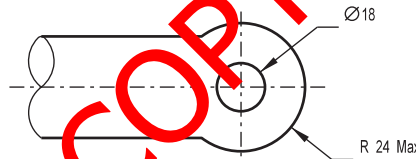
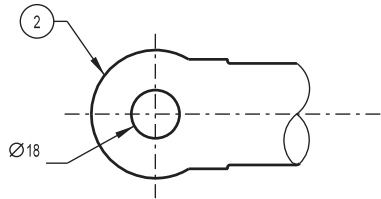
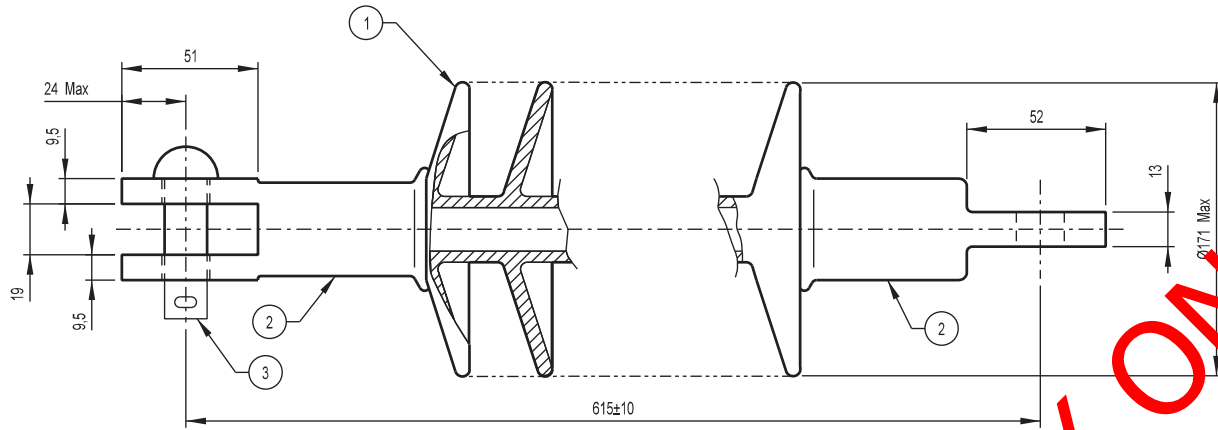
11kV AC VANDAL PROOF POST TRANSMISSION LINE INSULATOR.

DATE: \_\_\_\_\_  
APPROVED: \_\_\_\_\_  
AUTHORISED: \_\_\_\_\_

DO REF : C007883  
CP REF : BBF9102  
DRAWN : L S KEKANE  
DESIGNED : W MANS  
CHECKED : J VAN DYK

SCALE : 1 : 2  
ITEM NO : 54024883

DIMENSIONS : mm  
TOLERANCE : LIN ± 0.5 ANG ± -  
MATERIAL :  
VERSION INFO : DRAWING REVISED.



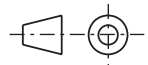
DESIGN INFORMATION  
 Minimum tensile breaking load 60kN  
 Minimum creepage path 1 476mm  
 Minimum arcing distance 420mm  
 Lightning impulse withstand voltage 250kV  
 Withstand alternating voltage under rain 95kV

TABLE A	
END CAP CONFIGURATION	STORES ITEM NO
Round clevis / Round tongue	54/032476
Round clevis / Square tongue	54/032488
Square tongue / Square tongue	54/032605

- NOTES:
- This insulator to be used for all applications in high risk areas (e.g. suspension, registration and make-off). Not to be used on compression arrangements i.e. PPO arrangements on curved tracks).
  - Insulator to be tested in accordance with IEC 1109 Standard for composite insulators.
  - Vandal proof properties of insulator to be equal or better than the "Rodurflex" traction insulators.
  - This is a typical drg only (detail shed and end fittings design to suit application).

"PREVIEW COPY ONLY"

3	Clevis pin with locking split pin, Ø16	1	54/4020	CEE-TX-66
2	End fittings: Corrosion resistant e.g. Al alloy, bronze or galv steel or holes with galv steel or stainless steel inserts	As required	-	-
1	Insulator: Ultra violet resistant, water repellant, synthetic rubber insulation e.g. silicon rubber	As required	-	-
ITEM NO	DESCRIPTION	QTY	STORES ITEM NO	DRAWING NO



© COPYRIGHT PROTECTED, PREPARED BY CENTRAL DRAWING OFFICE

DIMENSIONS : mm SCALE : NTS  
 TOLERANCE : LIN± 1 ANG± - ITEM NO : See table A  
 MATERIAL : -  
 VERSION INFO : DISTANCE OF CREEPAGE PATH WAS 1 190mm.

+ Digitally signed by  
 Willem Mans  
 Date: 2009.09.08  
 14:03:04 +02'00'  
 APPROVED

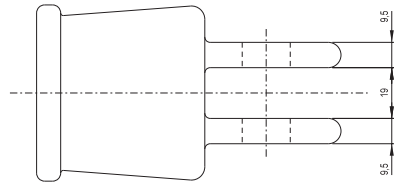
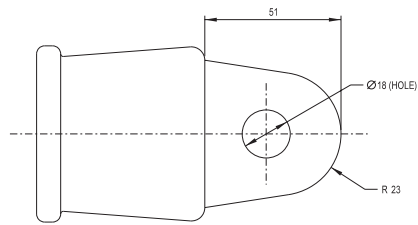
+ Digitally signed by  
 Ludwig Borchard  
 Date: 2009.09.23  
 11:07:03 +02'00'  
 AUTHORISED

VANDAL PROOF TENSION INSULATOR (COMPOSITE)  
 25kV AC; TONGUE AND CLEVIS

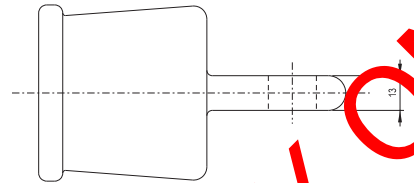
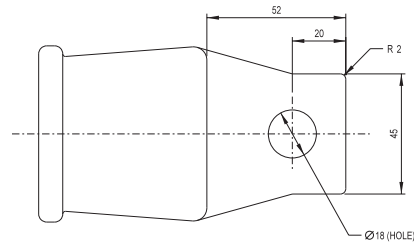
**TRANSNER**  
 freight rail  
 BBB0281  
 VERSION 4

A3

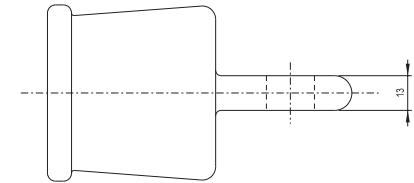
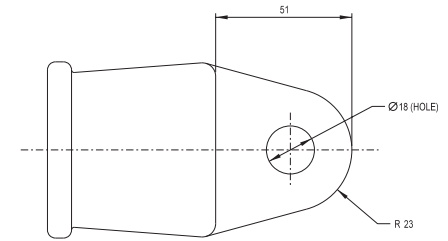




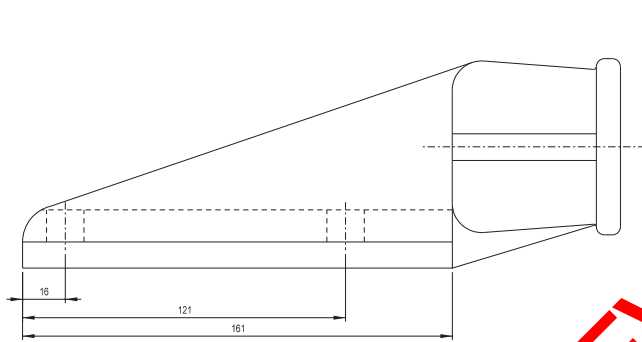
CLEVIS



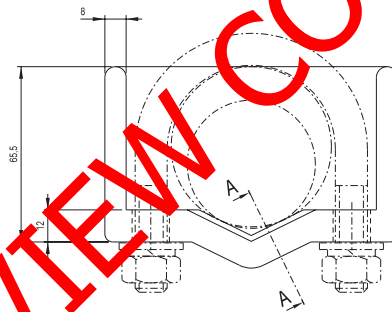
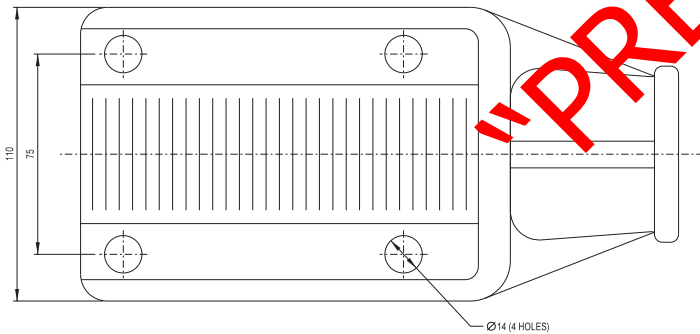
SQUARE TONGUE



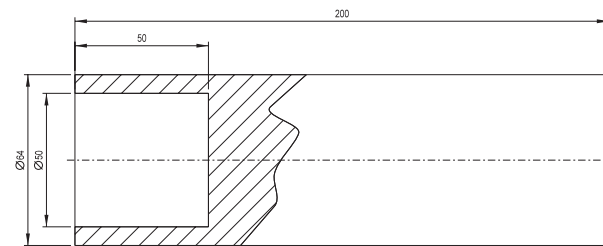
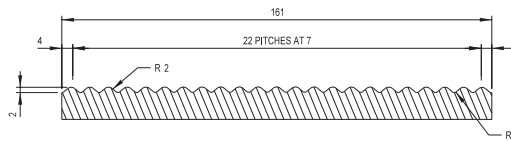
ROUND TONGUE



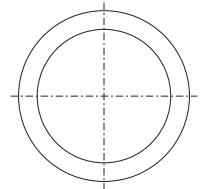
PIPE FITTING



SECTION A-A



TUBE FITTING



- NOTES
1. Internal and external dimensions of cap to suit insulator requirements and to be left to the manufacturer.
  2. The following permanent markings must appear on these articles:
    - A). Transnet
    - B). Maker's identification
    - C). Batch number
  3. Finish: Hot dip galvanise to Spec SANS 121
  4. For use with composite compression insulator. See Dwg no BBB0429 & BBB0569

"PREVIEW COPY ONLY"

© COPYRIGHT PROTECTED, PREPARED BY CENTRAL DRAWING OFFICE

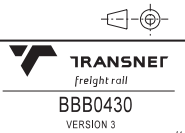
DIMENSIONS : mm SCALE : 1 : 1  
 TOLERANCE : LIN ± 1 ANG ± - ITEM NO : -  
 MATERIAL : Spheroidal graphite iron to Spec. SANS 936 grade SG 50  
 VERSION INFO : Revised, tube fitting detail added

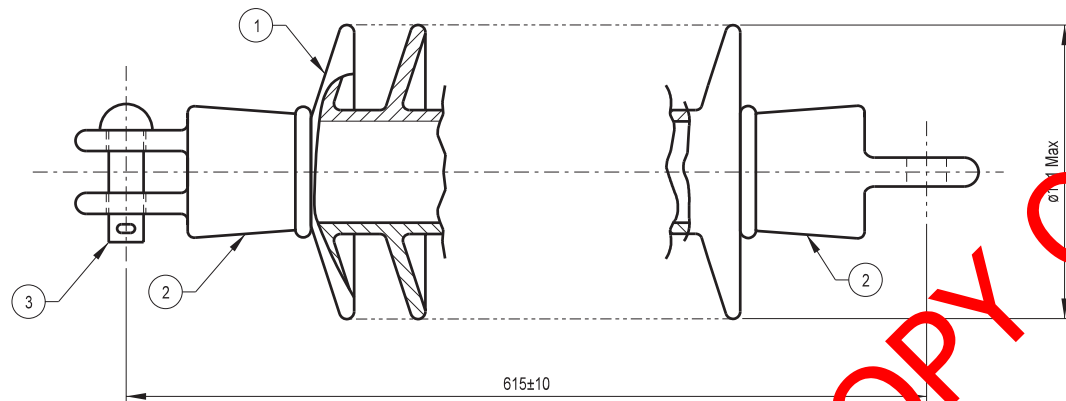
DO REF : CDO/5980  
 ECP REF : BBC8794  
 DRAWN : D.A. Ballabio  
 DESIGNED : -  
 CHECKED : J.D. van Dyk

Digitally signed by Willem Mans  
 Date: 2009.04.06 11:24:11 +02'00'  
 APPROVED

Digitally signed by Ludwig Borchard  
 Date: 2009.04.06 13:49:30 +02'00'  
 AUTHORISED

CLEVIS, TONGUE AND PIPE END FITTINGS FOR COMPOSITE  
 VANDAL PROOF COMPRESSION INSULATORS  
 3kV DC AND 25kV AC





DESIGN INFORMATION

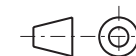
Minimum tensile breaking load	22.24kN
Minimum tensile working load	8.89kN
Compression load	23.5kN
Minimum bending load	2kNm
Minimum creepage path	1 476mm
Minimum arcing distance	420mm (Min)
Lightning impulse withstand voltage	250kV
Withstand alternating voltage under rain	95kV

NOTES:

1. This insulator to be used for all applications in high risk areas (e.g. PPO arrangements on curved tracks).
2. Insulator to be tested in accordance with IEC 1109 Standard for composite insulators.
3. Vandal proof properties of insulator to be equal or better than the "Rodurflex" traction insulators.
4. This is a typical drg only (detail shed and end fittings design to suit application).

TABLE A (SEE DRG NO BBB0430)

END CAP CONFIGURATION	STORES ITEM NO
Round tongue / Pipe fitting	54/032516
Square tongue / Pipe fitting	54/032528
Square tongue / Clevis	54/032541
Clevis / Pipe fitting	54/032553
Square tongue / Square tongue	54/032617



ITEM NO	DESCRIPTION	QTY	STORES ITEM NO	DRAWING NO
3	Clevis pin with locking split pin, ø16	1	54/004020	CEE-TX-66
2	End fittings: Corrosion resistant e.g. Al alloy, bronze or galv steel or holes with galv steel or stainless steel inserts (See table A)	As required	-	BBB0430
1	Insulator: Ultra violet resistant, water repellant, synthetic rubber insulation e.g. silicon rubber	As required	-	-

© COPYRIGHT PROTECTED. PREPARED BY CENTRAL DRAWING OFFICE

DIMENSIONS : mm SCALE : NTS  
 TOLERANCE : LIN± 1 ANG± - ITEM NO : See table A  
 MATERIAL : -  
 VERSION INFO : REDRAWN AND REVISED  
 MINIMUM CREEPAGE PATH RATIONALISED

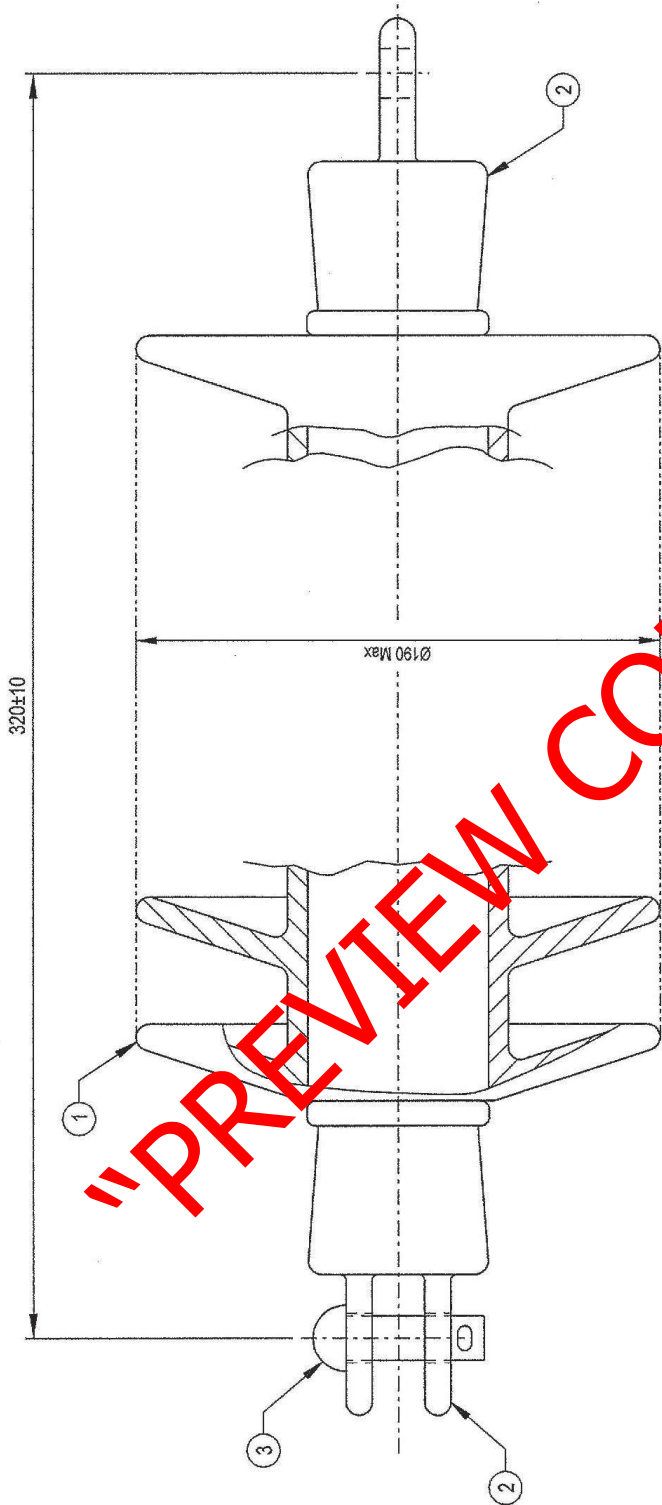
Digitally signed by  
 Willem Mans  
 Date: 2009.06.25  
 10:27:34 +02'00'  
 APPROVED

Digitally signed by  
 Ludwig Borchard  
 Date: 2009.06.29  
 10:08:39 +02'00'  
 AUTHORISED

VANDAL PROOF COMPRESSION INSULATOR (COMPOSITE)  
 25kV AC

**TRANSNET**  
 freight rail  
 BBB0429  
 VERSION 4

A3



**NOTES**

1. This insulator to be used for all applications in high risk areas (to be used on compression arrangements e.g. PPO arrangements on curved tracks).
2. Insulator to be tested in accordance with Standard IEC 1109 for composite insulators.
3. Vandal proof properties of insulator to be equal or better than the "Rodurflex" traction insulators.
4. This is a typical drawing only (detail shed and end fittings design to suit application).

**DESIGN INFORMATION**

- Minimum tensile breaking load 54kN
- Compression load 23.5kN
- Minimum bending load 6kN
- Minimum creepage path 380mm
- Minimum arcing distance 200mm
- Minimum shed spacing 20mm
- Shed spacing / overhang ratio 0.85 (Min)
- Lightning impulse withstand voltage 130kV
- Withstand alternating voltage under rain 40kV

Table A	
Square tongue / Clevis	54/32577
Square tongue / Pipe fitting	54/33825

© COPYRIGHT PROTECTED. PREPARED BY CENTRAL DRAWING OFFICE

DIMENSIONS : mm  
 TOLERANCE : LIN± - ANG± -  
 MATERIAL : -  
 VERSION INFO : Redrawn and revised  
 End fitting detail removed  
 Table "A" added

SCALE : 1 : 2  
 ITEM NO : -

DO REF : CDO/5380  
 CP REF : BBC6403  
 DRAWN : C.J. Marais  
 DESIGNED : -  
 CHECKED : JD v Dyk

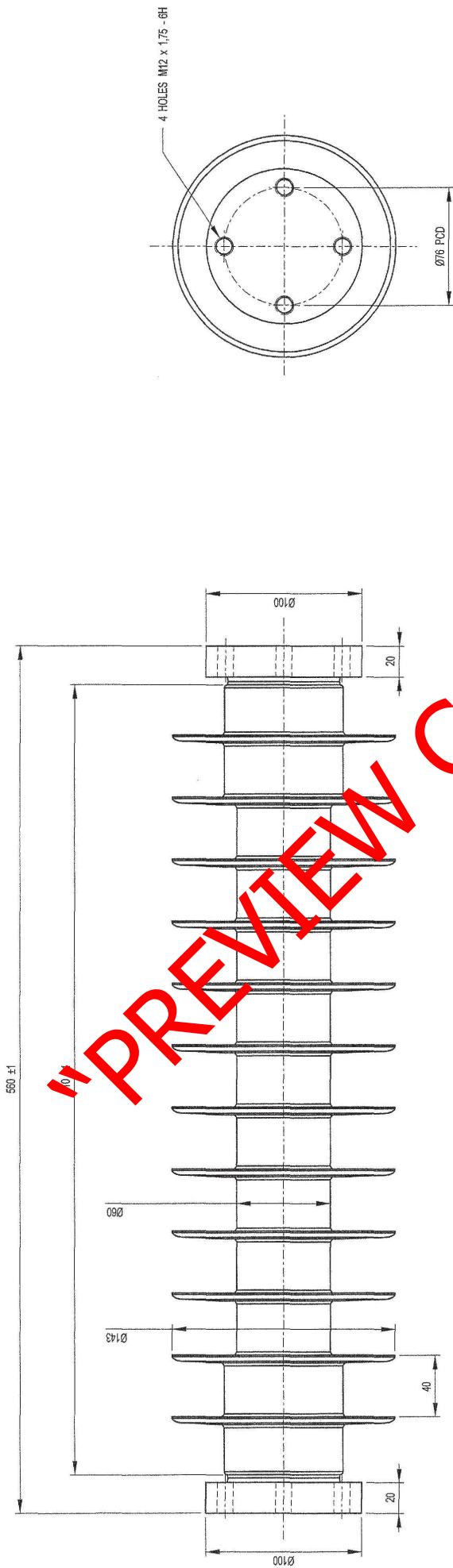
DATE: 22/05/17  
 APPROVED  
 AUTHORIZED

**VANDAL PROOF COMPRESSION INSULATOR (COMPOSITE)**  
 3KV DC

ITEM NO	DESCRIPTION	QTY	STORES ITEM NO	DRAWING NO
3	Clevis pin Ø16 with locking split pin.	As required	54/4020	CEE - TX-66
2	End fittings: Corrosion resistant e.g. Al alloy, bronze or galvanized steel (spheroidal graphite iron to spec SABS 936 grade SG 50) or holes with galvanised steel or stainless steel inserts	As required	-	BBB0430
1	Insulator: Ultra violet resistant, water repellent, synthetic rubber insulation e.g. silicon rubber	1	-	-

**SPOURNET**  
 BBB0589  
 VERSION 2

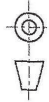
A3



"PREVIEW COPY ONLY"

**Technical Data**

- = 190kV One minute power frequency withstand voltage, 50Hz, wet
- = 260kV Lightning impulse withstand voltage, 1,2/50, pos.
- = 545mm Arcing distance
- = 1,396mm Minimum creepage distance
- = 12 Number of sheds
- = Steel, Hot Dip Galvanized to SANS 121 Material of fittings
- = 8,0kg Weight (approx.)



© COPYRIGHT PROTECTED. PREPARED BY CENTRAL DRAWING OFFICE

DIMENSIONS : mm  
TOLERANCE : LIN ± 0,5 ANG ± -  
MATERIAL :  
VERSION INFO :

DO REF : CDO/5914  
CP REF : -  
DRAWN : A KRUGER  
DESIGNED : W MANS  
CHECKED : J VAN DYK

DATE: 25/04/2008  
APPROVED  
AUTHORISED

25kV AC VANDAL PROOF POST INSULATOR.  
FOR TRACK AND SIDING SWITCHES AND UNDER BRIDGES.

### ANNEXURE F: B-BBEE IMPROVEMENT PLAN

Transnet encourages its Suppliers/Service Providers to constantly strive to improve their B-BBEE rating. Whereas Respondents will be allocated points in terms of a preference point system based on its B-BBEE scorecard, in addition to such scoring, Transnet also requests that Respondents submit a B-BBEE improvement plan. Respondents are therefore requested to indicate the extent to which their ownership, management control, Supplier Development, Preferential Procurement and Enterprise Development will be maintained or improved over the contract period.

Respondents are requested to submit their B-BBEE Improvement Plan as an additional document with their Proposals.

*Respondents are to insert their current status (%) and future targets (%) for the B-BBEE Improvement Plan [i.e. not the % change but the end-state quantum expressed as a percentage] in the table below. This will indicate how you intend to sustain or improve your B-BBEE rating over the contract period. On agreement, this will represent a binding commitment to the successful Respondent.*

*Transnet reserves the right to request supporting evidence to substantiate the commitments made in the B-BBEE Improvement Plan.*

OWNERSHIP INDICATOR	Required Responses	Current Status (%)	Future Target (%)
1. The percentage of the business owned by Black <sup>1</sup> persons.	<i>Provide a commitment based on the extent to which ownership in the hands of Black persons as a percentage of total ownership of the organisation would be sustained or increased over the contract period.</i>		
2. The percentage of your business owned by Black women.	<i>Provide a commitment based on the extent to which ownership in the hands of Black women as a percentage of total ownership of the organisation would be sustained or increased over the contract period.</i>		
3. The percentage of the business owned by Black youth <sup>2</sup> .	<i>Provide a commitment based on the extent to which ownership in the hands of Black youth as a percentage of total ownership of the organisation would be sustained or increased over the contract period.</i>		
4. The percentage of the business owned by Black persons living with disabilities	<i>Provide a commitment based on the extent to which ownership in the hands of Black disabled persons as a percentage of total ownership of the organisation would be sustained or increased over the contract period.</i>		
5. New Entrants <sup>3</sup> (Early stage business)	<i>Provide a commitment based on the extent to which new entrants will be supported over the contract period.</i>		

<sup>1</sup> "**Black**" means South African Blacks, Coloureds and Indians, as defined in the B-BBEE Act, 53 of 2003

<sup>2</sup> "**Black youth**" means Black persons from the age of 16 to 35

<sup>3</sup> "**New Entrants**" means an early stage business which is similar to a start-up. However, an early stage business is typically 3 years old or less.



MANAGEMENT CONTROL INDICATOR	Required Responses	Current Status (%)	Future Targets (%)
6. The percentage of Black Board members in relation to the total number of Board members	<i>Provide a commitment based on the extent to which the number of Black Board members, as a percentage of the total Board, would be sustained or increased over the contract period.</i>		
7. The percentage of Black female Board members in relation to the total number of Board members	<i>Provide a commitment based on the extent to which the number of Black female Board members, as a percentage of the total Board, would be sustained or increased over the contract period.</i>		
8. Black Executives directors as a percentage of all executive directors	<i>Provide a commitment based on the extent to which the number of Black executive Directors as a percentage of all Executive Directors would be sustained or increased over the contract period.</i>		
9. Black female Executives directors as a percentage of all executive directors	<i>Provide a commitment based on the extent to which the number of Black female executive Directors as a percentage of all Executive Directors would be sustained or increased over the contract period.</i>		
Other Executive Management	Required Response	Current Status (%)	Future Targets (%)
10. Black Executive Management as a percentage of all executive directors	<i>Provide a commitment based on the extent to which the number of Black executive Managers as a percentage of all Executive Directors would be sustained or increased over the contract period.</i>		
11. Black Female Executive Management as a percentage of all executive directors	<i>Provide a commitment based on the extent to which the number of Black female executive Managers as a percentage of all Executive Directors would be sustained or increased over the contract period.</i>		
Senior Management	Required Response	Current Status (%)	Future Targets (%)
12. Black employees in Senior Management as a percentage of all senior management	<i>Provide the percentage of Blacks that would be appointed or retained by the Board and would be operationally involved in the day to day <b>senior management</b> of the business, with individual responsibility for overall and/or financial management of the business and actively involved in the development and implementation of <b>overall strategy</b>, over the contract period.</i>		
13. Black female employees in Senior Management as a percentage of all senior management	<i>Provide the percentage of Black females that would be appointed or retained by the Board and would be operationally involved in the day to day <b>senior management</b> of the business, with individual responsibility for overall and/or financial management of the business and actively involved in the development and implementation of <b>overall strategy</b>, over the contract period.</i>		

RFQ for the Supply and delivery of building, plaster and coarse river (concrete) sand to the Richards Bay region on an "as and when" required basis for a period of three (3) years

**Returnable Document**

Middle Management	Required Response	Current Status (%)	Future Targets (%)
14. Black employees in Middle Management as a percentage of all middle management	<i>Provide the percentage of Blacks that would be retained or appointed by the organisation in the <b>middle management</b> cadre and would be operationally involved in the day to day management of the business, with individual responsibility for a particular area within the business and actively involved in the <b>day to day management</b> of the organisation, over the contract period.</i>		
15. Black female employees in Middle Management as a percentage of all middle management	<i>Provide the percentage of Blacks females that would be retained or appointed by the organisation in the <b>middle management</b> cadre and would be operationally involved in the day to day management of the business, with individual responsibility for a particular area within the business and actively involved in the <b>day to day management</b> of the organisation, over the contract period.</i>		
Junior Management	Required Response	Current Status (%)	Future Targets (%)
16. Black employees in Junior management as a percentage of all junior management	<i>Provide a commitment based on the extent to which the number of Black Junior Managers as a percentage of the total junior Managers, would be sustained or increased over the contract period.</i>		
17. Black female employees in Junior management as a percentage of all junior management	<i>Provide a commitment based on the extent to which the number of Black female Junior Managers as a percentage of the total junior Managers, would be sustained or increased over the contract period.</i>		
Employees with disabilities	Required Response	Current Status (%)	Future Targets (%)
18. Black employees with disabilities as a percentage of all employees	<i>Provide a commitment based on the extent to which the percentage of Black disabled employees, in relation to the total of all employees in the organisation, would be sustained or increased over the contract period.</i>		
PREFERENTIAL PROCUREMENT INDICATOR	Required Responses	Current Status (%)	Future Targets (%)
19. B-BBEE procurement spend from all Empowering Suppliers <sup>4</sup> based on the B-BBEE procurement	<i>Provide a commitment based on the extent to which B-BBEE spend from all Empowering Suppliers would be sustained or increased over the contract period.</i>		

<sup>4</sup> "Empowering Suppliers" means a B-BBEE compliant entity, which should meet at least three of the following criteria if it is a Large Enterprise or one if it is a QSE:

(a) At least 25% of cost of sales excluding labour cost and depreciation must be procured from local producers or local supplier in SA, for service industry labour cost are included but capped to 15%.

(b) Job creation - 50% of jobs created are for Black people provided that the number of Black employees since the immediate prior verified B-BBEE Measurement is maintained.

(c) At least 25% transformation of raw material/beneficiation which include local manufacturing, production and/or assembly, and/or packaging.

(d) Skills transfer - at least spend 12 days per annum of productivity deployed in assisting Black EMEs and QSEs beneficiaries to increase their operation or financial capacity.

Respondent's Signature

Date & Company Stamp

<p>recognition level as a percentage of total measured procurement spend</p>			
<p>20. 20 B-BBEE procurement spend from all Empowering Suppliers QSEs based on the applicable B-BBEE Procurement Recognition Levels as a percentage of Total Measured Procurement Spend</p>	<p><i>Provide a commitment based on the extent to which B-BBEE spend from Empowering Supplier QSEs would be sustained or increased over the contract period</i></p>		
<p>21. B-BBEE procurement spend from Exempted Micro-Enterprise based on the applicable B-BBEE procurement recognition Levels as a percentage of Total Measured Procurement Spend</p>	<p><i>Provide a commitment based on the extent to which B-BBEE spend from EMEs would be sustained or increased over the contract period</i></p>		
<p>22. B-BBEE procurement spend from Empowering Suppliers that are at least 51% black owned based on the applicable B-BBEE Procurement Recognition Levels as a percentage of Total Measured Procurement Spend</p>	<p><i>Provide a commitment based on the extent to which spend from Empowering Suppliers who are more than 51% Black-owned would be maintained or increased over the contract period.</i></p>		
<p>23. B-BBEE procurement spend from Empowering Suppliers that are at least 30% black women owned based on the applicable B-BBEE Procurement Recognition Levels as a percentage of Total Measured Procurement Spend</p>	<p><i>Provide a commitment based on the extent to which spend from Empowering Suppliers who are more than 30% Black women-owned would be maintained or increased over the contract period.</i></p>		
<p>24. B-BBEE Procurement Spent from Designated Group<sup>5</sup> Suppliers that are at least 51% Black owned</p>	<p><i>Provide a commitment based on the extent to which spend from suppliers from Designated Group Suppliers that are at least 51% Black owned would be maintained or increased over the contract period.</i></p>		

"PREVIEW COPY ONLY"

<sup>5</sup> "Designated Groups" means:

- a) unemployed black people not attending and required by law to attend an educational institution and not awaiting admission to an educational institution;
- b) black people who are youth as defined in the National Youth Commission Act of 1996;
- c) black people who are persons with disabilities as defined in the Codes of Good Practice on employment of people with disabilities issued under the Employment Equity Act;
- d) black people living in rural and under developed areas; and
- e) black military veterans who qualifies to be called a military veteran in terms of the Military Veterans Act 18 of 2011.



SUPPLIER DEVELOPMENT INDICATOR	Required Response	Current Status (%)	Future Target (%)
25. Annual value of all Supplier Development <sup>6</sup> Contributions made by the Measured entity as a percentage of the target	<i>Provide a commitment based on the percentage in your organisation's annual spend on Supplier Development initiatives, will be maintained or improved over the contract period.</i>		
ENTERPRISE DEVELOPMENT INDICATOR	Required Response	Current Status (%)	Future Target (%)
26. The organisation's annual spend on Enterprise Development <sup>7</sup> as a percentage of Net Profit after Tax [NPAT]	<i>Provide a commitment based on the retention or increase in your organisation's annual spend on Enterprise Development initiatives, as a percentage of its Net Profit after Tax, over the contract period.</i>		

"PREVIEW COPY ONLY"

<sup>6</sup> **"Supplier Development"** means monetary or non-monetary contributions carried out for the benefit of value-adding suppliers to the Measured Entity, with the objective of contributing to the development, sustainability and financial and operational independence of those beneficiaries:

(a) Supplier Development Contributions to suppliers that are Exempted Micro-Enterprises or Qualifying Small Enterprises which are at least 51% black owned or at least 51% black women owned.

Supplier Development within the context of the B-BBEE scorecard must be differentiated from Transnet's Supplier Development Initiatives. Whereas the former relates to the definition above, the latter relates to improving the socio-economic environment through initiatives that are committed to as part of a contract award that contribute to the development of a competitive supplier base in relation to a particular industry.

<sup>7</sup> **"Enterprise Development"** means monetary and non-monetary contributions carried out for the following beneficiaries, with the objective of contributing to the development, sustainability and financial and operational independence of those beneficiaries:

(a) Enterprise Development Contributions to Exempted Micro-Enterprises or Qualifying Small Enterprises which are at least 51% Black owned or at least 51% Black women owned;

**ANNEXURE G: PRICE ADJUSTMENT FOR INFLATION**

The proposed price adjustment indices are as follows.

Prices will be fixed for a duration of twelve (12) months from date of award of contract, thereafter adjusted as per below.

The proportions used to calculate the Price Adjustment Factor are:

<b>Proportion</b>	<b>Index prepared by: SEIFSA</b>
	<b>linked to index for:</b>
..... %	"F" is the "Fuel Index" and shall be Table L1: SEIFSA index of road freight costs: Fuel as sourced from Department of Minerals and Energy.
.....%	non-adjustable
.....%	Actual % increase from Suppliers
<b>1.00</b>	<b>Total sum equal to 1.00</b>

"PREVIEW COPY ONLY"