

REQUEST FOR QUOTATION

Transnet SOC Limited
Transnet RME

BOARD LIST TFR RME
TRANSNET FREIGHT RAIL - RME
PROCUREMENT DEPARTMENT
2000

Attention:
Telephone Number :
Fax Number :
Vendor Number :2004815

Quotation Deadline Date : 24.09.2015
Quotation Deadline Time : 16:00

Registration Number: 1990/000900/30
Vat Number : 4720103177

REQUEST for QUOTATION
Transnet RME
RFQ Number / Date
6000234639 / 14.09.2015
Contact Person / Telephone
Troy Stevens / 021 940 1892
Return to VAX Number/EMAIL
0115841391 / RME-TendersCapeTown@transnet.net

"PREVIEW COPY ONLY"

Item	Material	Description	RFQ Qty	Unit	Required Del date	Confirm Del date	Unit Price Excl	Total Price Excl
100010		Protection barrier	54	ea	12.10.2015			

Supply and delivery of Protection barrier

Plinth protection barrier as per attached drawing NO. 11135128 ELEC 003

Contact person:Frans Louw 0838520774

Project number 1115128

Delivery address: Bellville square stores

If you are unable to quote for this enquiry, please submit a NO QUOTE, with a short reason, if possible, for not being able to quote. Otherwise we look forward to receive your quote by the date and time stated.



REQUEST FOR QUOTATION

Transnet SOC Limited
Transnet RME
BOARD LIST TFR RME
TRANSNET FREIGHT RAIL - RME
PROCUREMENT DEPARTMENT
2000
YOUR VAT NUMBER WITH US: NOT

Registration Number: 1990/000900/30
Vat Number : 4720103177

REQUEST for QUOTATION
Transnet RME
RFQ Number / Date
6000234639 / 14.09.2015
Contact Person / Telephone
Troy Stevens / 021 940 1892
Return to VAX Number/EMAIL
0115841391 / RME-TendersCapeTown@transnet.net

Quotation Deadline Date : ²⁵24.09.2015
Quotation Deadline Time : 16:00

Attention:
Telephone Number :
Fax Number :
Vendor Number : 2004815

Delivery Address
TFR RME Cape Town
De Gatt Complex, Behind Propne
Bellville South, Cape Tow
7530

"PREVIEW COPY ONLY"

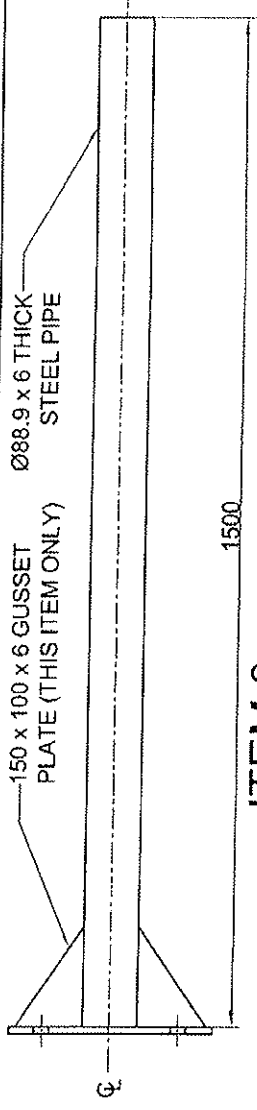
This RFQ is subject to the following conditions:

1. Price/s : The price/s quoted in SA currency and is excluding of V.A.T
2. Delivery : The price/s quoted should include delivery cost to the delivery address stated on the RFQ
3. Returnables : A valid tax clearance certificate and BBBEE certificate from a SANAS accredited verification agency attached to quotation for all quotes above R30 000.
Please note that only the official Transnet RFQ will be accepted and all other correspondence to be attached to the original
4. Safety : To confirm to Transnet Freight Rail RME Health & Safety plan and specification; HAS-std-0001, copy available on request.
5. Confirmation: To confirm your participation in this tender process please sign and return this document as immediate effect prior to the quotation deadline.
6. Negotiations: The Employer may elect to negotiate the final terms of the contract/order with the preferred tenderer in accordance with Clauses F.2.17 and F.3.13 of the CIDB Standard Conditions of Tender. A copy of which is available upon request.
7. Quotes will not be acceptable if not sending to the given fax or e-mail (please do not CC any buyer)
8. Should your company not receive any response from Transnet within 30 days of closing of a RFQ, please accept that your quotation was unsuccessful.

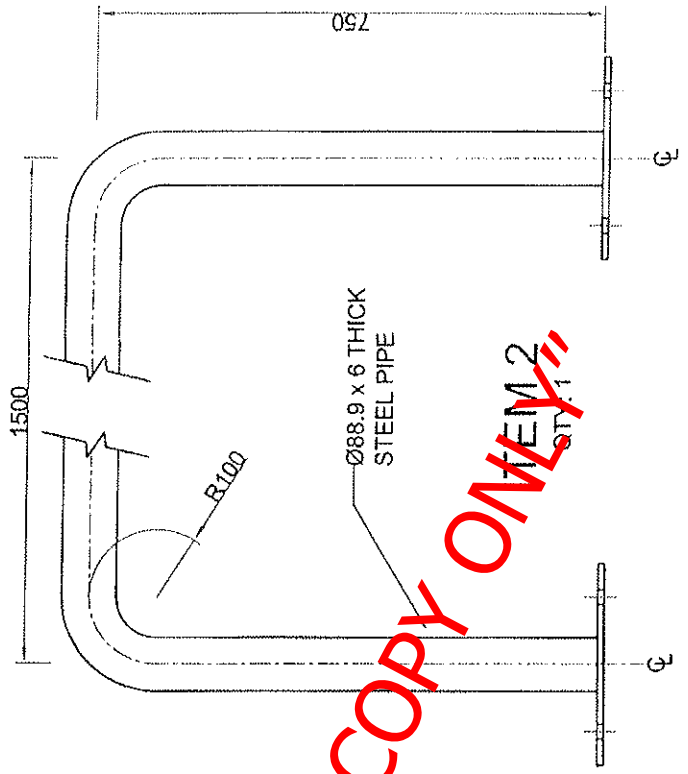
Signature _____

Date _____

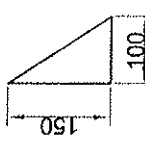
- NOTE
1. WELDING MUST BE IN ACCORDANCE TO BS 5135
 2. ALL MATERIAL MUST BE HOT DIPPED GALVANISED TO SANS 32/EN 10240, PAINTED BLACK WITH 100mm WIDE 3M YELLOW CHEVRON REFLECTOR TAPE SPACED 100mm APART



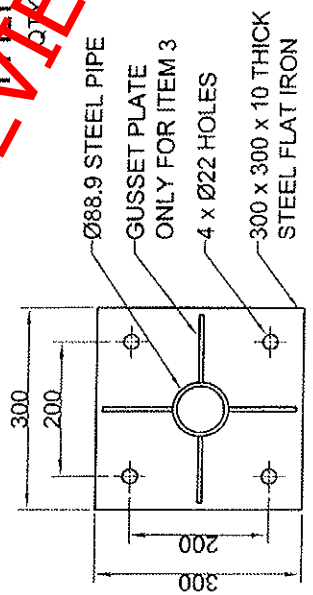
ITEM 3
QTY: 1



ITEM 2
QTY: 1



ITEM 4
QTY: 4



ITEM 1
QTY: 3

"PREVIEW COPY ONLY"

DATE		SCALE		PAPER SIZE			
07/09/2015		1:10		A4			
DRAWN BY		APPROVAL		DATE		SIGNATURE	
E.F. LOUW							
DRAWING No.				REVISION			
11135128 ELEC 003				0			
PROJECT TITLE		DRAWING TITLE					
PORT OF CAPE TOWN		PROTECTION BARRIER FOR ALL NEW PLINTH BOXES AT VARIOUS QUAYS					
REVISIONS		DATE		CHECKED		APPROVED	