



Transnet SOC Limited
Transnet RME

REQUEST FOR QUOTATION

BOARD LIST TFR RME
TRANSNET FREIGHT RAIL - RME
PROCUREMENT DEPARTMENT
2000

Registration Number: 1990/000900/06
Vat Number : 4720103177

Attention:

TFR Official Tender Board.
Telephone Number :
Fax Number :
Vendor Number :2004815

Quotation Deadline Date : 10.06.2014
Quotation Deadline Time : 12:00

REQUEST for QUOTATION

Transnet RME
RFQ Number / Date
6000199003 / 02.06.2014
Contact Person / Telephone
Eddie Quinn / 035 905 3664
Return to VAX Number/EMAIL
0865159978 / TCPtendersRichardsBay@Transnet.net

Item	Material	Description	RFQ Qty	UoM	Required Del date	Confirm Del date	Unit Price Excl	Total Price Excl
00010		Oval Copper Ferrule for	400	ea	20.06.2014			
Supply & Deliver, 400 x Oval Copper Ferrule for 10mm Dia. S/Steel Wire Lifting Rope. Deliver to: 1 Morris Road, Empangeni Rail, OHTE Store. Att: Eugene. Contact: Mr Pierre Crocker Tel: 035-905 3638 / 083 279 0437.								
00020		Swivel Clamp for 161mm	500	ea	20.06.2014			
Supply & Deliver, 500 x Swivel Clamps, for 161mm2 Contacts as per Drawing No: CEE-TN-264 (Supplied with inspection certificate.)								
00030		Knee Brace as per Drg.C	6	ea	20.06.2014			
Supply & Deliver, 6 x Knee Braces, as per Drawing No: CEE-TMC-24. Deliver to: 1 Morris Road, Empangeni Rail, OHTE Store. Att: Eugene.								



Transnet SOC Limited
Transnet RME
 BOARD LIST TFR RME
 TRANSNET FREIGHT RAIL - RME
 PROCUREMENT DEPARTMENT
 2000
 YOUR VAT NUMBER WITH US: NOT

REQUEST FOR QUOTATION

Registration Number: 1990/000900/06
Vat Number : 4720103177

Attention:
 TFR Official Tender Board.
 Telephone Number :
 Fax Number :
 Vendor Number :2004815

Quotation Deadline Date : 10.06.2014
Quotation Deadline Time : 12:00

REQUEST for QUOTATION
 Transnet RME
RFQ Number / Date
 6000199003 / 02.06.2014
Contact Person / Telephone
 Eddie Quinn / 035 905 3664
Return to VAX Number/EMAIL
 0865159978 / TCPtendersRichardsBay@Transnet.net

Item	Material	Description	RFQ Qty	UoM	Required Del date	Confirm Del date	Unit Price Excl	Total Price Excl
------	----------	-------------	---------	-----	-------------------	------------------	-----------------	------------------

Contact: Mr Pierre Crocker Tel: 035-905 3638 / 083 279 0437.

00040		Mounting Bracket for MO	8	ea	20.06.2014			
-------	--	-------------------------	---	----	------------	--	--	--

Supply and Deliver, 8 x Mounting Brackets for MOTS, as Drawing No: EME-TMC-4.
 Deliver to: 1 Morris Road, Empangeni Rail, OHTE Store. Att: Eugene.
 Contact: Mr Pierre Crocker Tel: 035-905 3638 / 083 279 0437.

00050		Back Strap as per Drg.E	8	ea	20.06.2014			
-------	--	-------------------------	---	----	------------	--	--	--

Supply & Deliver, 8 x Back Straps, as per Drawing No: EME-TMC-4.
 Deliver to: 1 Morris Road, Empangeni Rail, OHTE Store. Att: Eugene.
 Contact: Mr Pierre Crocker Tel: 035-905 3638 / 083 279 0437.

Transnet Limited t/a Transnet Freight Rail (R.M.E.) # Richards Bay, hereby invite your company to submit a detailed quotation for:

The Supply & Deliver of various OHTE Items, as requested above.

All technical queries relating to this invitation may be addressed to;



Transnet SOC Limited
Transnet RME
 BOARD LIST TFR RME
 TRANSNET FREIGHT RAIL - RME
 PROCUREMENT DEPARTMENT
 2000
 YOUR VAT NUMBER WITH US: NOT

REQUEST FOR QUOTATION

Registration Number: 1990/000900/06
Vat Number : 4720103177

Attention:

TFR Official Tender Board.
 Telephone Number :
 Fax Number :
 Vendor Number :2004815

Quotation Deadline Date : 10.06.2014
Quotation Deadline Time : 12:00

REQUEST for QUOTATION

Transnet RME

RFQ Number / Date

6000199003 / 02.06.2014

Contact Person / Telephone

Eddie Quinn / 035 905 3664

Return to VAX Number/EMAIL

0865159978 / TCPTendersRichardsBay@Transnet.net

Item	Material	Description	RFQ Qty	UoM	Required Del date	Confirm Del date	Unit Price Excl	Total Price Excl
------	----------	-------------	---------	-----	-------------------	------------------	-----------------	------------------

Mr. Pierre Crocker Tel: 035-905 3638 / 083 279 0437.

All tender related queries pertaining to this invitation may be addressed to
 Mr. Eddie Quinn, Tel: 035 # 905 3664.

The closing time for receipt of your official quotations is 12:00 hours on Tuesday, 10 June 2014.

Transnet desires a validity period of 90 (Ninety) days from the closing date of this RFQ.

Telephonic and late quotes will not be accepted.

All quotations should be clearly marked, and may be forwarded to:

Me Yogeshnie Gengan, Tender & Fax Assistant,

Fax No: 086 515 9978 and / or

e-mailed to: TCPTendersRichardsBay@transnet.net

The contractor's address and identification details have to be shown on each quotation submitted.

Please submit the following documents with your quotation;

- Valid Tax Clearance certificate.
- Copy of your latest B.B.B.E.E. Certificate.

Failing to submit any of the documents mentioned above, could result in your quotation to be disqualified / not accepted.

Note: #Transnet may not necessarily accept the lowest or any other offer and reserves the right to select in its favor any or, a portion of any offer made"



Transnet SOC Limited
 Transnet RME
 BOARD LIST TFR RME
 TRANSNET FREIGHT RAIL - RME
 PROCUREMENT DEPARTMENT
 2000
 YOUR VAT NUMBER WITH US: NOT

REQUEST FOR QUOTATION

Registration Number: 1990/000900/06
 Vat Number : 4720103177

Attention:
 TFR Official Tender Board.
 Telephone Number :
 Fax Number :
 Vendor Number :2004815

Quotation Deadline Date : 10.06.2014
Quotation Deadline Time : 12:00

REQUEST for QUOTATION
 Transnet RME
RFQ Number / Date
 6000199003 / 02.06.2014
Contact Person / Telephone
 Eddie Quinn / 035 905 3664
Return to VAX Number/EMAIL
 0865159978 / TCPtendersRichardsBay@Transnet.net

Item	Material	Description	RFQ Qty	UoM	Required Del date	Confirm Del date	Unit Price Excl	Total Price Excl
------	----------	-------------	---------	-----	-------------------	------------------	-----------------	------------------

If you have been contacted directly by the Supply Chain Office (Via a RFQ.), and you are unable to quote for these items, please submit a NO QUOTE.
 Otherwise we look forward to receive your detailed quote by the date and time stated.
 Yours faithfully.

"PREVIEW ONLY COPY"



Transnet SOC Limited
Transnet RME
 BOARD LIST TFR RME
 TRANSNET FREIGHT RAIL - RME
 PROCUREMENT DEPARTMENT
 2000
 YOUR VAT NUMBER WITH US: NOT

REQUEST FOR QUOTATION

Registration Number: 1990/000900/06
Vat Number : 4720103177

Attention:

TFR Official Tender Board.
 Telephone Number :
 Fax Number :
 Vendor Number :2004815

Quotation Deadline Date : 10.06.2014
Quotation Deadline Time : 12:00

REQUEST for QUOTATION

Transnet RME

RFQ Number / Date

6000199003 / 02.06.2014

Contact Person / Telephone

Eddie Quinn / 035 905 3664

Return to VAX Number/EMAIL

0865159978 / TCPtendersRichardsBay@Transnet.net

Delivery Address

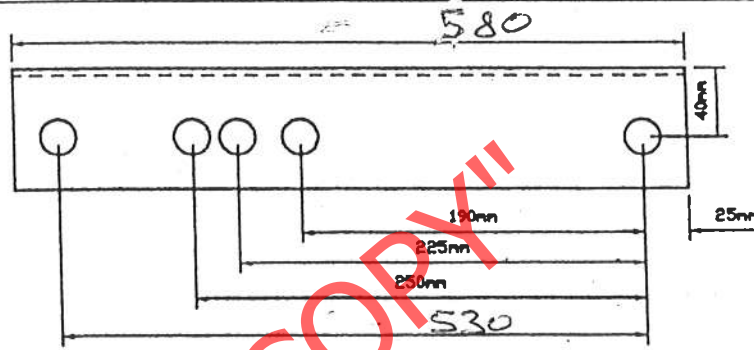
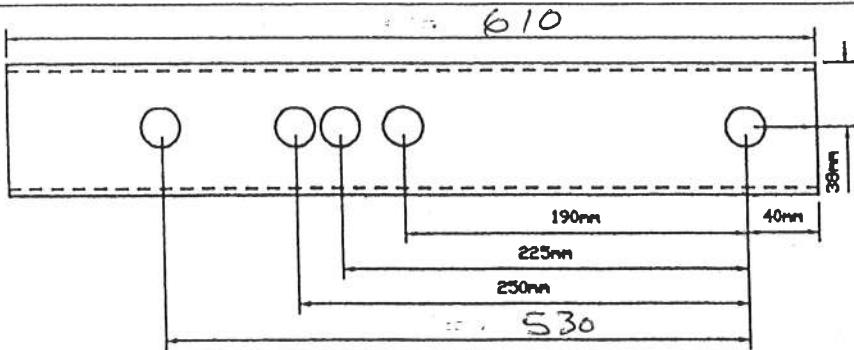
TFR RME Richards Bay
 Old Naval Base, Commodores Clo
 Meerensee, Richards Bay
 3900

This RFQ is subject to the following conditions:

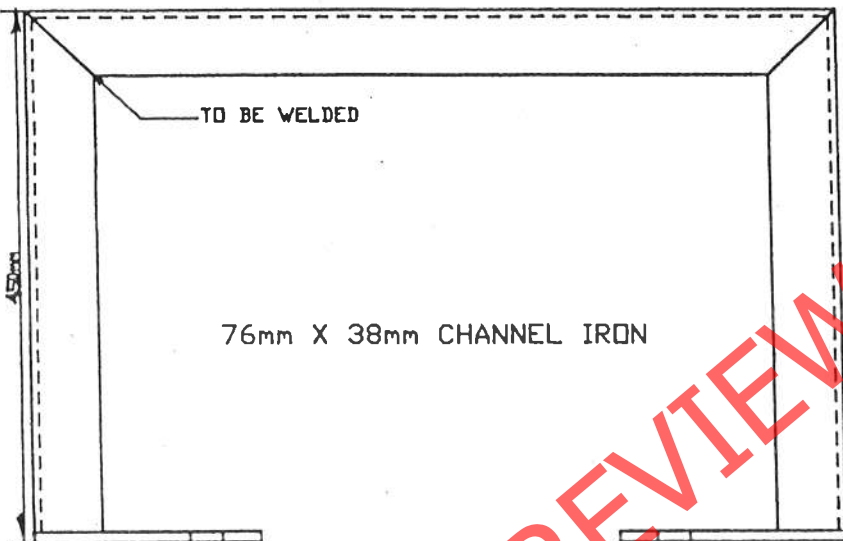
1. Price/s : The price/s quoted in SA currency and is excluding of V.A.T
2. Delivery : The price/s quoted should include delivery cost to the delivery address stated on the RFQ
3. Returnables : A valid tax clearance certificate and BBEE certificate from a SANAS accredited verification agency attached to quotation for all quotes above R30 000.
Please note that only the official Transnet RFQ will be accepted and all other correspondence to be attached to the original
4. Safety : To confirm to Transnet Capital Projects Health & Safety plan and specification; HAS-std-0001, copy available on request.
5. Confirmation: To confirm your participation in this tender process please sign and return this document as immediate effect prior to the quotation deadline.
6. Negotiations: The Employer may elect to negotiate the final terms of the contract/order with the preferred tenderer in accordance with Clauses F.2.17 and F.3.13 of the CIDB Standard Conditions of Tender. A copy of which is available upon request.

 Signature

 Date

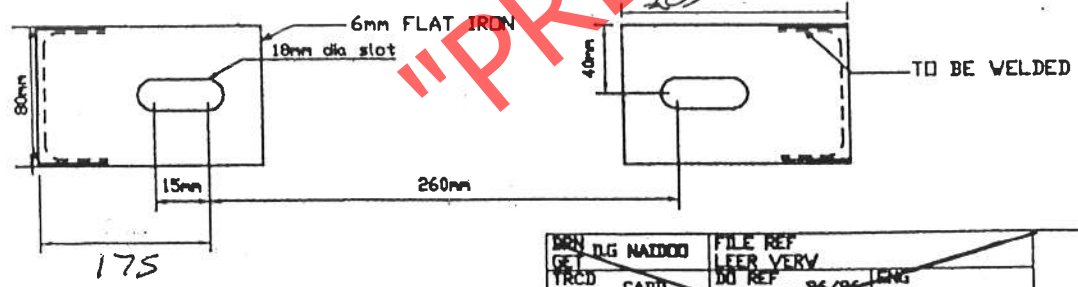


AMENDMENTS VYSIGINGS			
NO	D.D. T.K.	Ref Ver	Date Datum
1	R.NUNDOVA		96/09/02
2	00/23		00/04/10



BACK STRAP
70x70x10 STEEL ANGLE IRON

- NOTES :**
- REMOVE ALL BURRS AND SHARP EDGES
 - ALL HOLES 22 DIAMETER UNLESS OTHERWISE INDICATED
 - TO BE HOT DIP GALVANISED TO SPECIFICATIONS SABS 763

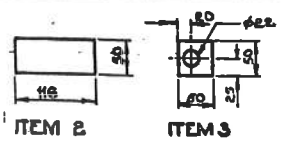


MRN D/G NAIDOO	FILE REF	
GET	LEER VERV	
TRCD	DD REF	ENG
CADD	EK-VERY	IR
NGT	DATE	96/07/08
CKD	BATUM	
NGS		
REGIONAL ENGINEER (ELECTRICAL) STREEKONINGENIEUR (ELEKTRIS)		
SPORNET		

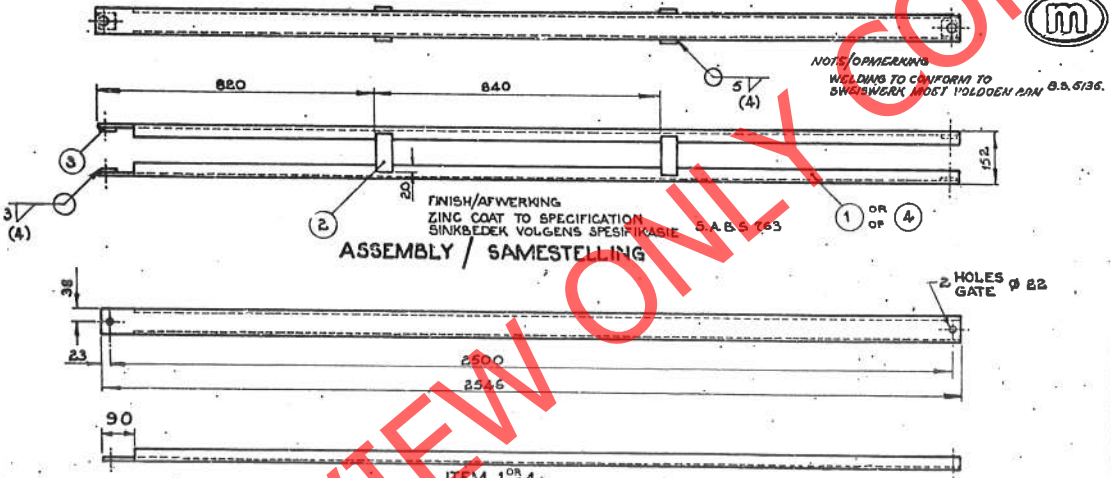
MOUNTING BRACKET FOR
M.D.T.S

DRAWING NO	EMC
TEKENING NO	EMC
	IMC-4
SHEET	OF
1	1
VAN	VAN

ORIGINAL FRAME SIZE
OORSPRONKLIKE RAAMGROOTTE 390 x 267



ITEM	DESCRIPTION - BESKRYWING	QTY.	STOCKS ITEM	DRAWING	AMENDMENTS
		NO.	MAGASINITEM	TEKENING	WYBINGINGE.
			NO.	NO.	NAME . DATE .
1.	STEEL CHANNEL STAAL KANAAL 75 x 38 x 6,3 kg/m x B545 L. SPEC. CMES SYM 8 OR COM. GRADE. SIM 8 OF HANDELSGRAAD.	2	M/11/4144		
2.	STEEL, FLAT STAAL, PLAT 50 x 10 x 1,6 L. SPEC. CMES SYM 7 OR COM. GRADE. SIM 7 OF HANDELSGRAAD.	4	M/11/12381		6 N.R. [Signature] 7/03/51
3.	STEEL, FLAT STAAL, PLAT 50 x 6 x 5,0 L. SPEC. CMES SYM 7 OR COM. GRADE. SIM 7 OF HANDELSGRAAD.	4	M/11/12279		
4.	STEEL CHANNEL STAAL KANAAL 80 x 45 x 6,4 kg/m x B545 L. SPEC. CMES SYM 8 OR COM. GRADE. SIM 8 OF HANDELSGRAAD.	2			



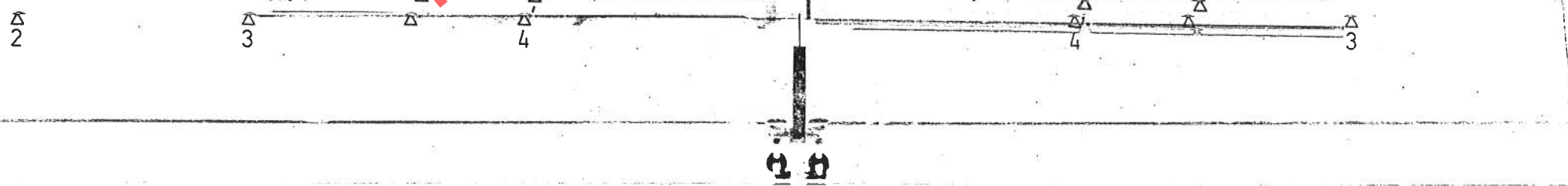
GEN. TOLERANCES / ALG. TOLERANSIES
 LIN. 0 - 499 ± 0.15
 500 - 899 ± 0.2
 900 - 1499 ± 0.25
 DIMENSIONS: MILLIMETRES.
 AFMETINGS: MILLIMETER.

KNEE BRACE FOR ALL STRAIGHT BOOMS.
 229 x 178 & 203 x 152 I-MASTS.
 203 x 203 UNIVERSAL COLUMNS.

KNIESPANSTUK VIR ALLE REGUITDWARSBALKE.
 229 x 178 & 203 x 152 I-MASTE.
 203 x 203 UNIVERSELE KOLOMME.

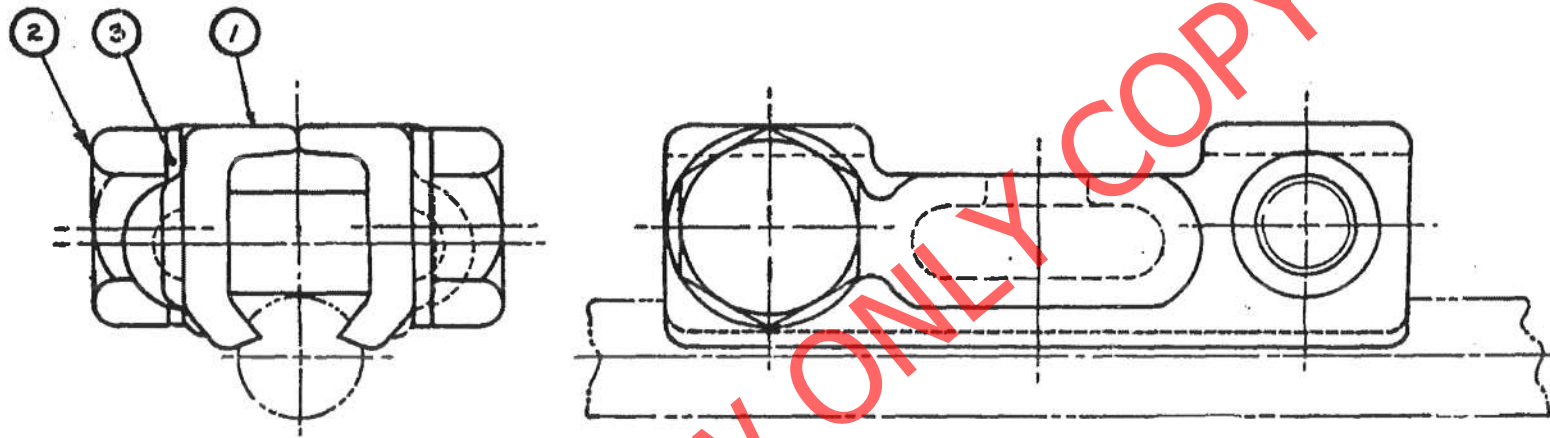
NO.	NAME .	DATE .
6	N.R. [Signature]	7/03/51
REDRAWN. TITLE CHANGED. ITEM 4 ADDED. ASSY. DRG. NO. CEE-TMG-61 ADDED OORGETEKEN. TITEL VERAN- DER. ITEM 4 BYGEVOEG. SAMSTEL. TEK. NO. CEE-TMG-61 BYGEVOEG D.O. REF. Y76/43. TK-VERW.		
7.	B. Stewart	31-05-18
CUT-OUT INCREASED FROM 90 TO 130 AND 230. UITSNYDING VERGROOT VAN 90 NA 130 EN 230. D.O. REF. T1/80/15 . TK-VERW.		
8.	B. Stewart	31-06-09
CUT-OUT CHANGED BACK TO 90 UITSNYDING TERUG NA 90. VERANDER. D.O. REF. T1/81/29 TK-VERW.		
CEE TMG 61 CEE TMG 51 CEE TMG 40 CLASS-ASSY DRG. KLAS-SAMSTEL-TEK. DRAWING NO. CEE TMC-24		

A3 CHIEF ELECTRICAL ENGINEER S.R. JOHANNESBURG.
 A4 ELEKTROTEGNIESE HOOFINGENIEUR. S.A.B. JOHANNESBURG.



ITEM	DESCRIPTION - BESKRYWING	QTY. HVLD.	STORES MAGASYN NO.	DRG. NO. CEE-TEK.	AMENDMENTS WYSIGINGS		
1	CHEEK. WANG.	2	---	TN-268	NO.	NAME NAAM	DATE DATUM
* 2	SCREW, HEX. HEAD SKROEF, SESKANT-KOP Cu, Ni, Si. M10 x 35 L	2	54/3657	---	6	G.J.A	88-07-01
* 3	WASHER, LOCKING, INTERNAL TOOTH WASTER, SLUIT, BINNETAND M10	2	54/2688	---	AISI GR 304 WAS CME-131 DO REF T88/40 TK-VERW		

* SEE NOTE 2
KYK OPM 2

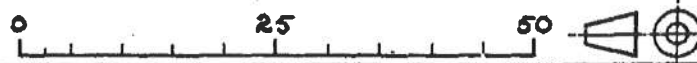


NOTE - OPMERKING

- THE COPYRIGHT FOR THIS DESIGN IS HELD BY BRITISH INSULATED CALLENDERS CONSTRUCTION CO. LTD. COPYRIGHT © 197
SEE BICC DRG. NO. SEV/123/5.
DIE KOPIEREG VIR HIERDIE ONTWERP WORD DEUR "BRITISH INSULATED CALLENDERS CONSTRUCTION CO. LTD." VOORBEHOU
KOPIEREG © 197 KYK BICC. TEK. NO. SEV/123/5.
- ITEM 2&3 ALTERNATIVE MATERIAL: STAINLESS STEEL TO SPEC. AISI GR 304
ALTERNATIEWE MATERIAAL: VLEKVRYSSTAAL VOLG SPES.

DIMENSIONS: MILLIMETRES.
AFMETINGS: MILLIMETER.

SOUTH AFRICAN TRANSPORT SERVICES.
SUID-AFRIKAANSE VERVOERDIENSTE.



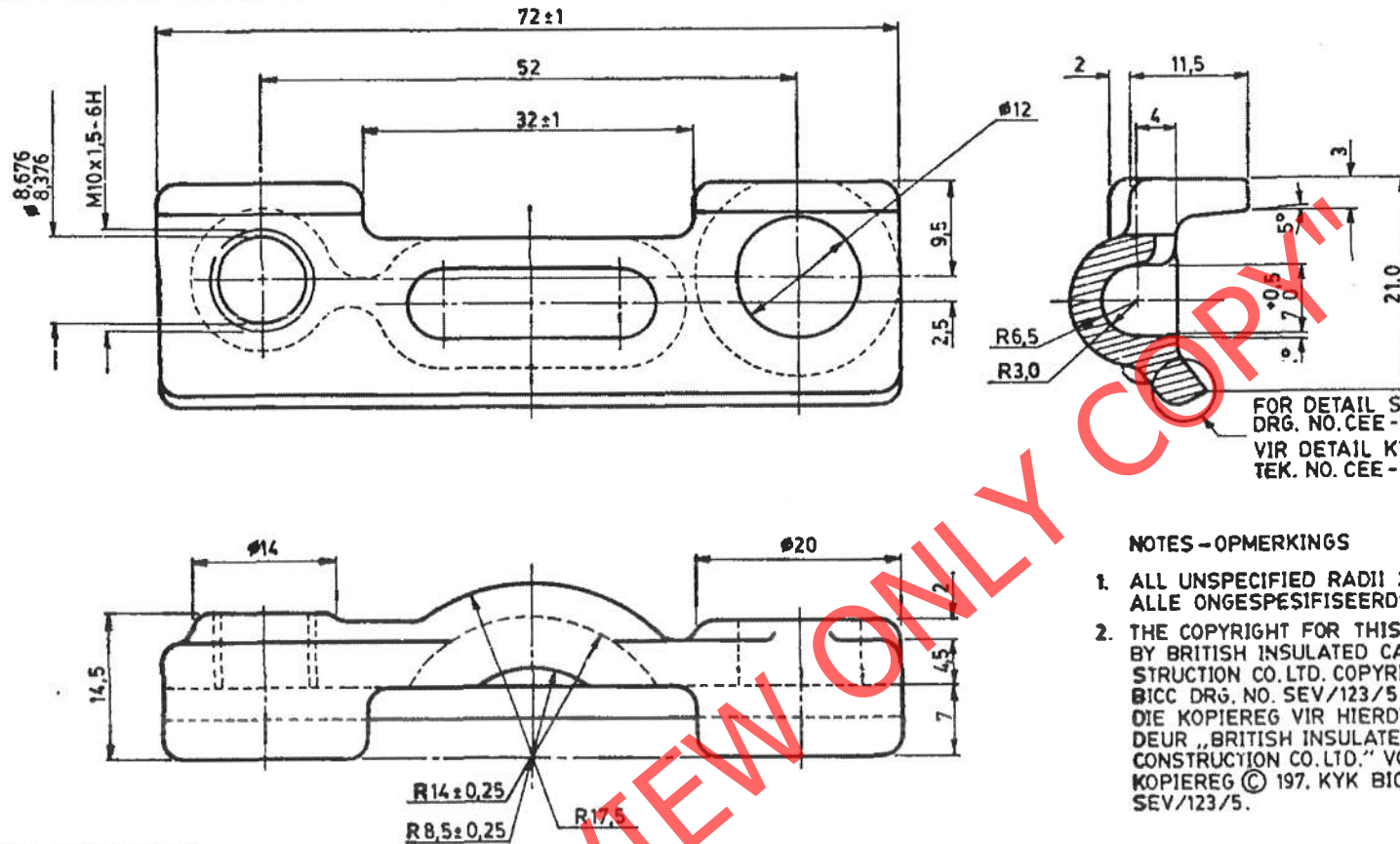
DRN. MVERMEULEN GET.	GEN. TOLERANCES: LIN ± ALG. TOLERANSIES: ANG. HOEK ±	_____
TRCD. MVERMEULEN NGT.	DO REF. T1/S1/15 TK-VERW	ENG. _____ IR.
CKD. B. STEWART NGS.	DATE 91-03-04 DATUM	G.A. WILLIAMS
CHIEF ELECTRICAL ENGINEER ELEKTRIESE HOOFINGENIEUR		JOHANNESBURG

CLAMP, ELECTRICAL ASSEMBLY.
161mm² CONTACT WIRE.
KLAMP, ELEKTRIES. SAMESTEL.
161mm² BYDRAAD.
ELECTRIFICATION TYPES / ELEKTRIFIKASIE TIEPES: F, G, H.

CEE-TMG-98, 100, 101, 102
CEE-TMG-108, 109, 110, 111
CEE-TP-171, 178
ASSY DRG. SAMEST-TEK.

STORES MAGASYN
ITEM NO
54/11643

DRAWING TEKENING NO CEE-
TN-264



FOR DETAIL SEE
DRG. NO. CEE-TA-184.
VIR DETAIL KYK
TEK. NO. CEE-TA-184.

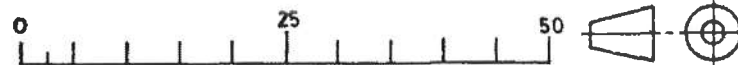
NOTES - OPMERKINGS

1. ALL UNSPECIFIED RADII 2mm.
ALLE ONGESPEFISEERDE RADIUSSE 2mm.
2. THE COPYRIGHT FOR THIS DESIGN IS HELD
BY BRITISH INSULATED CALLENDERS CON-
STRUCTION CO. LTD. COPYRIGHT © 197. SEE
BICC DRG. NO. SEV/123/5.
DIE KOPIEREG VIR HIERDIE ONTWERP WORD
DEUR „BRITISH INSULATED CALLENDERS
CONSTRUCTION CO. LTD.” VOORBEHOU
KOPIEREG © 197. KYK BICC TEK. NO.
SEV/123/5.

DIMENSIONS : MILLIMETRES
AFMETINGS : MILLIMETER

MATERIAL - MATERIAAL

CASTING Cu-Ni-Si ALLOY.
GIETSTUK ALLOOI.
SPEC. CEE-0063-85.
STORES ITEM No. _____
MAGASYNITEM



AMENDMENTS
WYSIGINGS

NO.	NAME NAAM	DATE DATUM
7.	<i>Plong</i>	86/05/28

DIMENSIONS REVISED AND
REDRAWN.
AFMETINGS HERSIEN EN
OORGETEKEN.
D O REF T86/14
TK-VERW

CEE-TN-264
CLASS/ASSY. DRG.
K1 AS/SAMEST.-TEK.
MODULUS ITEM NO.
(M) 54/11618

PREVIOUS ITEM NO.
VORIGE

DRAWING NO. CEE-
TEKENING TN-268

SHEET OF
VEL OF
VAN

DRN. GET. M. VERMEULEN	GEN. TOLERANCES: LIN. ± 0,5 ALG. TOLERANSIES: ANG/HOEK ± 0° 15'	
TRCD. NGT. W. F. MANS	D.O. REF. TK-VERW T1/80/15	ENG. IR
CKD. NGS. B. STEWART	DATE DATUM 81-03-04	G. A. WILLIAMS for. ns.
CHIEF ELECTRICAL ENGINEER ELEKTRIESE HOOFINGENIEUR JOHANNESBURG		
SOUTH AFRICAN TRANSPORT SERVICES SUID-AFRIKAANSE VERVOERDIENSTE		

ELECTRIFICATION TYPES : E, F, G AND H
CLAMP, ELECTRICAL
161 mm² CONTACT WIRE
ELEKTRIFIKASIE TIPES : E, F, G EN H
KLAMP, ELEKTRIES
161 mm² RYDRAAD