



Transnet SOC Limited
Transnet RME

REQUEST FOR QUOTATION

BOARD LIST TFR RME
 TRANSNET FREIGHT RAIL - RME
 PROCUREMENT DEPARTMENT
 2000

Registration Number: 1990/000900/30
 Vat Number : 4720103177

Attention:
 TFR Tender Board - JHB.
 Telephone Number :
 Fax Number :
 Vendor Number :2004815

Quotation Deadline Date : 03.02.2015
Quotation Deadline Time : 12:00

REQUEST for QUOTATION
 Transnet RME
RFQ Number / Date
 6000216426 / 27.01.2015
Contact Person / Telephone
 Eddie Quinn / 035 906 7347
Return to FAX Number/EMAIL
 0865 159978 / TCPtendersRichardsBay@Transnet.net

PREVIEW COPY

Item	Material	Description	RFQ Qty	Unit	Required Del date	Confirm Del date	Unit Price Excl	Total Price Excl
00010		Pin, Straight, Headed 16	1500	ea	16.02.2015			
Supply & Deliver, 1500 x Pins, Straight, Headed, 16mm Dia x 60mm Long, Material: S/Steel 304, Complete with S/Steel (304) Locking Split Pin, as per the attached Drawing No: CEE-TX-66. Delivered to: OHTE Store, 1 Morris Rd, Old Goods Shed, Empangeni Rail. Contact: Mr Pierre Crocker Tel: 083 279 0437 / 035-905 3638.								
00020		Pin, Straight, Headed 2	80	ea	16.02.2015			
Supply & Deliver, 80 x Pins, Straight, Headed, 24mm Dia x 76mm Long, Material: (304) S/Steel, Complete with S/Steel (304) Locking Pins, as per the attached Drawing No: CEE-TX-59. Delivered to: OHTE Store, 1 Morris Rd, Old Goods Shed, Empangeni Rail. Contact: Mr Pierre Crocker Tel: 083 279 0437 / 035-905 3638.								

Transnet Limited t/a Transnet Freight Rail (R.M.E.) # Richards Bay, hereby invite your company to submit a detailed quotation for:



Transnet SOC Limited
Transnet RME
 BOARD LIST TFR RME
 TRANSNET FREIGHT RAIL - RME
 PROCUREMENT DEPARTMENT
 2000
 YOUR VAT NUMBER WITH US: NOT

REQUEST FOR QUOTATION

Registration Number: 1990/000900/30
Vat Number : 4720103177

Attention:
 TFR Tender Board - JHB.
 Telephone Number :
 Fax Number :
 Vendor Number :2004815

Quotation Deadline Date : 03.02.2015
Quotation Deadline Time : 12:00

REQUEST for QUOTATION
 Transnet RME
RFQ Number / Date
 6000216426 / 27.01.2015
Contact Person / Telephone
 Eddie Quinn / 035 906 7347
Return to FAX Number/EMAIL
 0865 159978 / TCPtendersRichardsBay@Transnet.net

Item	Material	Description	RFQ Qty	UoM	Required Del date	Confirm Del date	Unit Price Excl	Total Price Excl
------	----------	-------------	---------	-----	-------------------	------------------	-----------------	------------------

The Supply & Deliver of two types S/Steel (304) Pins. (As requested above.)

All technical queries relating to this invitation may be addressed to;
 Mr. Pierre Crocker Tel: 083 279 0437 / 035-905 3638.

All tender related queries pertaining to this invitation may be addressed to;
 Mr. Eddie Quinn, Tel: 035 # 905 3664.

The closing time for receipt of your official quotations is 12:00 hours on Tuesday, 03 February 2015.

Transnet desires a validity period of 90 (Ninety) days from the closing date of this RFQ.

Telephonic and late quotes will not be accepted.
 All quotations should be clearly marked, and may be forwarded to:
 Me Yogeshnie Gengan, Tender & Fax Assistant,
 Fax No: 086 515 9978 and / or
 e-mailed to: TCPtendersRichardsBay@transnet.net

The contractor's address and identification details have to be shown on each quotation submitted.

- Please submit the following documents with your quotation;
- Valid Tax Clearance certificate.
 - Copy of your latest B.B.B.E.E. Certificate.

N.B.



Transnet SOC Limited
 Transnet RME
 BOARD LIST TFR RME
 TRANSNET FREIGHT RAIL - RME
 PROCUREMENT DEPARTMENT
 2000
 YOUR VAT NUMBER WITH US: NOT

REQUEST FOR QUOTATION

Registration Number: 1990/000900/30
 Vat Number : 4720103177

Attention:
 TFR Tender Board - JHB.
 Telephone Number :
 Fax Number :
 Vendor Number :2004815

Quotation Deadline Date : 03.02.2015
Quotation Deadline Time : 12:00

REQUEST for QUOTATION
 Transnet RME
RFQ Number / Date
 6000216420 / 27.01.2015
Contact Person / Telephone
 Eddie Quinn / 055 906 7347
Return to FAX Number/EMAIL
 0865 1599 78 / TCPtendersRichardsBay@Transnet.net

Item	Material	Description	RFQ Qty	UoM	Required Del date	Confirm Del date	Unit Price Excl	Total Price Excl
------	----------	-------------	---------	-----	-------------------	------------------	-----------------	------------------

Failing to submit any of the documents mentioned above, could result in your quotation to be disqualified / not accepted. **!!!**

Note: #Transnet may not necessarily accept the lowest or any other offer and reserves the right to select in its favor any or, a portion of any offer made"

If you have been contacted directly by the Supply Chain Office (Via a RFQ.), and you are unable to quote for these items, please submit a NO QUOTE.

Otherwise we look forward to receive your detailed quote by the date and time stated.

Yours faithfully,

"PREVIEW COPY ONLY"



Transnet SOC Limited
Transnet RME
 BOARD LIST TFR RME
 TRANSNET FREIGHT RAIL - RME
 PROCUREMENT DEPARTMENT
 2000
 YOUR VAT NUMBER WITH US: NOT

REQUEST FOR QUOTATION

Registration Number: 1990/000900/30
 Vat Number : 4720103177

Attention:

TFR Tender Board - JHB.
 Telephone Number :
 Fax Number :
 Vendor Number :2004815

Quotation Deadline Date : 03.02.2015
Quotation Deadline Time : 12:00

REQUEST for QUOTATION

Transnet RME

RFQ Number / Date

6000216420 / 27 01 2015

Contact Person / Telephone

Eddie Quinn / 055 906 7347

Return to FAX Number/EMAIL

0865 159978 / TCPtendersRichardsBay@Transnet.net

Delivery Address

TFR RME Richards Bay
 Old Naval Base, Commodores Clo
 Meerensee, Richards Bay
 3900

This RFQ is subject to the following conditions:

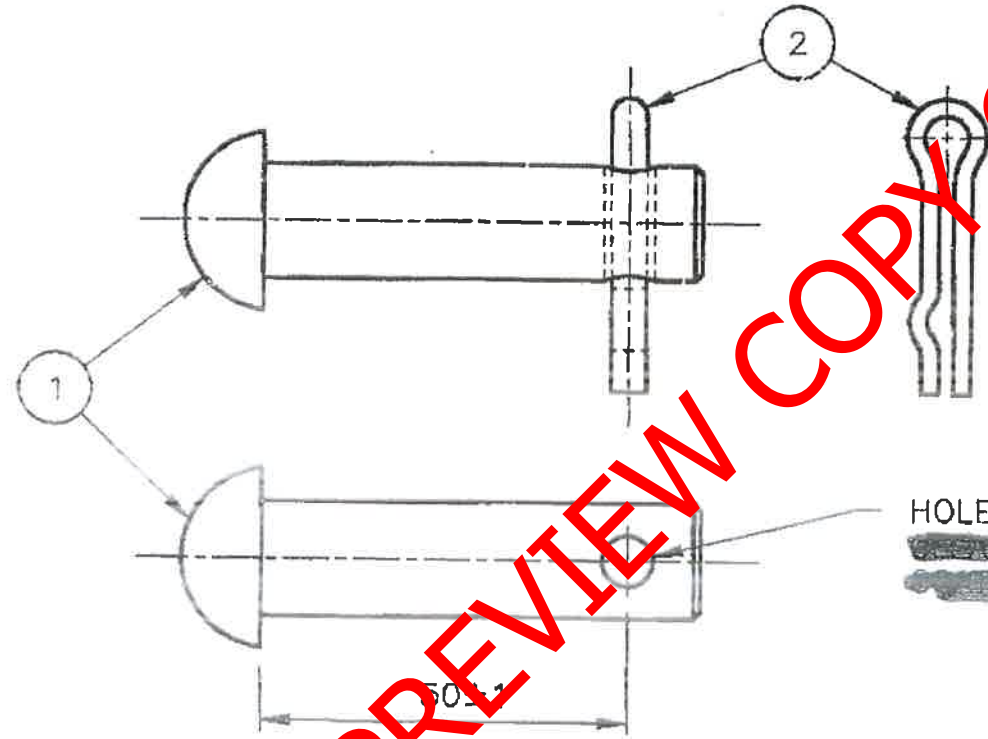
1. Price/s : The price/s quoted in SA currency and is excluding of V.A.T.
2. Delivery : The price/s quoted should include delivery cost to the delivery address stated on the RFQ
3. Returnables : A valid tax clearance certificate and BBBEE certificate from a SANAS accredited verification agency attached to quotation for all quotes above R30 000.
Please note that only the official Transnet RFQ will be accepted and all other correspondence to be attached to the original
4. Safety : To confirm to Transnet Freight Rail Health & Safety plan and specification; HAS-std-0001, copy available on request.
5. Confirmation: To confirm your participation in this tender process please sign and return this document as immediate effect prior to the quotation deadline.
6. Negotiations: The Employer may elect to negotiate the final terms of the contract/order with the preferred tenderer in accordance with Clauses F.2.17 and F.3.13 of the CIDB Standard Conditions of Tender. A copy of which is available upon request.
7. Quotes will not be acceptable if not sending to the given fax or e-mail (please do not CC any buyer)
8. Should your company not receive any response from Transnet within 30 days of closing of a RFQ, please accept that your quotation was unsuccessful.

Signature

Date

Rev. 1024,0989

ITEM	DESCRIPTION	QTY	STORES ITEM NO	DRG NO CEE--	AMENDMENTS
1	RIVET, STEEL, SNAP HEAD, $\phi 16$ x 60 LG	1	01/22722		NO NAME DATE
2	LOCKING SPLIT PIN	1	54/3734	TX-54	3 J v DyK 94/8/4



FINISH
~~XXXXXXXXXXXXXXXXXXXX~~
~~XXXXXXXXXXXXXXXXXXXX~~
~~XXXXXXXXXXXXXXXXXXXX~~

HOLE $\phi 7$ DRILL
~~XXXXXXXXXXXXXXXXXXXX~~
~~XXXXXXXXXXXXXXXXXXXX~~

DIMENSION 50 WAS 46. TOL REVISED. ITEM 1 STORES ITEM NO WAS 01/22710. DO REF T94/046

STORES ITEM NO. 54/4020

DIMENSIONS: mm
 SCALE: 1:1

A4

DRG NO CEE--
 TX-66

SHT — OF —

T0000639

DO REF: C84/70	GEN TOL: LIN ± 0.5	ANG \pm —
DRN: G.J. v G.	CKD: I.T.	DATE: 70-09-09
ENG: —	T.C. BROOK	for CHIEF ENG

INFRASTRUCTURE
 (ELECTRICAL)

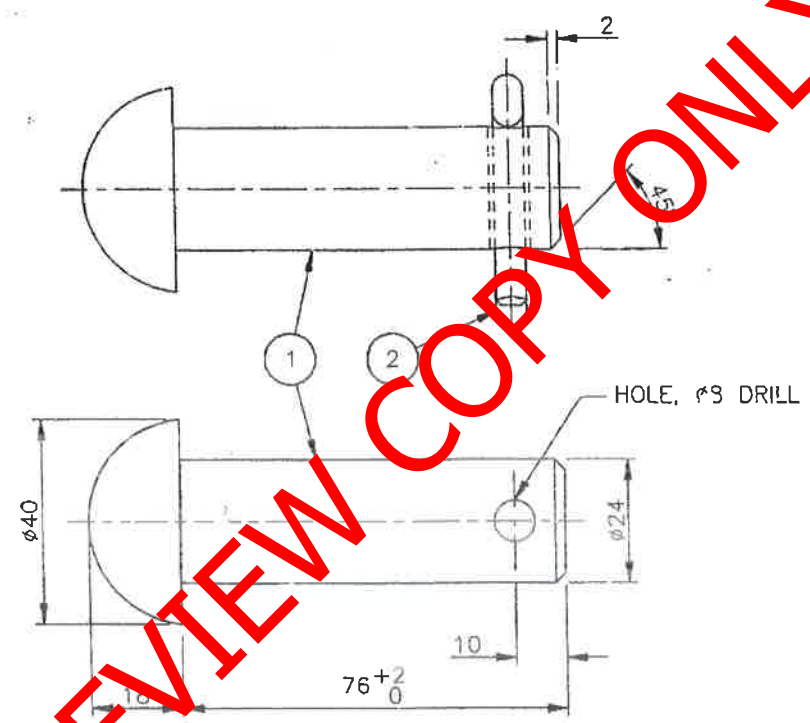


PIN, STRAIGHT, HEADED, $\phi 16$
 WITH LOCKING SPLIT PIN

REQ. 10440990

ITEM	DESCRIPTION	QTY	STORES ITEM NO	DRG NO CEE-	AMENDMENTS		
1	PIN, STRAIGHT, HEADED, STEEL STEEL, $\phi 24$ *	1	1/		NO	NAME	DATE
2	PIN, COTTER, BRASS, $\phi 6,3 \times 36$ LG	1	54/3795		3	JVT	97-09-05

DRAWING REVISED.
DO REF: T96/021



"PREVIEW COPY ONLY"

* FINISH

STORES ITEM NO
54/4007

DIMENSIONS: mm
SCALE: 1:1

A3

DRAWING NO CEE-
TX-59

SHEET — OF —

DO REF: C227/68	GEN TOL: LIN \pm 0.5	ANG \pm 1°
DRN: M.K.	CKD: F.W.C.	DATE: 69-04-18
ENG: R.C.K.	W ROGERS for CHIEF ENG	

PIN, STRAIGHT, HEADED, $\phi 24 \times 76$ LG

COMPLETE WITH COTTER PIN.

INFRASTRUCTURE (ELECTRICAL) SPOORNET