



Transnet SOC Limited
Transnet RME

REQUEST FOR QUOTATION

BOARD LIST TFR RME
 TRANSNET FREIGHT RAIL - RME
 PROCUREMENT DEPARTMENT
 2000

Registration Number: 1990/000900/06
Vat Number : 4720103177

Attention:

 Telephone Number :
 Fax Number :
 Vendor Number :2004815

Quotation Deadline Date : 14.10.2014
Quotation Deadline Time : 16H00

REQUEST for QUOTATION
 Transnet RME
RFQ Number / Date
 6000209333 / 06.10.2014
Contact Person / Telephone
 Anne Mongie / 031 361 1759
Return to VAX Number/EMAIL
 0318300001 / TCPtendersDurban@Transnet.net

Item	Material	Description	RFQ Qty	UoM	Required Del date	Confirm Del date	Unit Price Excl	Total Price Excl
00010		M36 J-Bolts-1,750m,CEE-	200	ea	20.10.2014			
		M36 J-Bolts-1,750m,CEE-TQ-50						
00020		Retaining Rings,CEE-TQ-	150	ea	20.10.2014			
		Retaining Rings,CEE-TQ-48						
00030		C-Links - 300 long,CEE-	200	ea	20.10.2014			
		C-Links - 300 long,CEE-TQ-30						
		DELIVERY : 130 EEL RD BAYHEAD						

PREVIEW COPY



Transnet SOC Limited
Transnet RME
 BOARD LIST TFR RME
 TRANSNET FREIGHT RAIL - RME
 PROCUREMENT DEPARTMENT
 2000
 YOUR VAT NUMBER WITH US: NOT

REQUEST FOR QUOTATION

Registration Number: 1990/000900/06
Vat Number : 4720103177

Attention:

 Telephone Number :
 Fax Number :
 Vendor Number :2004815

Quotation Deadline Date : 14.10.2014
Quotation Deadline Time : 16H00

REQUEST for QUOTATION
 Transnet RME
RFQ Number / Date
 6000209333 / 06.10.2014
Contact Person / Telephone
 Anne Mongie / 031 361 1759
Return to VAX Number/EMAIL
 0318300001 / TCPtendersDurban@Transnet.net

Item	Material	Description	RFQ Qty	UoM	Required Del date	Confirm Del date	Unit Price Excl	Total Price Excl
------	----------	-------------	---------	-----	-------------------	------------------	-----------------	------------------

FOR MORE INFORMATION CALL THOBEKA ON 0837791651

QUOTATION DEADLINE : 14 OCTOBER 2014 AT 16H00.
 QUOTE MUST BE MAILED TO : TCPtendersDurban@transnet.net
 KINDLY ATTACH COPIES OF BBBEE AND TAX CLEARANCE CERTIFICATES
 ALL PROCUREMENT RELATED QUERIES TO BE SENT TO :
 ANNE MONGIE : 031 361 1759.

"PREVIEW COPY"



Transnet SOC Limited
 Transnet RME
 BOARD LIST TFR RME
 TRANSNET FREIGHT RAIL - RME
 PROCUREMENT DEPARTMENT
 2000
 YOUR VAT NUMBER WITH US: NOT

REQUEST FOR QUOTATION

Registration Number: 1990/000900/06
 Vat Number : 4720103177

Attention:

Telephone Number :
 Fax Number :
 Vendor Number :2004815

Quotation Deadline Date : 14.10.2014
Quotation Deadline Time : 16H00

REQUEST for QUOTATION

Transnet RME

RFQ Number / Date

6000209333 / 06.10.2014

Contact Person / Telephone

Anne Mongie / 031 361 1759

Return to VAX Number/EMAIL

0318300001 / TCPtendersDurban@Transnet.net

Delivery Address

TFR RME Durban
 100 Eel Road
 Bayhead, Durban
 4001

This RFQ is subject to the following conditions:

1. Price/s : The price/s quoted in SA currency and is excluding of V.A.T
2. Delivery : The price/s quoted should include delivery cost to the delivery address stated on the RFQ
3. Returnables : A valid tax clearance certificate and BBBEE certificate from a SANAS accredited verification agency attached to quotation for all quotes above R30 000.
Please note that only the official Transnet RFQ will be accepted and all other correspondence to be attached to the original
4. Safety : To confirm to Transnet Capital Projects Health & Safety plan and specification; HAS-std-0001, copy available on request.
5. Confirmation: To confirm your participation in this tender process please sign and return this document as immediate effect prior to the quotation deadline.
6. Negotiations: The Employer may elect to negotiate the final terms of the contract/order with the preferred tenderer in accordance with Clauses F.2.17 and F.3.13 of the CIDB Standard Conditions of Tender. A copy of which is available upon request.

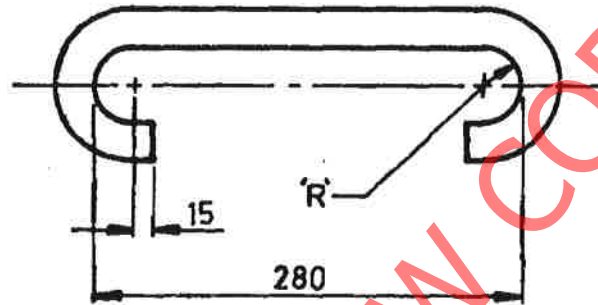
 Signature

 Date

STEEL, ROUND STAAL, ROND	Ø25	Ø36
STORES ITEM MAGASYNITEM NO. (M)	11/2804	11/—
DEVELOPED LENGTH UITGEBREIDE LENGTE	470	535
RADIUS 'R'	25	35

NOTES / OPMERKINGS

1. STEEL Ø36 TO BE USED WHERE OFF-CUTS OF FOUNDATION BOLT GROUP MATERIAL (M36) IS AVAILABLE.
STAAL Ø36 MOET GEBRUIK WORD WAAR AFVALSTUKKE VAN FONDAMENTBOUTGROEPMATERIAAL (M36) BESIKKBAAR IS.
2. STEEL TO BE Ø25 WHERE NEW MATERIAL IS USED.
STAAL MOET Ø25 WEES WAAR NUWE MATERIAAL GEBRUIK WORD.



DIMENSIONS: MILLIMETRES
AFMETINGS: MILLIMETER

MATERIAL-MATERIAAL

STEEL, ROUND. (SEE TABLE)
STAAL, ROND. (KYK TABEL)

SPEC. CME 9 SYM. 7
SPES. CME 9 SIM. 7

DRN. N. COOKE
GET. N. COOKE

GEN. TOLERANCES : LIN. ± 5
ALG. TOLERANSIES : ANG./HOEK —

TRCD L. WOOD.
NGT. L. WOOD.

D. O. REF. J73/41
TK-VERW. J73/41

ENG. IR.
IR.

CKD. F. HEYL.
NGS. F. HEYL.

DATE 73-08-24
DATUM 73-08-24

F. H. PIENAAR for ns.

CHIEF ELECTRICAL ENGINEER JOHANNESBURG
ELEKTRIESE HOOFINGENIEUR JOHANNESBURG

SOUTH AFRICAN TRANSPORT SERVICES
SUID - AFRIKAANSE VERVOERDIENSTE

EXTENSION HOOK.
M36 FOUNDATION BOLT GROUP.

VERLENGHAAK.
M36 FONDAMENTBOUTGROEP.

AMENDMENTS
WYSIGINGS

NO.	NAME NAAM	DATE DATUM
2.	JK	84-07-20

REDRAWN & REVISED.
Ø36 STEEL INCLUDED.
ASSY. DRG'S ADDED.
OORGETEKEN EN HER-
SIEN. Ø36 STAAL
BYGEOVOEG. SAMEST.-
TEK'S BYGEOVOEG.
D.O. REF. T1/84/49
TK-VERW.

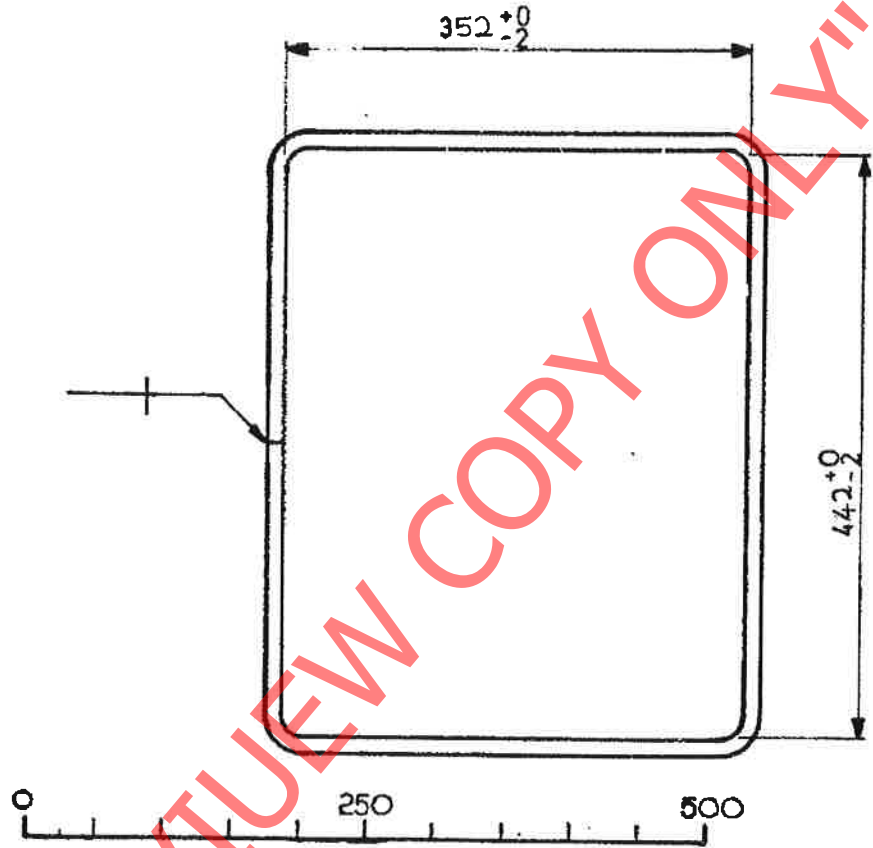
CEE-TQ-21,23,25,27,
28,29,34,36,37.

ASSY. DRG.
SAMEST.-TEK.

DRAWING
TEKENING NO. CEE-

TQ-30

NOTE /OPMERKING
ALL RADII
ALLE RADIUSSE R18.



DIMENSIONS: MILLIMETRES.
AFMETINGS: MILLIMETER.

MATERIAL - MATERIAAL
STEEL, ROUND
STAAL, ROND $\phi 12 \times 1547L$
SPEC. SYM. 9
SPES. SIM. 9

STORES ITEM
MAGASYNITEM NO.(M)11/2740

SOUTH AFRICAN TRANSPORT SERVICES.
SUID-AFRIKAANSE VERVOERDIENSTE.

DRN. M. VERMEULEN GET.	GEN. TOLERANCES: LIN. — ALG. TOLERANSIES: LIG./HOEK. —	
TRCD. NGT. M. VERMEULEN	D.O. REF. T.K. VERM. T2/80/15	ENG. J.R.
CRD. B. SEEWART NGD.	DATE LHJUM. 80-11-03	For ns.
CHIEF ELECTRICAL ENGINEER ELEKTRIESE HOOFINGENIEUR		JOHANNESBURG.

RING RETAINING:
FOUNDATION BOLT GROUP
I MASTS AND UNIVERSAL COLUMNS
RING KEER-
FONDAMENTBOUTGROEP
I MASTE EN UNIVERSELE KOLOMME

AMENDMENTS. WYSIGINGS.		
NO.	NAME. NAAM.	DATE. DATUM.

CEE-TQ-25
ASSY. DRG. /SAMEST. TEK.
MODULUS ITEM NO.

PREVIOUS
VORIGE ITEM NO.
DRAWING
TEKENING NO. CEE-
TQ-48

A4

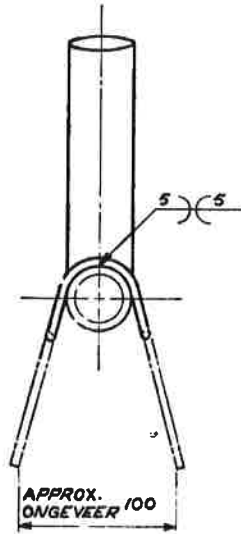
ORIGINAL FRAME SIZE
 OORSKONKLIKE RAAMSGROFTE 554 x 320.

ITEM	DESCRIPTION / BESKRYWING	QTY HVLD	STORES MAGASYN NO.	ARG. TEK. NO CEE-	AMENDMENTS. WYSIGINGS.
					NO. NAME. DATE.
1	STEEL, ROUND $\phi 36$ TO VOLG. BS 4360 GRADE 43A (FOR LENGTH SEE TABLE.) STAAL, ROND $\phi 36$ TO VOLG. GRAAD 43A (VIR LENGTE KYK TABEL.)	1			
2	WIRE, STEEL $\phi 4$ mm x 430L. DRAAD, STAAL $\phi 4$ mm x 430L.	2			1. J. SWIEGERS 82-01-23.
3	NUT, STEEL, ROUND, HEX. M36. (GALVANISED TO SPEC. SABS 763.) MOER, STAAL, ROND, SESK. (GEGALVANISEERD VOLG. SPES. SABS 763.)	1	(M)/32921		ITEM 3 & 4: REVISED HERSIEN. DO. REF. T2/B2/5
4	WASHER, STEEL, ROUND. M36. (GALVANISED TO SPEC. SABS 763.) WASTER, STAAL, ROND. M36. (GEGALVANISEERD VOLG. SPES. SABS 763.)	1	(M)/33700		

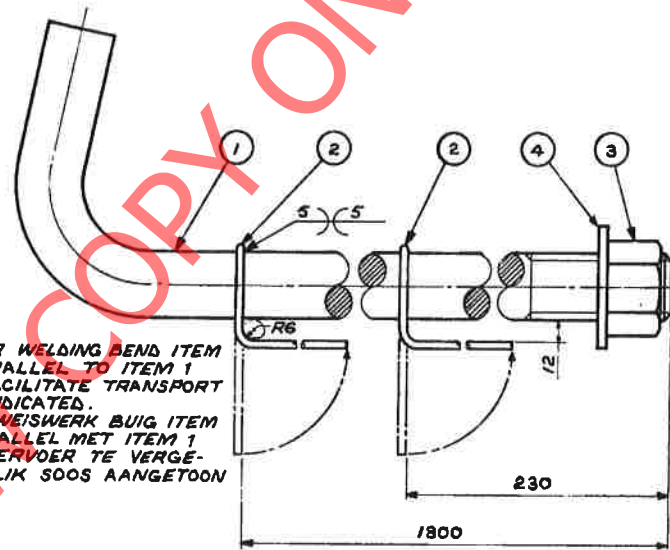
TYPE OF FOUNDATION HOLE TIPPE FONDAMENTGAT	A
ALL HOLES EXCEPT THOSE IN ROCK. ALLE GATE BEHALWE DIE IN KLIP.	1750
HOLES IN ROCK. GATE IN KLIP.	1450
A FRAME TENSION LEG. A RAAM SPANNINGSBEEN.	1750
A FRAME COMPRESSION LEG. A RAAM KOMRESSIEBEEN.	800

NOTE /OPMERKING.

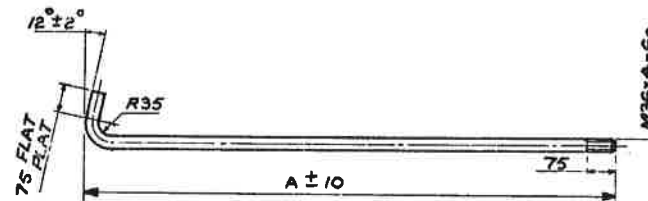
COAT THREADS WITH ANTI-CORROSIVE PASTE TO SPEC: CEE-T-P4A-9 STORES ITEM NO. (M) 9/21545.
 BEDEK SKROEFDRAAD MET KORROSIEWERENDE PASTA VOLG. SPES: CEE-T-P4A-9 MAGASYNITEM NO. (M) 9/21545.



VIEW WITH NUT AND WASHER OMITTED
 AANSIG MET MOER EN WASTER WEGGELAAT.



AFTER WELDING BEND ITEM 2 PARALLEL TO ITEM 1 TO FACILITATE TRANSPORT AS INDICATED.
 NA SWEISWERK BUIG ITEM 2 PARALLEL MET ITEM 1 OM VERVOER TE VERGEMAKLIK SOOS AANGETOON



ITEM 1

0 500 1000
 100 200

DIMENSIONS: MILLIMETRES.
 AFMETINGS: MILLIMETER.

S.A. TRANSPORT SERVICES.
 S.A. VERVOERDIENSTE.

DRN. GET. M. VERMEULEN	GEN. TOLERANCES: LIN. ± 5 ALS. TOLERANSIES: ANG./HOEK.
TRCD. MST. M. VERMEULEN	DO. REF. T2/80/15 D.A. NEM.
CRD. MRS. B. Stewart.	DATE. DATUM. 80-11-03
CHIEF ELECTRICAL ENGINEER ELEKTRIESE HOOFINGENIEUR	JOHANNES BURB.

BOLT, FOUNDATION M36.
 WITH SECURING WIRE.
 BOUT-FONDAMENT M36.
 MET VASHEGTINGSDRAAD.

CEE-TQ-20, 25, 28, 29
 CEE-TQ-34, 36
 ASSY. DRG./SAMEST. TEK.
 MODULUS ITEM NO.

PREVIOUS
 WORSIE ITEM NO.

DRAWING
 TERSIENING NO CEE-

TQ-50