



Transnet SOC Limited
Transnet RME

REQUEST FOR QUOTATION

BOARD LIST TFR RME
 TRANSNET FREIGHT RAIL - RME
 PROCUREMENT DEPARTMENT
 2000

Registration Number: 1990/000900/06
Vat Number : 4720103177

Attention:

Telephone Number :
 Fax Number :
 Vendor Number :2004815

Quotation Deadline Date : 10.09.2014
Quotation Deadline Time : 16H00

REQUEST for QUOTATION

Transnet RME
RFQ Number / Date
 6000206957 / 02.09.2014
Contact Person / Telephone
 Anne Mongie / 031 361 1759
Return to VAX Number/EMAIL
 0318300001 / TCPtendersDurban@Transnet.net

Item	Material	Description	RFQ Qty	UoM	Required Del date	Confirm Del date	Unit Price Excl	Total Price Excl
00010		MOUNTING PLATE ASSEMBLY	25	ea	22.09.2014			
		MOUNTING PLATE ASSEMBLY LIGHTNING ARRESTOR HDG,DRG BBC5765						
00020		LIGHTNING ARRESTOR ARC	25	ea	22.09.2014			
		LIGHTNING ARRESTOR ARC HORNS 3kV DC ASSEMBLY HDG,DRG BBB2142,BBB2144 ITEM 3 BBB2144 (TRANSNET TO SUPPLY CONTACT WIRE)						
00030		M16 U-BOLT WITH NUT AND	50	ea	22.09.2014			



Transnet SOC Limited
Transnet RME
 BOARD LIST TFR RME
 TRANSNET FREIGHT RAIL - RME
 PROCUREMENT DEPARTMENT
 2000
 YOUR VAT NUMBER WITH US: NOT

REQUEST FOR QUOTATION

Registration Number: 1990/000900/06
Vat Number : 4720103177

Attention:

 Telephone Number :
 Fax Number :
 Vendor Number :2004815

Quotation Deadline Date : 10.09.2014
Quotation Deadline Time : 16H00

REQUEST for QUOTATION
 Transnet RME
RFQ Number / Date
 6000206957 / 02.09.2014
Contact Person / Telephone
 Anne Mongie / 031 361 1759
Return to VAX Number/EMAIL
 0318300001 / TCPtendersDurban@Transnet.net

Item	Material	Description	RFQ Qty	UoM	Required Del date	Confirm Del date	Unit Price Excl	Total Price Excl
------	----------	-------------	---------	-----	-------------------	------------------	-----------------	------------------

M16 U-BOLT WITH NUT AND WASHERS
 (SPRING AND FLAT) HDG,BBB2144 ITEM 2

DELIVERY : 130 EEL RD BAYHEAD DURBAN
 FOR MORE INFORMATION PLEASE CONTACT THOBEKA (0605645437)

QUOTES MUST BE SENT TO : TCPtendersDurban@transnet.net
 CLOSING DATE : 10 SEPTEMBER 2014 AT 16H00.
 KINDLY ATTACH COPIES OF BBBEE AND TAX CLEARANCE CERTIFICATES
 CONTACT PERSON : ANNE MONGIE : 031 361 1759.

"PREVIEW COPY"



Transnet SOC Limited
Transnet RME
 BOARD LIST TFR RME
 TRANSNET FREIGHT RAIL - RME
 PROCUREMENT DEPARTMENT
 2000
 YOUR VAT NUMBER WITH US: NOT

REQUEST FOR QUOTATION

Registration Number: 1990/000900/06
Vat Number : 4720103177

Attention:

Telephone Number :
 Fax Number :
 Vendor Number :2004815

Quotation Deadline Date : 10.09.2014
Quotation Deadline Time : 16H00

REQUEST for QUOTATION
 Transnet RME
RFQ Number / Date
 6000206957 / 02.09.2014
Contact Person / Telephone
 Anne Mongie / 031 361 1759
Return to VAX Number/EMAIL
 0318300001 / TCPtendersDurban@Transnet.net

Delivery Address
 TFR RME Durban
 100 Eel Road
 Bayhead, Durban
 4001

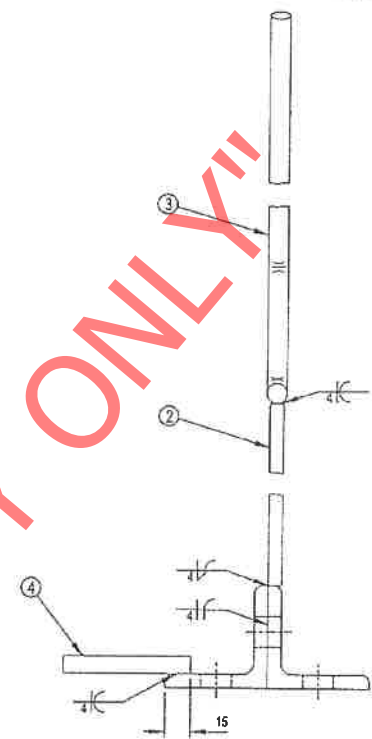
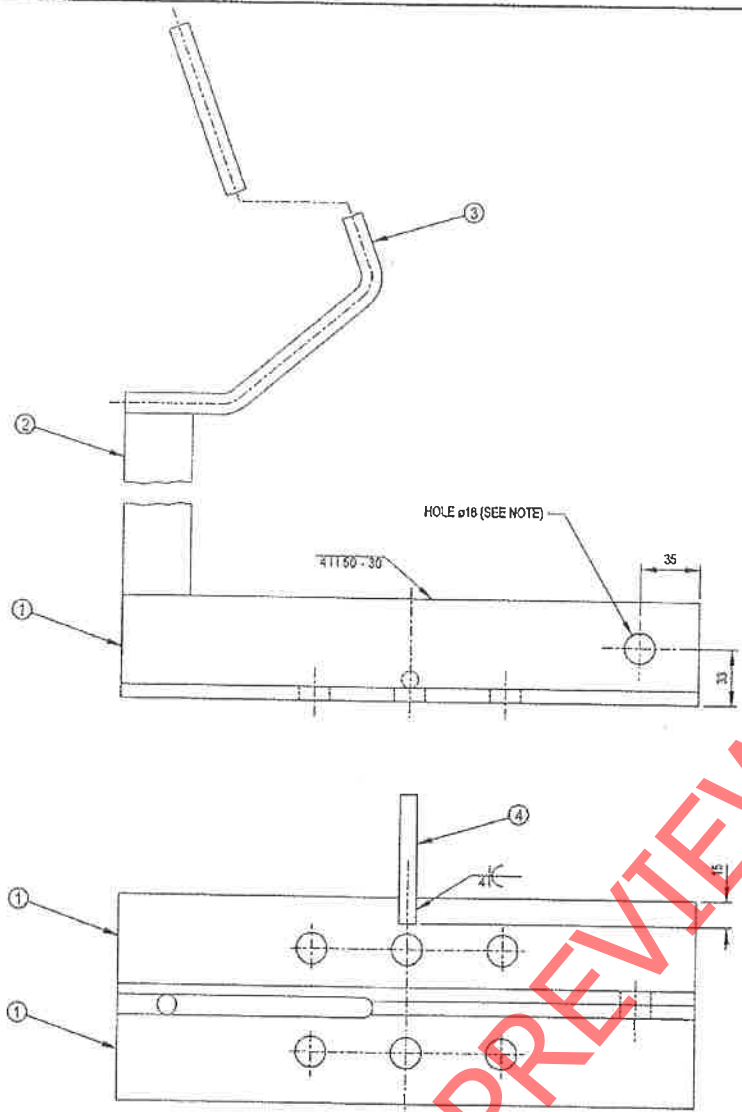
This RFQ is subject to the following conditions:

1. Price/s : The price/s quoted in SA currency and is excluding of V.A.T
2. Delivery : The price/s quoted should include delivery cost to the delivery address stated on the RFQ
3. Returnables : A valid tax clearance certificate and BBBEE certificate from a SANAS accredited verification agency attached to quotation for all quotes above R30 000.
 Please note that only the official Transnet RFQ will be accepted and all other correspondence to be attached to the original
4. Safety : To confirm to Transnet Capital Projects Health & Safety plan and specification; HAS-std-0001, copy available on request.
5. Confirmation: To confirm your participation in this tender process please sign and return this document as immediate effect prior to the quotation deadline.
6. Negotiations: The Employer may elect to negotiate the final terms of the contract/order with the preferred tenderer in accordance with Clauses F.2.17 and F.3.13 of the CIDB Standard Conditions of Tender. A copy of which is available upon request.

Signature _____

Date _____

"PREVIOUS COPY ONLY"



NOTE:
DRILL ø18 HOLE AFTER WELDING TWO ANGLE IRONS TOGETHER.

FINISH:
AFTER WELDING AND DRILLING, ZINC COAT ASSEMBLY TO SANS 121 FOR CONDITIONS IN SITU.

ITEM NO	DESCRIPTION	QTY	STORES ITEM NO	DRAWING NO
4	GUIDE PIN; STEEL, ROUND, Ø10 x 75L	1	-	-
3	ARC HORN	1	-	BBB2144 ITEM 4
2	ARC HORN SUPPORT; FLAT BAR, MILD STEEL 270 x 40 x 8THK	1	-	-
1	BASE ANGLE	2	-	BBB2144 ITEM 1

© COPYRIGHT PROTECTED. PREPARED BY CENTRAL DRAWING OFFICE

DIMENSIONS : mm
 TOLERANCE : LIN ± 1 ANG ± .
 MATERIAL : -
 VERSION INFO : DRAWING REVISED.
 A SECOND ANGLE IS WELDED BACK TO BACK WITH ITEM 1. QUANTITY FOR ITEM 1 WAS 1.
 NOTE ADDED.

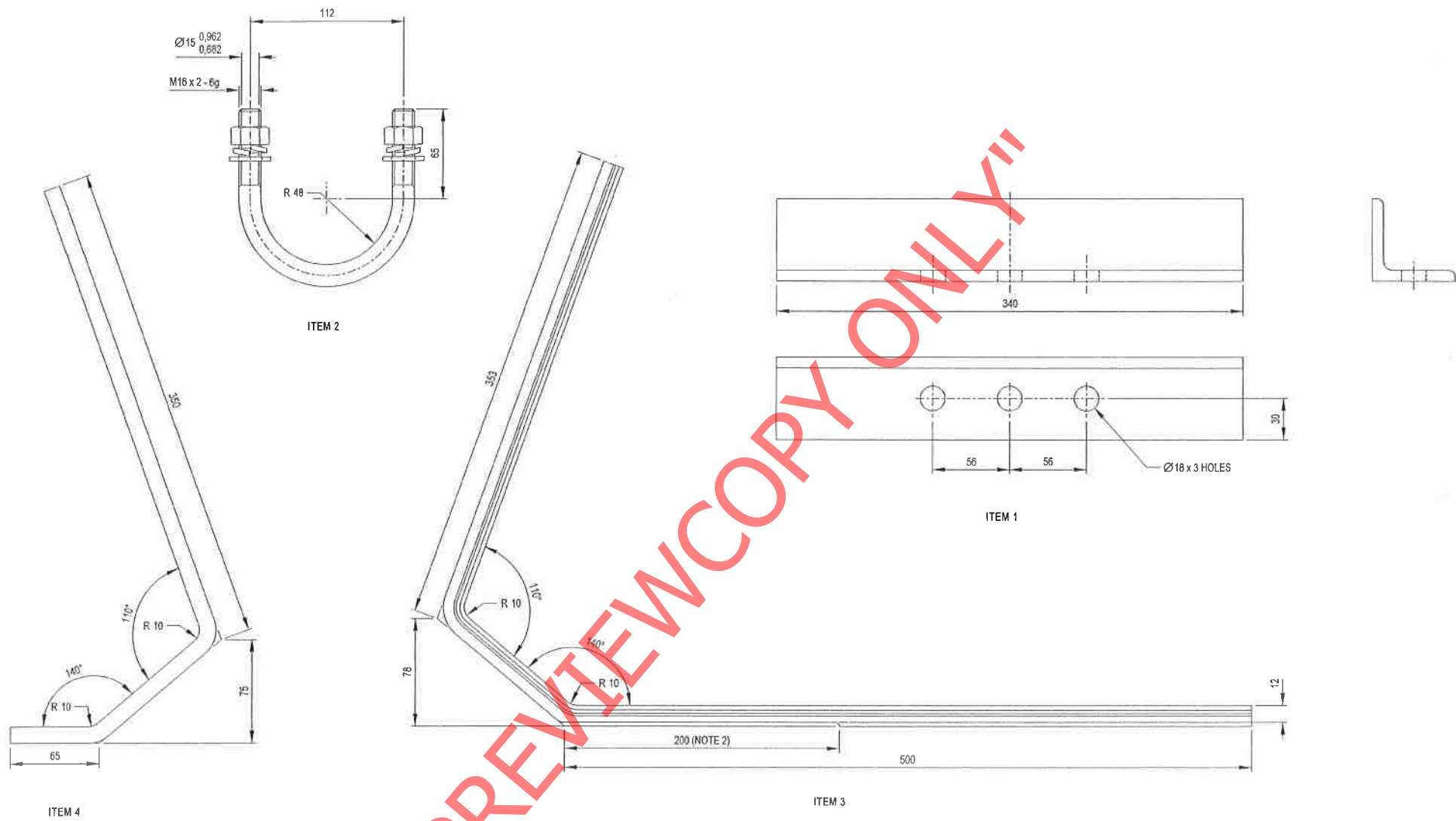
SCALE : 1:2
 ITEM NO : -
 CDO REF : CDO/4995
 ECP REF : BBC1623
 DRAWN : JR Anthony
 DESIGNED : WF Mans
 CHECKED : JD van Dyk

DATE: 28/4/2005
 APPROVED
 AUTHORIZED

ARC HORN NO. 1 ASSEMBLY.
 LIGHTNING ARRESTER ARRANGEMENT ON
 3KV DC CANTILEVER STRUCTURES

SPOORNET
 BBB2142
 VERSION 2

"PREVIEW COPY ONLY"



NOTE:
GRIND OR SAND 161mm² Cu. CONTACT WIRE TO FORM A FLAT SURFACE FOR CLAMPING PURPOSES.

ITEM NO	DESCRIPTION	QTY	STORES ITEM NO	DRAWING NO
4	STEEL ROD $\varnothing 12 \times 516L$	1	-	-
3	161mm ² Cu. CONTACT WIRE x 952L	1	-	-
2	M16, U-BOLT, NUTS & WASHERS	1	-	-
1	ANGLE, 60 x 60 x 8 x 340L	1	-	-

© COPYRIGHT PROTECTED. PREPARED BY CENTRAL DRAWING OFFICE.

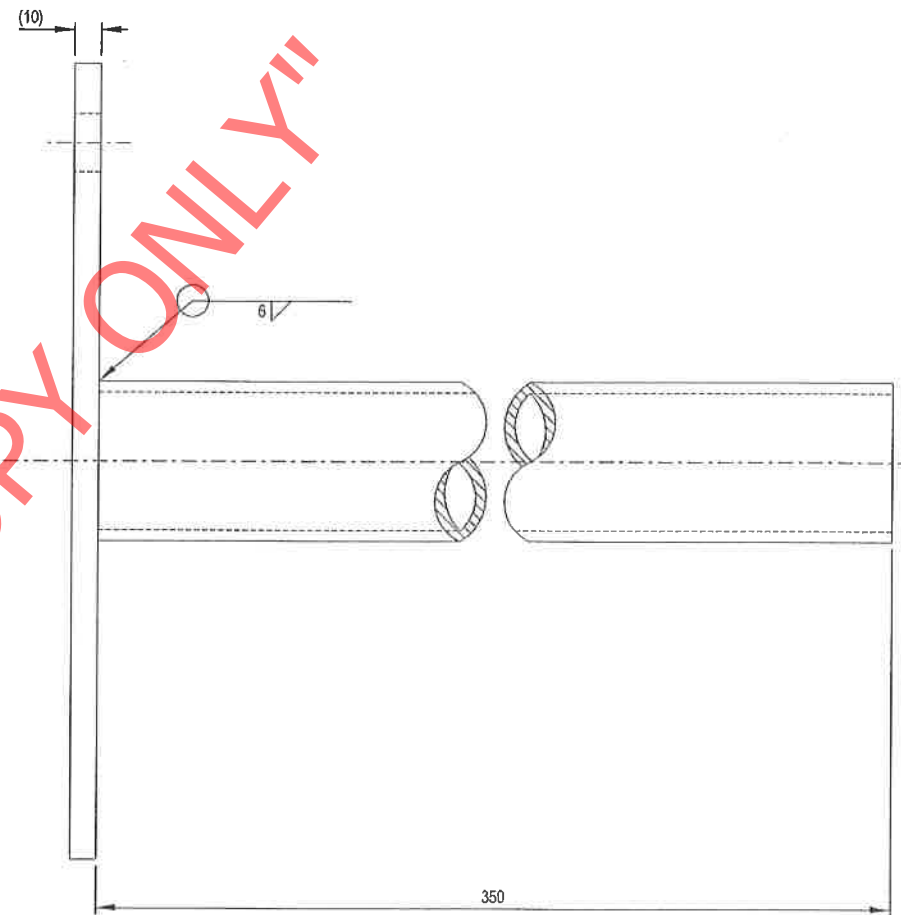
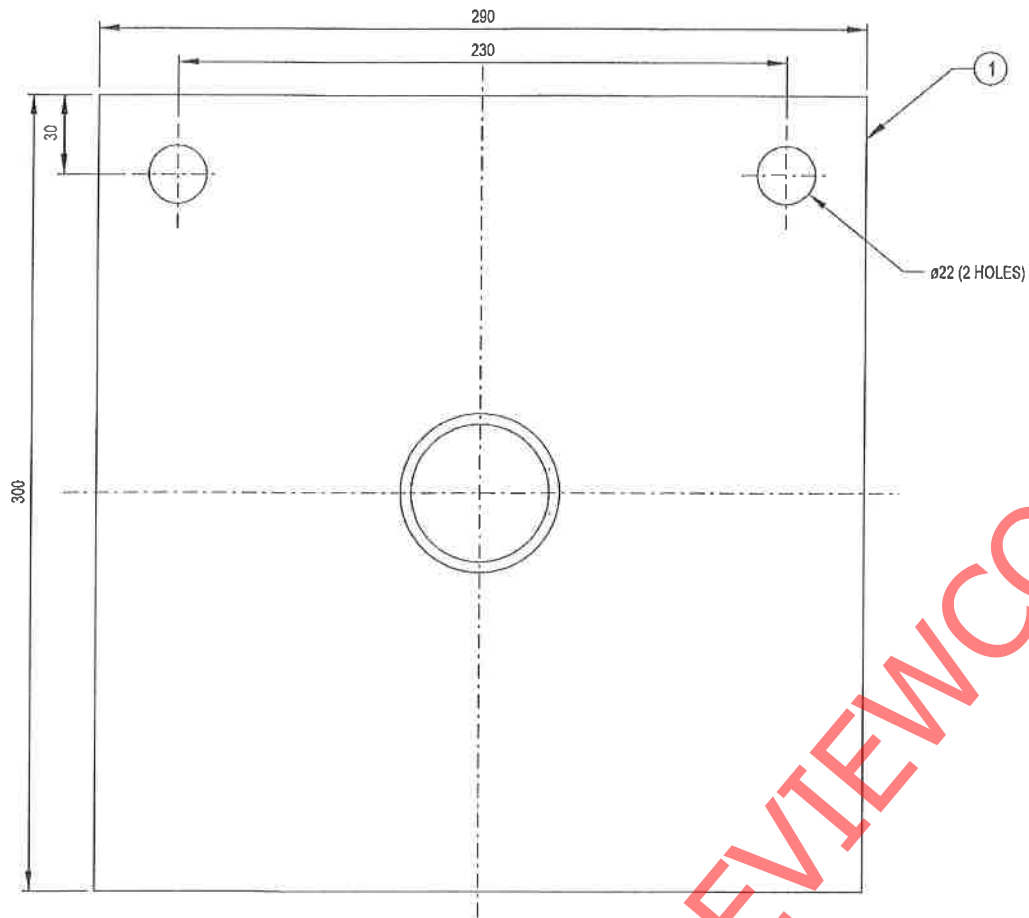
DIMENSIONS : mm SCALE : 1:2
 TOLERANCE : LIN ± 1 ANG $\pm 0.5^\circ$ ITEM NO : -
 MATERIAL : -
 VERSION INFO : NOTE 1 AND OLD ITEM 2 REMOVED.
 ITEM 2, 3 & 4 WAS 3, 4 & 5 RESPECTIVELY.

CDO REF : CDO/4995
 ECP REF : BBC1623
 DRAWN : JR Anthony
 DESIGNED : WF Mans
 CHECKED : JD van Dyk

DATE: 28/04/2008
 APPROVED
 AUTHORIZED

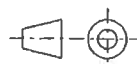
COMPONENTS.
 LIGHTNING ARRESTER ARRANGEMENT ON
 3kV DC CANTILEVER STRUCTURES

SPOORNET
 BBB2144
 VERSION 2



FINISH
Hot dip galvanise assembly to SANS 121 after welding and drilling.

PREVIEW COPY ONLY



© COPYRIGHT PROTECTED. PREPARED BY CENTRAL DRAWING OFFICE

DIMENSIONS : mm SCALE : 1 : 2
TOLERANCE : LIN ± 0,5 ANG ± - ITEM NO : -
MATERIAL : -
VERSION INFO : -

DO REF : CDO/5075
ECP REF : -
DRAWN : J.R. Anthony
DESIGNED : W.F. Mans
CHECKED : J.D. van Dyk

DATE: 19/03/2007

APPROVED
[Signature]
AUTHORISED

ITEM NO	DESCRIPTION	QTY	STORES ITEM NO	DRAWING NO
2	Pipe, Metallic, ø60 O.D. (Nom.) Wall Thickness 4mm x 350L	1	-	-
1	Plate, Steel 290 x 300 x 10Thk	1	-	-

**MOUNTING PLATE ASSEMBLY
LIGHTNING ARRESTER ARRANGEMENT
3kV DC AUTO TENSIONED CONSTRUCTION**

SPOORNET
BBC5765
VERSION 1