



Transnet SOC Limited
Transnet RME

REQUEST FOR QUOTATION

TFR Official Tender Board.
TFR Tender Board.
Johannesburg.
2000

Registration Number: 1990/000900/06
Vat Number : 4720103177

Attention:
TFR Official Tender Board.
Telephone Number :
Fax Number :
Vendor Number :500000

Quotation Deadline Date : 26.11.2013
Quotation Deadline Time : 12:00

REQUEST for QUOTATION
Transnet RME
RFQ Number / Date
6000182266 / 15.11.2013
Contact Person / Telephone
Eddie Quinn / 035 905 3664
Return to VAX Number/EMAIL
0865159978 / TCPtendersRichardsBay@Transnet.net

Item	Material	Description	RFQ Qty	UoM	Required Del date	Confirm Del date	Unit Price Excl	Total Price Excl
00010		M20 X 290mm Bolt Stainl	1,200	ea	15.01.2014			

Supply, Deliver & Offload, 1200 x M20 X 290mm Bolts, Stainless Steel 304, Rolled Thread = Length 90mm, with Forged Head - NO ALTERNATIVE !!!
Delivered to: 1 Morris Road - Empangeni Rail - OHTE Store
Contact: Mr Pierre Crocker Tel: 083 279 0437 / 035-905 3638

Please deliver to:

For: TFR (RME) Richards Bay.
Empangeni Rail - OHTE Store.
1 Morris Road - Att: Terrance.
Mr Pierre Crocker - Tel: 083 279 0437.
3900

00020		M20 X 275mm Bolt Stainl	40	ea	15.01.2014			
-------	--	-------------------------	----	----	------------	--	--	--

Supply, Deliver & Offload, 40 x M20 X 275mm Bolts, Stainless Steel 304, Rolled Thread = Length 90mm, with Forged Head - NO ALTERNATIVE !!!!!



REQUEST FOR QUOTATION

Transnet SOC Limited
 Transnet RME
 Company
 TFR Official Tender Board.
 TFR Tender Board.
 Johannesburg.
 2000

Registration Number: 1990/000900/06
 Vat Number : 4720103177

Attention:
 TFR Official Tender Board.
 Telephone Number :
 Fax Number :
 Vendor Number :500000

Quotation Deadline Date : 26.11.2013
Quotation Deadline Time : 12:00

REQUEST for QUOTATION
 Transnet RME
RFQ Number / Date
 6000182266 / 15.11.2013
Contact Person / Telephone
 Eddie Quinn / 035 905 3664
Return to VAX Number/EMAIL
 0865159978 / TCPtendersRichardsBay@Transnet.net

Item	Material	Description	RFQ Qty	UoM	Required Del date	Confirm Del date	Unit Price Excl	Total Price Excl
------	----------	-------------	---------	-----	-------------------	------------------	-----------------	------------------

Delivered to: 1 Morris Road - Empangeni Rail - OHTE Store.
 Contact: Mr Pierre Crocker Tel: 083 279 0437 / 035-905 3638.

Please deliver to:

For: TFR (RME) Richards Bay.
 Empangeni Rail - OHTE Store.
 1 Morris Road - Att: Terrance.
 Mr Pierre Crocker - Tel: 083 279 0437.
 3900

00030		M20 x 240mm Bolt Stain	60	ea	15.01.2014			
-------	--	------------------------	----	----	------------	--	--	--

Supply, Deliver & Offload, 60 x M20 x 240mm Bolts, Stainless Steel 304, Rolled Thread = Length 90mm, with Forged Heads - NO ALTERNATIVE !!!!!
 Delivered to: 1 Morris Road - Empangeni Rail - OHTE Store.
 Contact: Mr Pierre Crocker Tel: 083 279 0437 / 035-905 3638.

Please deliver to:



Transnet SOC Limited
Transnet RME
 Company
 TFR Official Tender Board.
 TFR Tender Board.
 Johannesburg.
 2000

REQUEST FOR QUOTATION

Registration Number: 1990/000900/06
Vat Number : 4720103177

Attention:
 TFR Official Tender Board.
 Telephone Number :
 Fax Number :
 Vendor Number :500000

Quotation Deadline Date : 26.11.2013
Quotation Deadline Time : 12:00

REQUEST for QUOTATION
 Transnet RME
RFQ Number / Date
 6000182266 / 15.11.2013
Contact Person / Telephone
 Eddie Quinn / 035 905 3664
Return to VAX Number/EMAIL
 0865159978 / TCPtendersRichardsBay@Transnet.net

Item	Material	Description	RFQ Qty	UoM	Required Del date	Confirm Del date	Unit Price Excl	Total Price Excl
------	----------	-------------	---------	-----	-------------------	------------------	-----------------	------------------

For: TFR (RME) Richards Bay.
 Empangeni Rail - OHTE Store.
 1 Morris Road - Att: Terrance.
 Mr Pierre Crocker - Tel: 083 279 0437.
 3900

00040		M20 X 50mm Set Screw S	125	ea	15.01.2014			
-------	--	------------------------	-----	----	------------	--	--	--

Supply, Deliver & Offload, 125 x M20 X 50mm Set Screw, Stainless Steel 304.

Please deliver to:

For: TFR (RME) Richards Bay.
 Empangeni Rail - OHTE Store.
 1 Morris Road - Att: Terrance.
 Mr Pierre Crocker - Tel: 083 279 0437.
 3900

00050		M20 Nut Stainless Steel	2,000	ea	15.01.2014			
-------	--	-------------------------	-------	----	------------	--	--	--

Supply, Deliver & Offload, 2000 x M20 Nut, Stainless Steel 316.

"PREVIEW COPY ONLY"



REQUEST FOR QUOTATION

Transnet SOC Limited
Transnet RME
 Company
 TFR Official Tender Board.
 TFR Tender Board.
 Johannesburg.
 2000

Registration Number: 1990/000900/06
Vat Number : 4720103177

Attention:
 TFR Official Tender Board.
 Telephone Number :
 Fax Number :
 Vendor Number :500000

Quotation Deadline Date : 26.11.2013
Quotation Deadline Time : 12:00

REQUEST for QUOTATION
 Transnet RME
RFQ Number / Date
 6000182266 / 15.11.2013
Contact Person / Telephone
 Eddie Quinn / 035 905 3664
Return to VAX Number/EMAIL
 0865159978 / TCPtendersRichardsBay@Transnet.net

Item	Material	Description	RFQ Qty	UoM	Required Del date	Confirm Del date	Unit Price Excl	Total Price Excl
------	----------	-------------	---------	-----	-------------------	------------------	-----------------	------------------

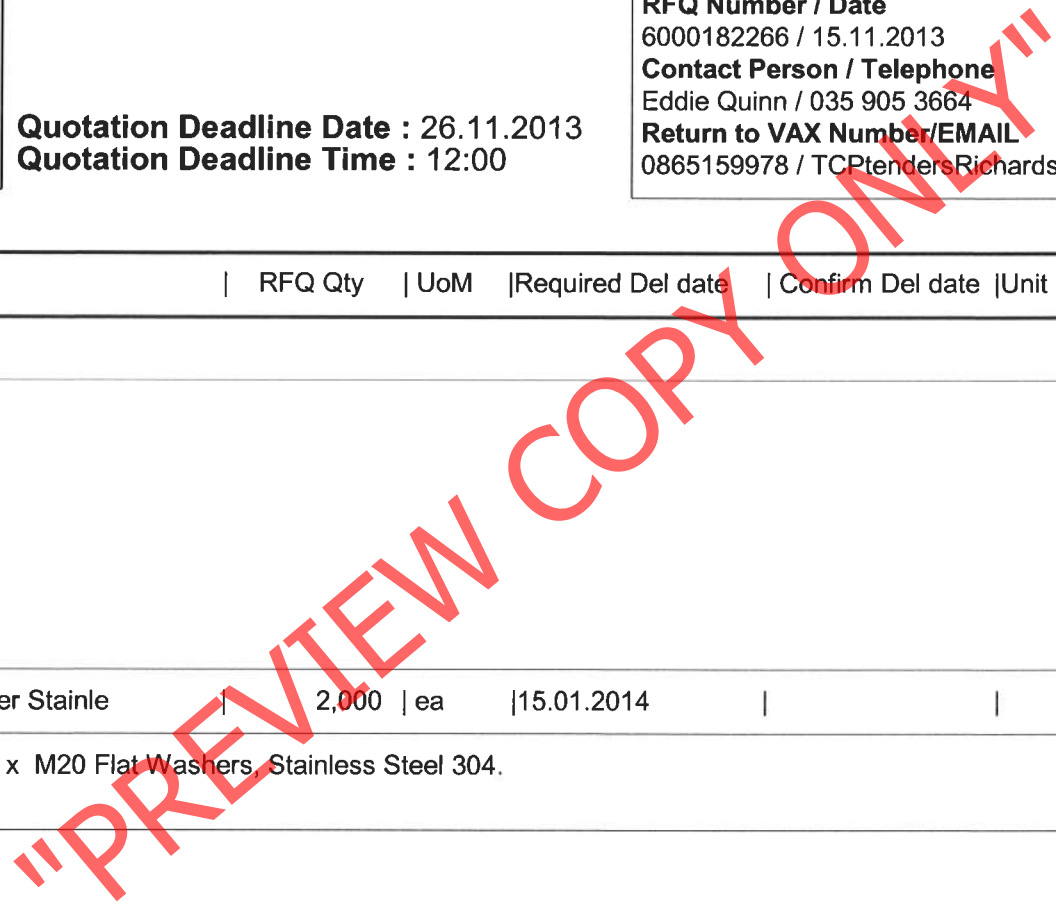
Please deliver to:

For: TFR (RME) Richards Bay.
 Empangeni Rail - OHTE Store.
 1 Morris Road - Att: Terrance.
 Mr Pierre Crocker - Tel: 083 279 0437.
 3900

00060		M20 Flat Washer Stainle	2,000	ea	15.01.2014			
-------	--	-------------------------	-------	----	------------	--	--	--

Supply, Deliver & Offload, 2000 x M20 Flat Washers, Stainless Steel 304.

Please deliver to:





REQUEST FOR QUOTATION

Transnet SOC Limited
 Transnet RME
 Company
 TFR Official Tender Board.
 TFR Tender Board.
 Johannesburg.
 2000

Registration Number: 1990/000900/06
 Vat Number : 4720103177

Attention:
 TFR Official Tender Board.
 Telephone Number :
 Fax Number :
 Vendor Number :500000

Quotation Deadline Date : 26.11.2013
Quotation Deadline Time : 12:00

REQUEST for QUOTATION
 Transnet RME
RFQ Number / Date
 6000182266 / 15.11.2013
Contact Person / Telephone
 Eddie Quinn / 035 905 3664
Return to VAX Number/EMAIL
 0865159978 / TCPtendersRichardsBay@Transnet.net

Item	Material	Description	RFQ Qty	UoM	Required Del date	Confirm Del date	Unit Price Excl	Total Price Excl
------	----------	-------------	---------	-----	-------------------	------------------	-----------------	------------------

For: TFR (RME) Richards Bay.
 Empangeni Rail - OHTE Store.
 1 Morris Road - Att: Terrance.
 Mr Pierre Crocker - Tel: 083 279 0437.
 3900

00070		M20 x 360mm Bolt Stainl	60	ea	15.01.2014			
-------	--	-------------------------	----	----	------------	--	--	--

Supply, Deliver & Offload, 60 x M20 x 360mm Bolts, Stainless Steel 304, Rolled Thread = Length 90mm, with Forged Head - NO ALTERNATIVE !!!!

Please deliver to:

For: TFR (RME) Richards Bay.
 Empangeni Rail - OHTE Store.
 1 Morris Road - Att: Terrance.
 Mr Pierre Crocker - Tel: 083 279 0437.
 3900

00080		M16 x 400mm Bolt Stainl	1,900	ea	15.01.2014			
-------	--	-------------------------	-------	----	------------	--	--	--

Supply, Deliver & Offload, 1900 x M16 x 400mm Bolts, Stainless Steel 304, Rolled Thread = Length 90mm, with Forged Head - NO ALTERNATIVE !!!!



Transnet SOC Limited
Transnet RME
 Company
 TFR Official Tender Board.
 TFR Tender Board.
 Johannesburg.
 2000

REQUEST FOR QUOTATION

Registration Number: 1990/000900/06
Vat Number : 4720103177

Attention:
 TFR Official Tender Board.
 Telephone Number :
 Fax Number :
 Vendor Number :500000

Quotation Deadline Date : 26.11.2013
Quotation Deadline Time : 12:00

REQUEST for QUOTATION
 Transnet RME
RFQ Number / Date
 6000182266 / 15.11.2013
Contact Person / Telephone
 Eddie Quinn / 035 905 3664
Return to VAX Number/EMAIL
 0865159978 / TCPtendersRichardsBay@Transnet.net

Item	Material	Description	RFQ Qty	UoM	Required Del date	Confirm Del date	Unit Price Excl	Total Price Excl
------	----------	-------------	---------	-----	-------------------	------------------	-----------------	------------------

Please deliver to:

For: TFR (RME) Richards Bay.
 Empangeni Rail - OHTE Store.
 1 Morris Road - Att: Terrance.
 Mr Pierre Crocker - Tel: 083 279 0437.
 3900

00090		M16 x 360mm Bolt Stainl	95	ea	15.01.2014			
-------	--	-------------------------	----	----	------------	--	--	--

Supply, Deliver & Offload, 95 x M16 x 360mm Bolts, Stainless Steel 304, Rolled Thread = Length 90mm, with Forged Head - NO ATERNATIVE !!!!

Please deliver to:

"PREVIEW COPY ONLY"



Transnet SOC Limited
Transnet RME
 Company
 TFR Official Tender Board.
 TFR Tender Board.
 Johannesburg.
 2000

REQUEST FOR QUOTATION

Registration Number: 1990/000900/06
Vat Number : 4720103177

Attention:
 TFR Official Tender Board.
 Telephone Number :
 Fax Number :
 Vendor Number :500000

Quotation Deadline Date : 26.11.2013
Quotation Deadline Time : 12:00

REQUEST for QUOTATION
 Transnet RME
RFQ Number / Date
 6000182266 / 15.11.2013
Contact Person / Telephone
 Eddie Quinn / 035 905 3664
Return to VAX Number/EMAIL
 0865159978 / TCPtendersRichardsBay@Transnet.net

Item	Material	Description	RFQ Qty	UoM	Required Del date	Confirm Del date	Unit Price Excl	Total Price Excl
------	----------	-------------	---------	-----	-------------------	------------------	-----------------	------------------

For: TFR (RME) Richards Bay.
 Empangeni Rail - OHTE Store.
 1 Morris Road - Att: Terrance.
 Mr Pierre Crocker - Tel: 083 279 0437.
 3900

00100		M16 x50mm Setscrew Stai	280	ea	15.01.2014			
-------	--	-------------------------	-----	----	------------	--	--	--

Supply, Deliver & Offload, 280 x M16 x50mm Setscrews, Stainless Steel 304.

Please deliver to:

For: TFR (RME) Richards Bay.
 Empangeni Rail - OHTE Store.
 1 Morris Road - Att: Terrance.
 Mr Pierre Crocker - Tel: 083 279 0437.
 3900

00110		M16 x220mm Bolt Stainl	70	ea	15.01.2014			
-------	--	------------------------	----	----	------------	--	--	--

Supply, Deliver & Offload, 70 x M16 x 220mm Bolts, Stainless Steel 304.

"PREVIEW COPY ONLY"



Transnet SOC Limited
Transnet RME
 Company
 TFR Official Tender Board,
 TFR Tender Board.
 Johannesburg.
 2000

REQUEST FOR QUOTATION

Registration Number: 1990/000900/06
Vat Number : 4720103177

Attention:
 TFR Official Tender Board.
 Telephone Number :
 Fax Number :
 Vendor Number :500000

Quotation Deadline Date : 26.11.2013
Quotation Deadline Time : 12:00

REQUEST for QUOTATION
 Transnet RME
RFQ Number / Date
 6000182266 / 15.11.2013
Contact Person / Telephone
 Eddie Quinn / 035 905 3664
Return to VAX Number/EMAIL
 0865159978 / TCPtendersRichardsBay@Transnet.net

Item	Material	Description	RFQ Qty	UoM	Required Del date	Confirm Del date	Unit Price Excl	Total Price Excl
------	----------	-------------	---------	-----	-------------------	------------------	-----------------	------------------

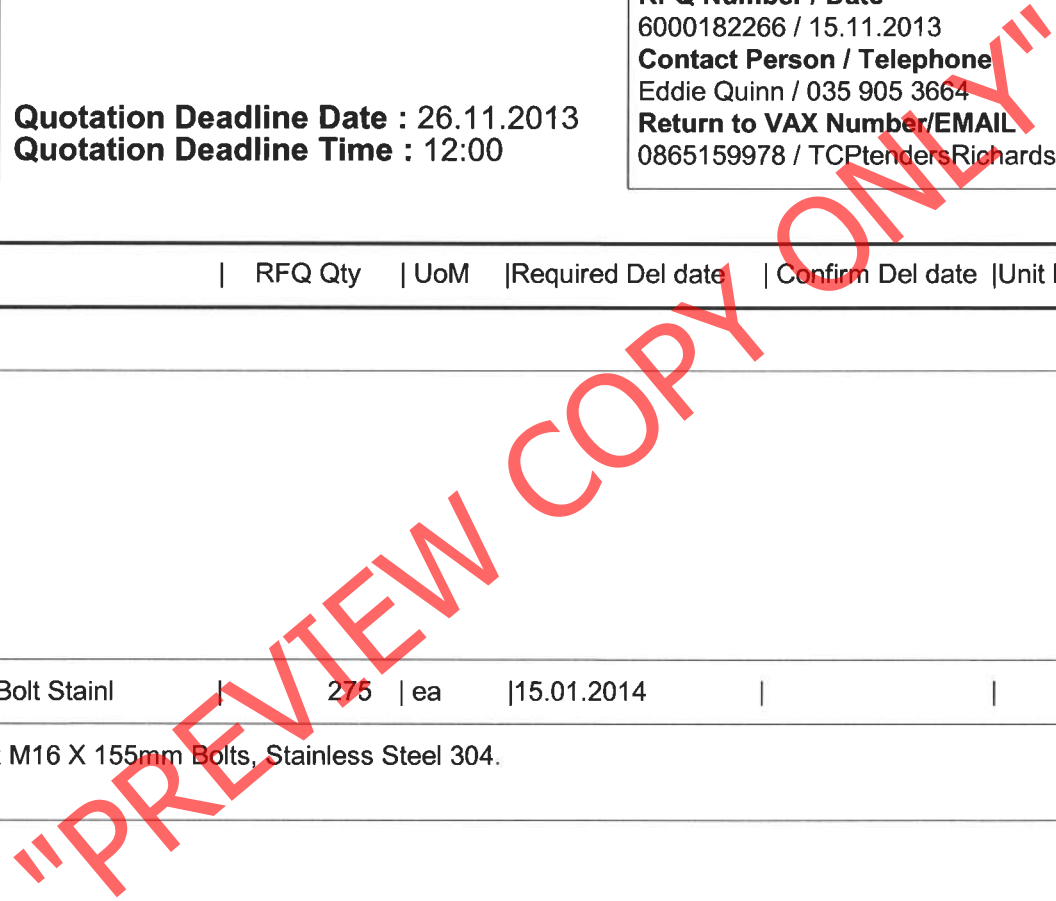
Please deliver to:

For: TFR (RME) Richards Bay.
 Empangeni Rail - OHTE Store.
 1 Morris Road - Att: Terrance.
 Mr Pierre Crocker - Tel: 083 279 0437.
 3900

00120		M16 X 155mm Bolt Stainl	275	ea	15.01.2014			
-------	--	-------------------------	-----	----	------------	--	--	--

Supply, Deliver & Offload, 275 x M16 X 155mm Bolts, Stainless Steel 304.

Please deliver to:





REQUEST FOR QUOTATION

Transnet SOC Limited
 Transnet RME
 Company
 TFR Official Tender Board.
 TFR Tender Board.
 Johannesburg.
 2000

Registration Number: 1990/000900/06
 Vat Number : 4720103177

Attention:
 TFR Official Tender Board.
 Telephone Number :
 Fax Number :
 Vendor Number :500000

Quotation Deadline Date : 26.11.2013
Quotation Deadline Time : 12:00

REQUEST for QUOTATION
 Transnet RME
RFQ Number / Date
 6000182266 / 15.11.2013
Contact Person / Telephone
 Eddie Quinn / 035 905 3664
Return to VAX Number/EMAIL
 0865159978 / TCPtendersRichardsBay@Transnet.net

Item	Material	Description	RFQ Qty	UoM	Required Del date	Confirm Del date	Unit Price Excl	Total Price Excl
------	----------	-------------	---------	-----	-------------------	------------------	-----------------	------------------

For: TFR (RME) Richards Bay.
 Empangeni Rail - OHTE Store.
 1 Morris Road - Att: Terrance.
 Mr Pierre Crocker - Tel: 083 279 0437.
 3900

00130		M16 X 40mm Bolt Stainle	70	ea	15.01.2014			
-------	--	-------------------------	----	----	------------	--	--	--

Supply, Deliver & Offload, 70 x M16 X 40mm Bolts, Stainless Steel 304.

Please deliver to:

For: TFR (RME) Richards Bay.
 Empangeni Rail - OHTE Store.
 1 Morris Road - Att: Terrance.
 Mr Pierre Crocker - Tel: 083 279 0437.
 3900

00140		M16 X 240mm Bolt Stainl	940	ea	15.01.2014			
-------	--	-------------------------	-----	----	------------	--	--	--

Supply, Deliver & Offload, 940 x M16 X 240mm Bolts, Stainless Steel 304.

"PREVIEW COPY ONLY"



REQUEST FOR QUOTATION

Transnet SOC Limited
 Transnet RME
 Company
 TFR Official Tender Board.
 TFR Tender Board.
 Johannesburg.
 2000

Registration Number: 1990/000900/06
 Vat Number : 4720103177

Attention:
 TFR Official Tender Board.
 Telephone Number :
 Fax Number :
 Vendor Number :500000

Quotation Deadline Date : 26.11.2013
Quotation Deadline Time : 12:00

REQUEST for QUOTATION
 Transnet RME
RFQ Number / Date
 6000182266 / 15.11.2013
Contact Person / Telephone
 Eddie Quinn / 035 905 3664
Return to VAX Number/EMAIL
 0865159978 / TCPtendersRichardsBay@Transnet.net

Item	Material	Description	RFQ Qty	UoM	Required Del date	Confirm Del date	Unit Price Excl	Total Price Excl
------	----------	-------------	---------	-----	-------------------	------------------	-----------------	------------------

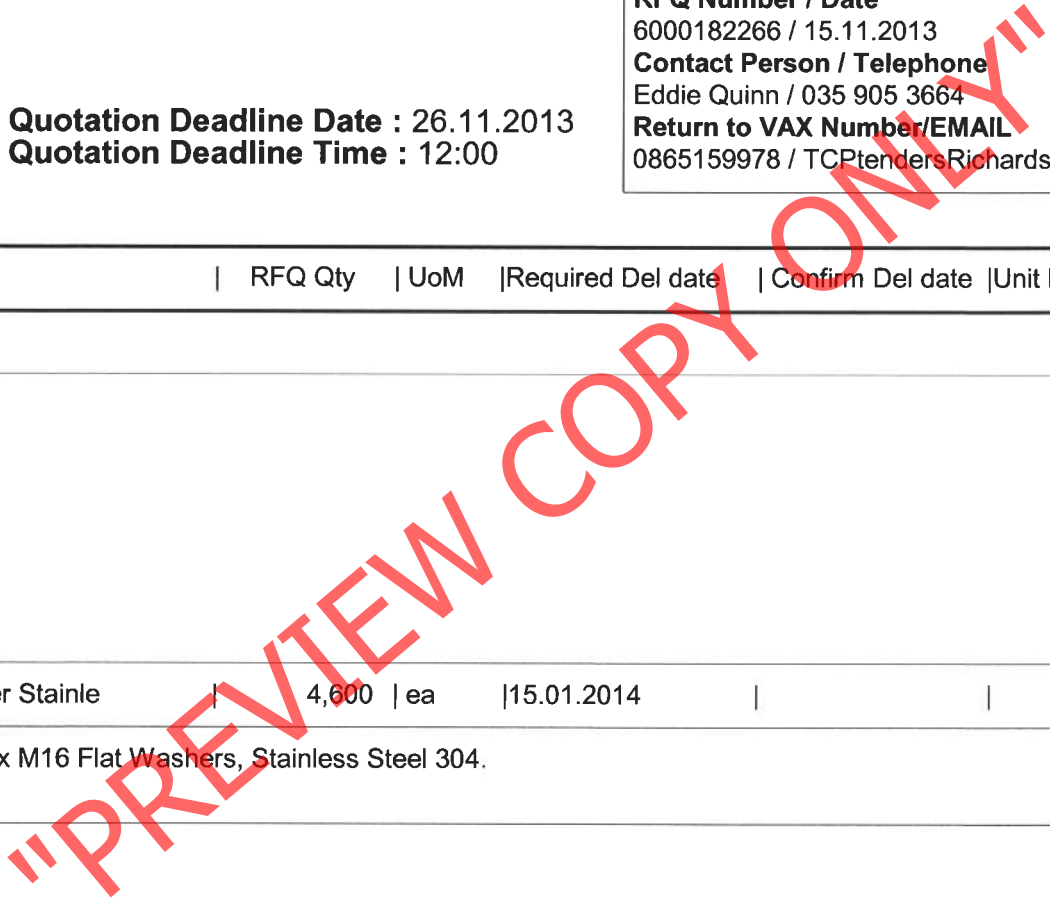
Please deliver to:

For: TFR (RME) Richards Bay.
 Empangeni Rail - OHTE Store.
 1 Morris Road - Att: Terrance.
 Mr Pierre Crocker - Tel: 083 279 0437.
 3900

00150		M16 Flat Washer Stainle	4,600	ea	15.01.2014			
-------	--	-------------------------	-------	----	------------	--	--	--

Supply, Deliver & Offload, 4600 x M16 Flat Washers, Stainless Steel 304.

Please deliver to:





Transnet SOC Limited
Transnet RME
 Company
 TFR Official Tender Board.
 TFR Tender Board.
 Johannesburg.
 2000

REQUEST FOR QUOTATION

Registration Number: 1990/000900/06
Vat Number : 4720103177

Attention:
 TFR Official Tender Board.
 Telephone Number :
 Fax Number :
 Vendor Number :500000

Quotation Deadline Date : 26.11.2013
Quotation Deadline Time : 12:00

REQUEST for QUOTATION
 Transnet RME
RFQ Number / Date
 6000182266 / 15.11.2013
Contact Person / Telephone
 Eddie Quinn / 035 905 3664
Return to VAX Number/EMAIL
 0865159978 / TCPtendersRichardsBay@Transnet.net

Item	Material	Description	RFQ Qty	UoM	Required Del date	Confirm Del date	Unit Price Excl	Total Price Excl
------	----------	-------------	---------	-----	-------------------	------------------	-----------------	------------------

For: TFR (RME) Richards Bay.
 Empangeni Rail - OHTE Store.
 1 Morris Road - Att: Terrance.
 Mr Pierre Crocker - Tel: 083 279 0437.
 3900

00160		M16 Nuts Stainless Stee	4,600	ea	15.01.2014			
-------	--	-------------------------	-------	----	------------	--	--	--

Supply, Deliver & Offload, 4600 x M16 Nuts, Stainless Steel 316.

Please deliver to:

For: TFR (RME) Richards Bay.
 Empangeni Rail - OHTE Store.
 1 Morris Road - Att: Terrance.
 Mr Pierre Crocker - Tel: 083 279 0437.
 3900

00170		M12 X 110 Bolt Stainles	930	ea	15.01.2014			
-------	--	-------------------------	-----	----	------------	--	--	--

Supply, Deliver & Offload, 930 x M12 X 110 Bolts, Stainless Steel 304.

"PREVIEW COPY ONLY"



Transnet SOC Limited
Transnet RME
 Company
 TFR Official Tender Board.
 TFR Tender Board.
 Johannesburg.
 2000

REQUEST FOR QUOTATION

Registration Number: 1990/000900/06
Vat Number : 4720103177

Attention:
 TFR Official Tender Board.
 Telephone Number :
 Fax Number :
 Vendor Number :500000

Quotation Deadline Date : 26.11.2013
Quotation Deadline Time : 12:00

REQUEST for QUOTATION
 Transnet RME
RFQ Number / Date
 6000182266 / 15.11.2013
Contact Person / Telephone
 Eddie Quinn / 035 905 3664
Return to VAX Number/EMAIL
 0865159978 / TCPtendersRichardsBay@Transnet.net

Item	Material	Description	RFQ Qty	UoM	Required Del date	Confirm Del date	Unit Price Excl	Total Price Excl
------	----------	-------------	---------	-----	-------------------	------------------	-----------------	------------------

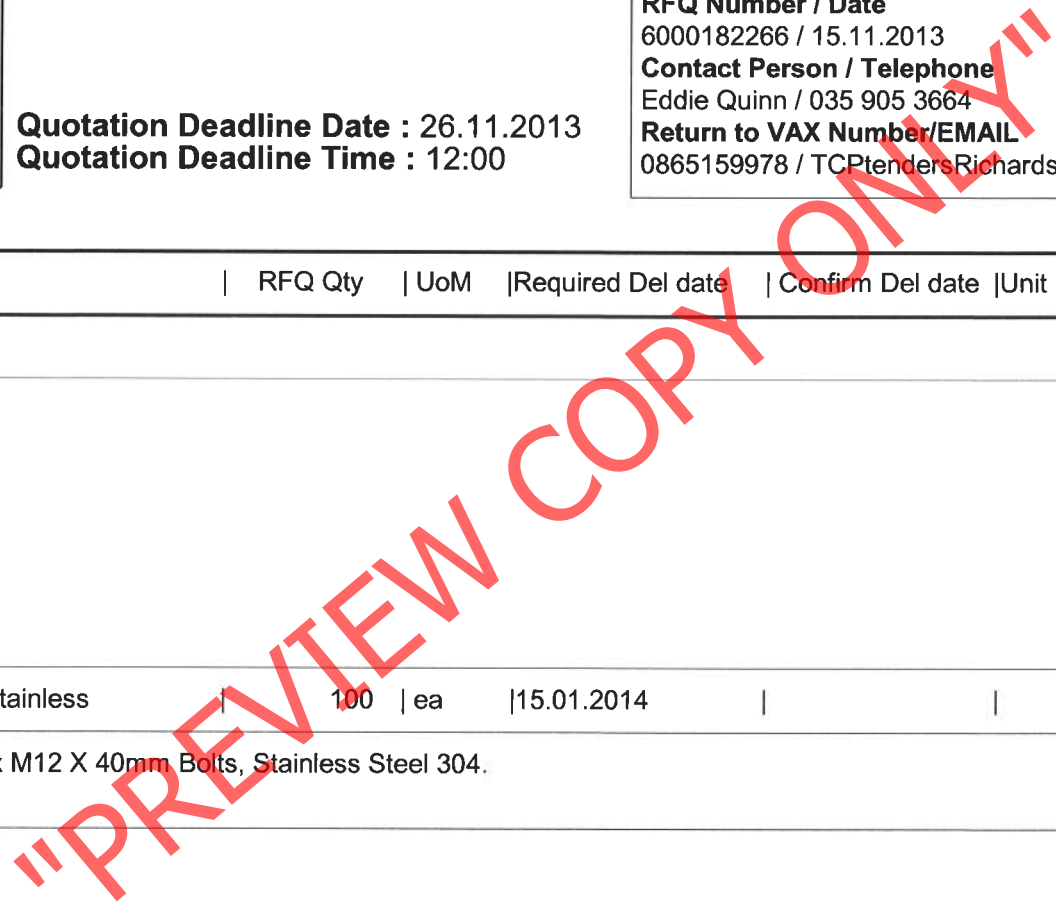
Please deliver to:

For: TFR (RME) Richards Bay.
 Empangeni Rail - OHTE Store.
 1 Morris Road - Att: Terrance.
 Mr Pierre Crocker - Tel: 083 279 0437.
 3900

00180		M12 X40 Bolt Stainless	100	ea	15.01.2014			
-------	--	------------------------	-----	----	------------	--	--	--

Supply, Deliver & Offload, 100 x M12 X 40mm Bolts, Stainless Steel 304.

Please deliver to:





Transnet SOC Limited
Transnet RME
 Company
 TFR Official Tender Board.
 TFR Tender Board.
 Johannesburg.
 2000

REQUEST FOR QUOTATION

Registration Number: 1990/000900/06
Vat Number : 4720103177

Attention:
 TFR Official Tender Board.
 Telephone Number :
 Fax Number :
 Vendor Number :500000

Quotation Deadline Date : 26.11.2013
Quotation Deadline Time : 12:00.

REQUEST for QUOTATION
 Transnet RME
RFQ Number / Date
 6000182266 / 15.11.2013
Contact Person / Telephone
 Eddie Quinn / 035 905 3664
Return to VAX Number/EMAIL
 0865159978 / TCPtendersRichardsBay@Transnet.net

Item	Material	Description	RFQ Qty	UoM	Required Del date	Confirm Del date	Unit Price Excl	Total Price Excl
------	----------	-------------	---------	-----	-------------------	------------------	-----------------	------------------

For: TFR (RME) Richards Bay.
 Empangeni Rail - OHTE Store.
 1 Morris Road - Att: Terrance.
 Mr Pierre Crocker - Tel: 083 279 0437.
 3900

00190		M12 X65 Setscrew Stainl	40	ea	15.01.2014			
-------	--	-------------------------	----	----	------------	--	--	--

Supply, Deliver & Offload, 40 x M12 X 65mm Setscrews, Stainless steel 304.

Please deliver to:

For: TFR (RME) Richards Bay.
 Empangeni Rail - OHTE Store.
 1 Morris Road - Att: Terrance.
 Mr Pierre Crocker - Tel: 083 279 0437.
 3900

00200		M12 U- Bolt Stainless	130	ea	15.01.2014			
-------	--	-----------------------	-----	----	------------	--	--	--

Supply, Deliver & Offload, 130 x M12 U-Bolts, Stainless Steel 304, as per attached Drawing No: CEE-TX-97.

"PREVIEW COPY ONLY"



REQUEST FOR QUOTATION

Transnet SOC Limited
 Transnet RME
 Company
 TFR Official Tender Board.
 TFR Tender Board.
 Johannesburg.
 2000

Registration Number: 1990/000900/06
 Vat Number : 4720103177

Attention:
 TFR Official Tender Board.
 Telephone Number :
 Fax Number :
 Vendor Number :500000

Quotation Deadline Date : 26.11.2013
Quotation Deadline Time : 12:00

REQUEST for QUOTATION
 Transnet RME
RFQ Number / Date
 6000182266 / 15.11.2013
Contact Person / Telephone
 Eddie Quinn / 035 905 3664
Return to VAX Number/EMAIL
 0865159978 / TCPTendersRichardsBay@Transnet.net

Item	Material	Description	RFQ Qty	UoM	Required Del date	Confirm Del date	Unit Price Excl	Total Price Excl
------	----------	-------------	---------	-----	-------------------	------------------	-----------------	------------------

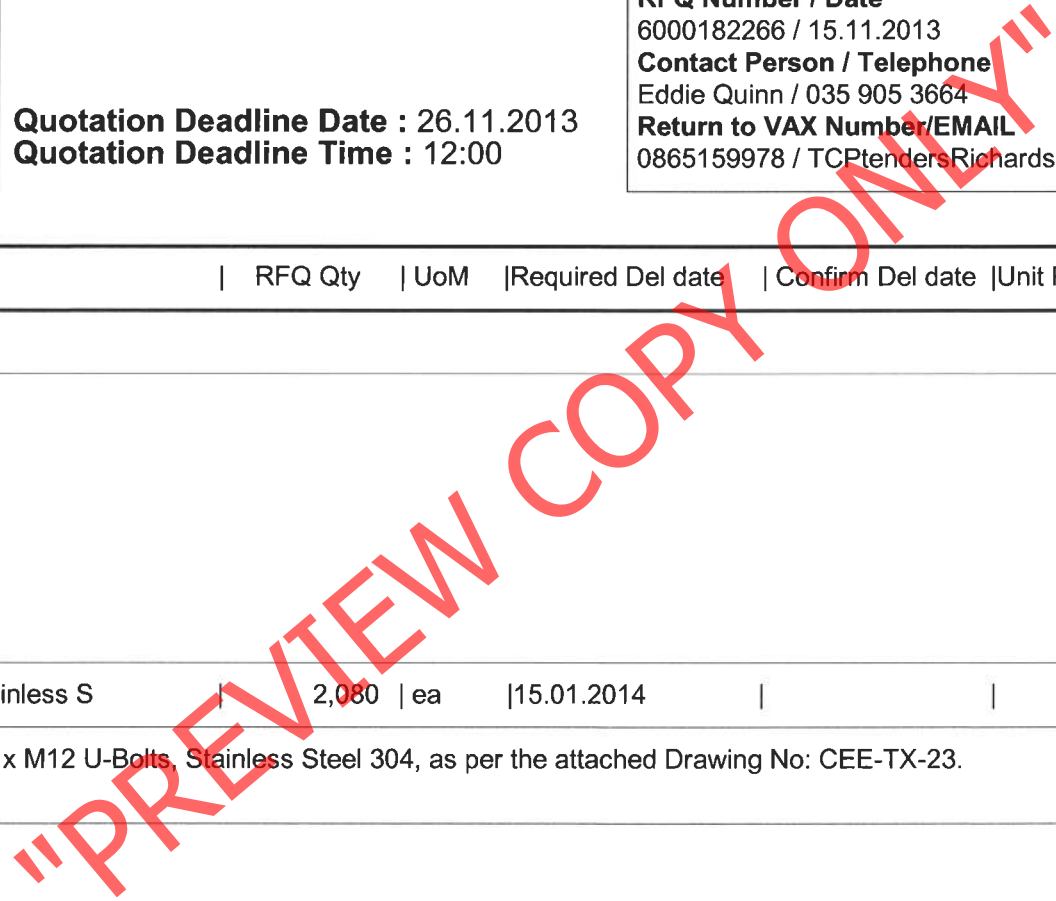
Please deliver to:

For: TFR (RME) Richards Bay.
 Empangeni Rail - OHTE Store.
 1 Morris Road - Att: Terrance.
 Mr Pierre Crocker - Tel: 083 279 0437.
 3900

00210		M12 U -Bolt Stainless S	2,080	ea	15.01.2014			
-------	--	-------------------------	-------	----	------------	--	--	--

Supply, Deliver & Offload, 2080 x M12 U-Bolts, Stainless Steel 304, as per the attached Drawing No: CEE-TX-23.

Please deliver to:





REQUEST FOR QUOTATION

Transnet SOC Limited
 Transnet RME
 Company
 TFR Official Tender Board.
 TFR Tender Board.
 Johannesburg.
 2000

Registration Number: 1990/000900/06
 Vat Number : 4720103177

Attention:
 TFR Official Tender Board.
 Telephone Number :
 Fax Number :
 Vendor Number :500000

Quotation Deadline Date : 26.11.2013
Quotation Deadline Time : 12:00

REQUEST for QUOTATION
 Transnet RME
RFQ Number / Date
 6000182266 / 15.11.2013
Contact Person / Telephone
 Eddie Quinn / 035 905 3664
Return to VAX Number/EMAIL
 0865159978 / TCPtendersRichardsBay@Transnet.net

Item	Material	Description	RFQ Qty	UoM	Required Del date	Confirm Del date	Unit Price Excl	Total Price Excl
------	----------	-------------	---------	-----	-------------------	------------------	-----------------	------------------

For: TFR (RME) Richards Bay.
 Empangeni Rail - OHTE Store.
 1 Morris Road - Att: Terrance.
 Mr Pierre Crocker - Tel: 083 279 0437.
 3900

00220		M12 Nuts Stainless 316	1,080	ea	15.01.2014			
-------	--	------------------------	-------	----	------------	--	--	--

Supply, Deliver & Offload, 1080 x M12 Nuts, Stainless 316.

Please deliver to:

For: TFR (RME) Richards Bay.
 Empangeni Rail - OHTE Store.
 1 Morris Road - Att: Terrance.
 Mr Pierre Crocker - Tel: 083 279 0437.
 3900

00230		M12 Flat Washer Stainle	1,080	ea	15.01.2014			
-------	--	-------------------------	-------	----	------------	--	--	--

Supply, Deliver & Offload, 1080 x M12 Flat Washers, Stainless Steel 304.

"PREVIEW COPY ONLY"



REQUEST FOR QUOTATION

Transnet SOC Limited
 Transnet RME
 Company
 TFR Official Tender Board.
 TFR Tender Board.
 Johannesburg.
 2000

Registration Number: 1990/000900/06
 Vat Number : 4720103177

Attention:
 TFR Official Tender Board.
 Telephone Number :
 Fax Number :
 Vendor Number :500000

Quotation Deadline Date : 26.11.2013
Quotation Deadline Time : 12:00

REQUEST for QUOTATION
 Transnet RME
RFQ Number / Date
 6000182266 / 15.11.2013
Contact Person / Telephone
 Eddie Quinn / 035 905 3664
Return to VAX Number/EMAIL
 0865159978 / TCPtendersRichardsBay@Transnet.net

Item	Material	Description	RFQ Qty	UoM	Required Del date	Confirm Del date	Unit Price Excl	Total Price Excl
------	----------	-------------	---------	-----	-------------------	------------------	-----------------	------------------

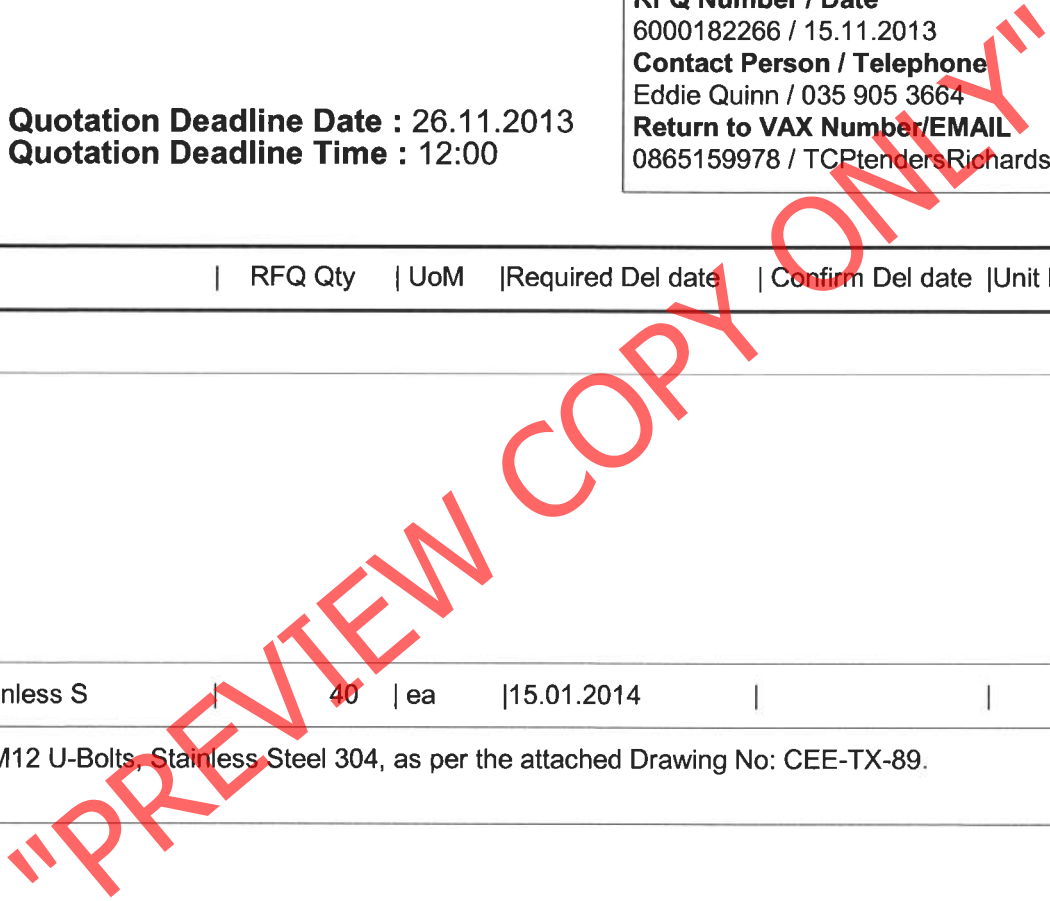
Please deliver to:

For: TFR (RME) Richards Bay.
 Empangeni Rail - OHTE Store.
 1 Morris Road - Att: Terrance.
 Mr Pierre Crocker - Tel: 083 279 0437.
 3900

00240		M12 U- Bolt Stainless S	40	ea	15.01.2014			
-------	--	-------------------------	----	----	------------	--	--	--

Supply, Deliver & Offload, 40 x M12 U-Bolts, Stainless Steel 304, as per the attached Drawing No: CEE-TX-89.

Please deliver to:





REQUEST FOR QUOTATION

Transnet SOC Limited
Transnet RME
 Company
 TFR Official Tender Board.
 TFR Tender Board.
 Johannesburg.
 2000

Registration Number: 1990/000900/06
Vat Number : 4720103177

Attention:
 TFR Official Tender Board.
 Telephone Number :
 Fax Number :
 Vendor Number :500000

Quotation Deadline Date : 26.11.2013
Quotation Deadline Time : 12:00

REQUEST for QUOTATION
 Transnet RME
RFQ Number / Date
 6000182266 / 15.11.2013
Contact Person / Telephone
 Eddie Quinn / 035 905 3664
Return to VAX Number/EMAIL
 0865159978 / TCPtendersRichardsBay@Transnet.net

Item	Material	Description	RFQ Qty	UoM	Required Del date	Confirm Del date	Unit Price Excl	Total Price Excl
------	----------	-------------	---------	-----	-------------------	------------------	-----------------	------------------

For: TFR (RME) Richards Bay.
 Empangeni Rail - OHTE Store.
 1 Morris Road - Att: Terrance.
 Mr Pierre Crocker - Tel: 083 279 0437.
 3900

00250		Pin Straight Headed 24m	70	ea	15.01.2014			
-------	--	-------------------------	----	----	------------	--	--	--

Supply, Deliver & Offload, 70 x Pins, Straight, Headed 24mm Dia, Pin 76mm Long, Stainless Steel, as per the attached Drawing No: CEE-TX-59.

Please deliver to:

For: TFR (RME) Richards Bay.
 Empangeni Rail - OHTE Store.
 1 Morris Road - Att: Terrance.
 Mr Pierre Crocker - Tel: 083 279 0437.
 3900

00260		Pin Straight Headed 16m	5,600	ea	15.01.2014			
-------	--	-------------------------	-------	----	------------	--	--	--

Supply, Deliver & Offload, 5600 x Pins, Straight, Headed 16mm Dia, Pins x 50mm Long, Stainless Steel, as per the attached Drawing No: CEE-TX-66, Complete with Locking Split Pins.



REQUEST FOR QUOTATION

Transnet SOC Limited
 Transnet RME
 Company
 TFR Official Tender Board.
 TFR Tender Board.
 Johannesburg.
 2000

Registration Number: 1990/000900/06
 Vat Number : 4720103177

Attention:
 TFR Official Tender Board.
 Telephone Number :
 Fax Number :
 Vendor Number :500000

Quotation Deadline Date : 26.11.2013
Quotation Deadline Time : 12:00

REQUEST for QUOTATION
 Transnet RME
RFQ Number / Date
 6000182266 / 15.11.2013
Contact Person / Telephone
 Eddie Quinn / 035 905 3664
Return to VAX Number/EMAIL
 0865159978 / TCPtendersRichardsBay@Transnet.net

Item	Material	Description	RFQ Qty	UoM	Required Del date	Confirm Del date	Unit Price Excl	Total Price Excl
------	----------	-------------	---------	-----	-------------------	------------------	-----------------	------------------

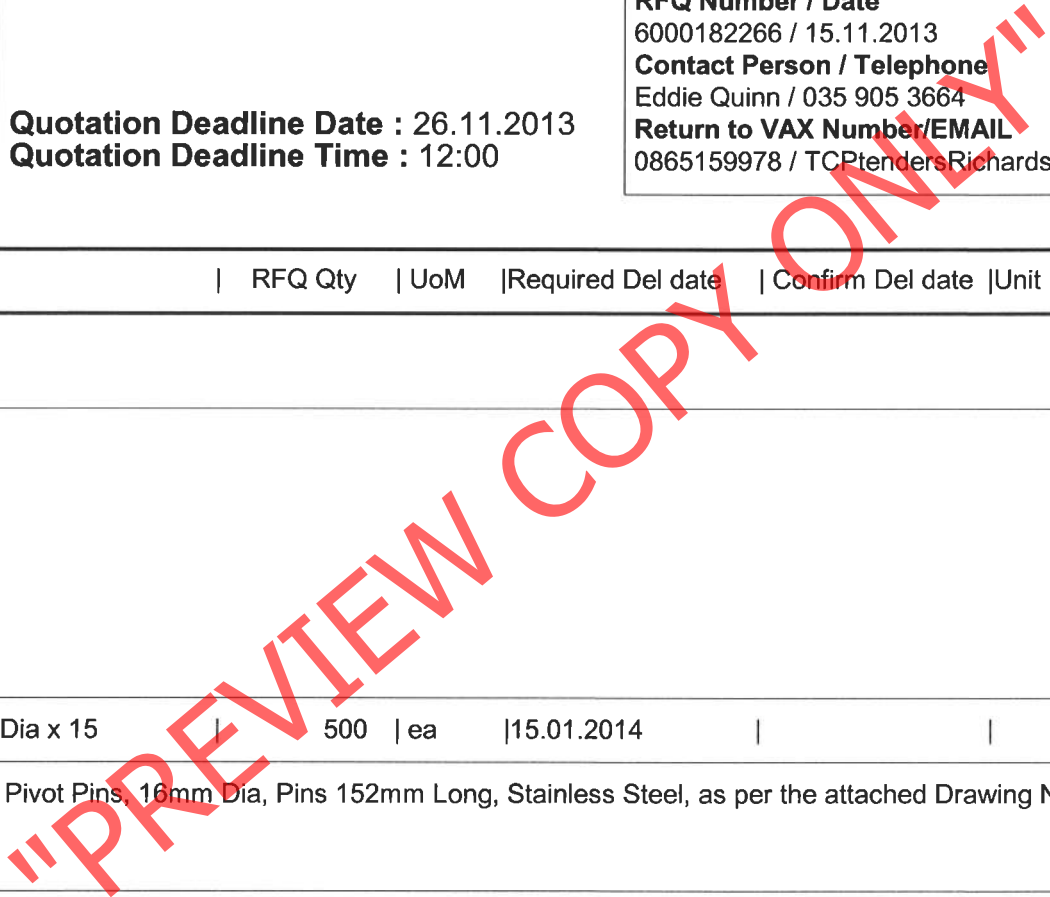
Please deliver to:

For: TFR (RME) Richards Bay.
 Empangeni Rail - OHTE Store.
 1 Morris Road - Att: Terrance.
 Mr Pierre Crocker - Tel: 083 279 0437.
 3900

00270		Pivot pin 16mm Dia x 15	500	ea	15.01.2014			
-------	--	-------------------------	-----	----	------------	--	--	--

Supply, Deliver & Offload, 500 x Pivot Pins, 16mm Dia, Pins 152mm Long, Stainless Steel, as per the attached Drawing No: CEE-TX-119, Complete with Locking Split Pins.

Please deliver to:





REQUEST FOR QUOTATION

Transnet SOC Limited
Transnet RME
 Company
 TFR Official Tender Board.
 TFR Tender Board.
 Johannesburg.
 2000

Registration Number: 1990/000900/06
Vat Number : 4720103177

Attention:
 TFR Official Tender Board.
 Telephone Number :
 Fax Number :
 Vendor Number :500000

Quotation Deadline Date : 26.11.2013
Quotation Deadline Time : 12:00

REQUEST for QUOTATION
 Transnet RME
RFQ Number / Date
 6000182266 / 15.11.2013
Contact Person / Telephone
 Eddie Quinn / 035 905 3664
Return to VAX Number/EMAIL
 0865159978 / TCPtendersRichardsBay@Transnet.net

Item	Material	Description	RFQ Qty	UoM	Required Del date	Confirm Del date	Unit Price Excl	Total Price Excl
------	----------	-------------	---------	-----	-------------------	------------------	-----------------	------------------

For: TFR (RME) Richards Bay.
 Empangeni Rail - OHTE Store.
 1 Morris Road - Att: Terrance.
 Mr Pierre Crocker - Tel: 083 279 0437.
 3900

00280		M36 Nut HDG	140	ea	15.01.2014			
-------	--	-------------	-----	----	------------	--	--	--

Supply, Deliver & Offload, 140 x M36 Nuts, Hot Dipped Galvanised.

Please deliver to:

For: TFR (RME) Richards Bay.
 Empangeni Rail - OHTE Store.
 1 Morris Road - Att: Terrance.
 Mr Pierre Crocker - Tel: 083 279 0437.
 3900

00290		M36 Flat Washer HDG	70	ea	15.01.2014			
-------	--	---------------------	----	----	------------	--	--	--

Supply, Deliver & Offload, 70 x M36 Flat Washers, Hot Dipped Galvanised.

"PREVIEW COPY ONLY"



Transnet SOC Limited
Transnet RME
 Company
 TFR Official Tender Board.
 TFR Tender Board.
 Johannesburg.
 2000

REQUEST FOR QUOTATION

Registration Number: 1990/000900/06
Vat Number : 4720103177

Attention:
 TFR Official Tender Board.
 Telephone Number :
 Fax Number :
 Vendor Number :500000

Quotation Deadline Date : 26.11.2013
Quotation Deadline Time : 12:00

REQUEST for QUOTATION
 Transnet RME
RFQ Number / Date
 6000182266 / 15.11.2013
Contact Person / Telephone
 Eddie Quinn / 035 905 3664
Return to VAX Number/EMAIL
 0865159978 / TCPtendersRichardsBay@Transnet.net

Item	Material	Description	RFQ Qty	UoM	Required Del date	Confirm Del date	Unit Price Excl	Total Price Excl
------	----------	-------------	---------	-----	-------------------	------------------	-----------------	------------------

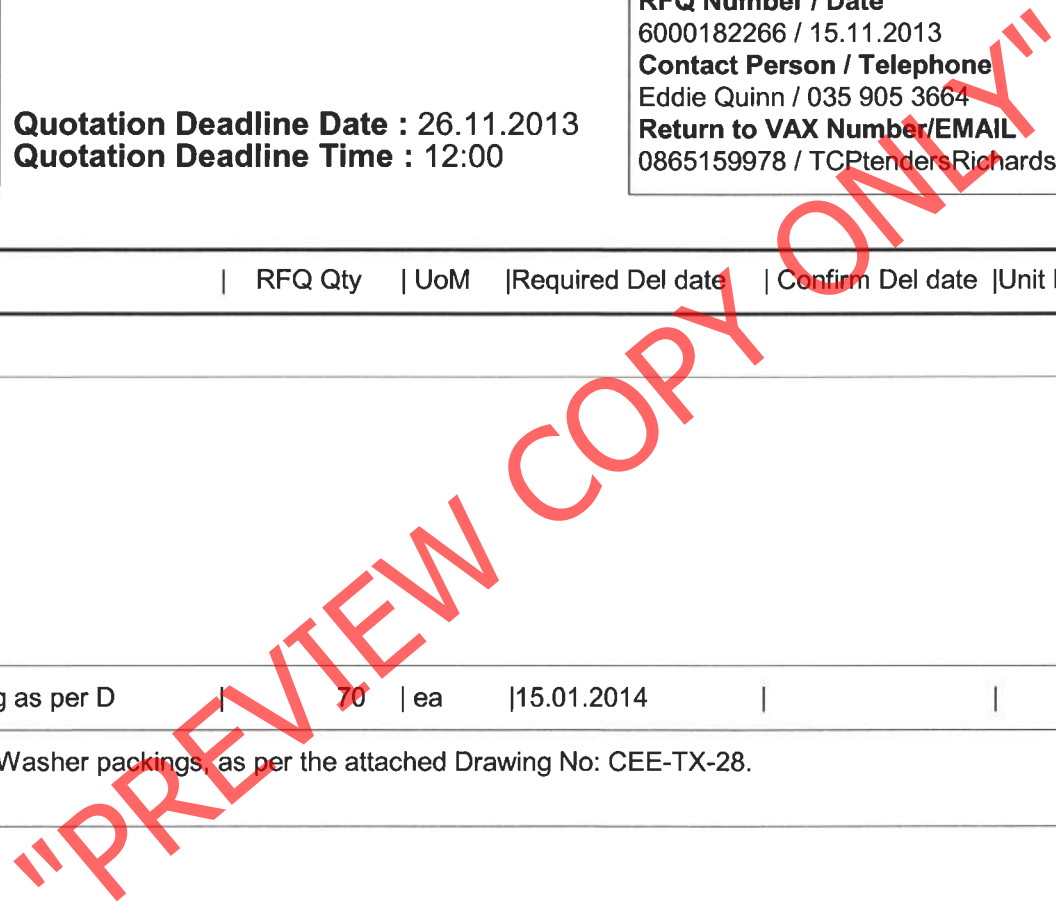
Please deliver to:

For: TFR (RME) Richards Bay.
 Empangeni Rail - OHTE Store.
 1 Morris Road - Att: Terrance.
 Mr Pierre Crocker - Tel: 083 279 0437.
 3900

00300		Washer packing as per D	70	ea	15.01.2014			
-------	--	-------------------------	----	----	------------	--	--	--

Supply, Deliver & Offload, 70 x Washer packings, as per the attached Drawing No: CEE-TX-28.

Please deliver to:





Transnet SOC Limited
Transnet RME
 Company
 TFR Official Tender Board.
 TFR Tender Board.
 Johannesburg.
 2000

REQUEST FOR QUOTATION

Registration Number: 1990/000900/06
Vat Number : 4720103177

Attention:
 TFR Official Tender Board.
 Telephone Number :
 Fax Number :
 Vendor Number :500000

Quotation Deadline Date : 26.11.2013
Quotation Deadline Time : 12:00

REQUEST for QUOTATION
 Transnet RME
RFQ Number / Date
 6000182266 / 15.11.2013
Contact Person / Telephone
 Eddie Quinn / 035 905 3664
Return to VAX Number/EMAIL
 0865159978 / TCPtendersRichardsBay@Transnet.net

Item	Material	Description	RFQ Qty	UoM	Required Del date	Confirm Del date	Unit Price Excl	Total Price Excl
------	----------	-------------	---------	-----	-------------------	------------------	-----------------	------------------

For: TFR (RME) Richards Bay.
 Empangeni Rail - OHTE Store.
 1 Morris Road - Att: Terrance.
 Mr Pierre Crocker - Tel: 083 279 0437.
 3900

00310		Dowel Pin Stainless Ste	140	ea	15.01.2014			
-------	--	-------------------------	-----	----	------------	--	--	--

Supply, Deliver & Offload, 140 x Dowel Pins, Stainless Steel, 10mm Dia X 50mm Long.

Please deliver to:

For: TFR (RME) Richards Bay.
 Empangeni Rail - OHTE Store.
 1 Morris Road - Att: Terrance.
 Mr Pierre Crocker - Tel: 083 279 0437.
 3900

00320		M20 X 1m Long Threaded	60	ea	15.01.2014			
-------	--	------------------------	----	----	------------	--	--	--

Supply, Deliver & Offload, 60 x M20 X 1m Long Threaded Bars, Stainless Steel 304.

"PREVIEW COPY ONLY"



Transnet SOC Limited
Transnet RME
 Company
 TFR Official Tender Board.
 TFR Tender Board.
 Johannesburg.
 2000

REQUEST FOR QUOTATION

Registration Number: 1990/000900/06
Vat Number : 4720103177

Attention:
 TFR Official Tender Board.
 Telephone Number :
 Fax Number :
 Vendor Number :500000

Quotation Deadline Date : 26.11.2013
Quotation Deadline Time : 12:00

REQUEST for QUOTATION
 Transnet RME
RFQ Number / Date
 6000182266 / 15.11.2013
Contact Person / Telephone
 Eddie Quinn / 035 905 3664
Return to VAX Number/EMAIL
 0865159978 / TCPtendersRichardsBay@Transnet.net

Item	Material	Description	RFQ Qty	UoM	Required Del date	Confirm Del date	Unit Price Excl	Total Price Excl
------	----------	-------------	---------	-----	-------------------	------------------	-----------------	------------------

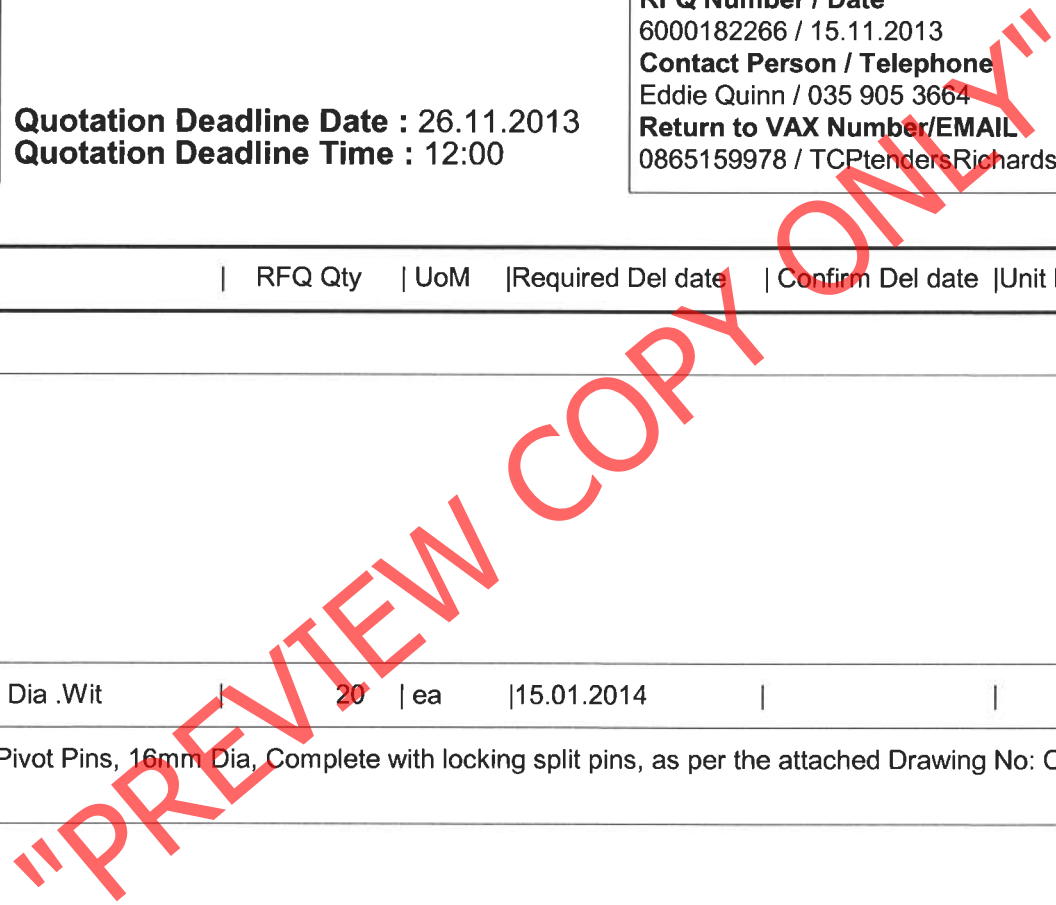
Please deliver to:

For: TFR (RME) Richards Bay.
 Empangeni Rail - OHTE Store.
 1 Morris Road - Att: Terrance.
 Mr Pierre Crocker - Tel: 083 279 0437.
 3900

00330		Pivot Pin 16mm Dia .Wit	20	ea	15.01.2014			
-------	--	-------------------------	----	----	------------	--	--	--

Supply, Deliver & Offload, 20 x Pivot Pins, 16mm Dia, Complete with locking split pins, as per the attached Drawing No: CEE-TN-197.

Please deliver to:





Transnet SOC Limited
Transnet RME
 Company
 TFR Official Tender Board.
 TFR Tender Board.
 Johannesburg.
 2000

REQUEST FOR QUOTATION

Registration Number: 1990/000900/06
Vat Number : 4720103177

Attention:
 TFR Official Tender Board.
 Telephone Number :
 Fax Number :
 Vendor Number :500000

Quotation Deadline Date : 26.11.2013
Quotation Deadline Time : 12:00

REQUEST for QUOTATION
 Transnet RME
RFQ Number / Date
 6000182266 / 15.11.2013
Contact Person / Telephone
 Eddie Quinn / 035 905 3664
Return to VAX Number/EMAIL
 0865159978 / TCPtendersRichardsBay@Transnet.net

Item	Material	Description	RFQ Qty	UoM	Required Del date	Confirm Del date	Unit Price Excl	Total Price Excl
------	----------	-------------	---------	-----	-------------------	------------------	-----------------	------------------

For: TFR (RME) Richards Bay.
 Empangeni Rail - OHTE Store.
 1 Morris Road - Att: Terrance.
 Mr Pierre Crocker - Tel: 083 279 0437.
 3900

00340		M20 X 240mm Bolt Stainl	70	ea	15.01.2014			
-------	--	-------------------------	----	----	------------	--	--	--

Supply, Deliver & Offload, 70 x M20 X 240mm Bolts, Stainless Steel 304, Rolled Thread = Length 90mm, with Forged Head - NO ALTERNATIVE !!!!!
 Delivered to: 1 Morris Road - Empangeni Rail - OHTE Store.
 Contact: Mr Pierre Crocker Tel: 083 279 0437 / 035-905 3638.

Transnet Limited t/a Transnet Freight Rail (R.M.E.) # Richards Bay, hereby invite your company to submit a detailed quotation for:

The Supply, Delivery & Offloading of Various OHTE Fasteners & Pins, To Transnet Specifications and Drawings, All items mentioned above should be delivered to:
 1 Morris Road, Empangeni Rail, OHTE Store, Att: Terrance.

All technical queries relating to this invitation may be addressed to;
 Mr. Pierre Crocker Tel: 083 279 0437 / 035-905 3638.

All tender related queries pertaining to this invitation may be addressed to;
 Mr. Eddie Quinn, Tel: 035 # 905 3664.



REQUEST FOR QUOTATION

Transnet SOC Limited
Transnet RME
 Company
 TFR Official Tender Board.
 TFR Tender Board.
 Johannesburg.
 2000

Registration Number: 1990/000900/06
Vat Number : 4720103177

Attention:
 TFR Official Tender Board.
 Telephone Number :
 Fax Number :
 Vendor Number :500000

Quotation Deadline Date : 26.11.2013
Quotation Deadline Time : 12:00

REQUEST for QUOTATION
 Transnet RME
RFQ Number / Date
 6000182266 / 15.11.2013
Contact Person / Telephone
 Eddie Quinn / 035 905 3664
Return to VAX Number/EMAIL
 0865159978 / TCPtendersRichardsBay@Transnet.net

Item	Material	Description	RFQ Qty	UoM	Required Del date	Confirm Del date	Unit Price Excl	Total Price Excl
------	----------	-------------	---------	-----	-------------------	------------------	-----------------	------------------

The closing time for receipt of your official quotations is 12:00 hours on Thursday, 26 November 2013.

Telephonic and late quotes will not be accepted.
 All quotations should be clearly marked, and may be dropped in our tender box, or alternatively forwarded to:
 Me Yogeshnie Gengan, Tender & Fax Assistant,
 Fax No: 086 515 9978 and / or
 e-mailed to: TCPtendersRichardsBay@transnet.net

Physical address for delivering quotations, if required, is:

Transnet Capital Projects Richards Bay
 Tender Box in Main Foyer
 Old Naval Base,
 Commodores Close,
 Meerensee,

The contractor's address and identification details have to be shown on each quotation submitted.

Please supply the following documents with your quotation submitted;

- Valid Tax Clearance certificate.
- Copy of your latest B.B.B.E.E. Certificate.

Failing to submit any of the documents mentioned above, could result in your quotation to be disqualified / not accepted.



Transnet SOC Limited
Transnet RME
 Company
 TFR Official Tender Board.
 TFR Tender Board.
 Johannesburg.
 2000

REQUEST FOR QUOTATION

Registration Number: 1990/000900/06
Vat Number : 4720103177

Attention:
 TFR Official Tender Board.
 Telephone Number :
 Fax Number :
 Vendor Number :500000

Quotation Deadline Date : 26.11.2013
Quotation Deadline Time : 12:00

REQUEST for QUOTATION
 Transnet RME
RFQ Number / Date
 6000182266 / 15.11.2013
Contact Person / Telephone
 Eddie Quinn / 035 905 3664
Return to VAX Number/EMAIL
 0865159978 / TCPtendersRichardsBay@Transnet.net

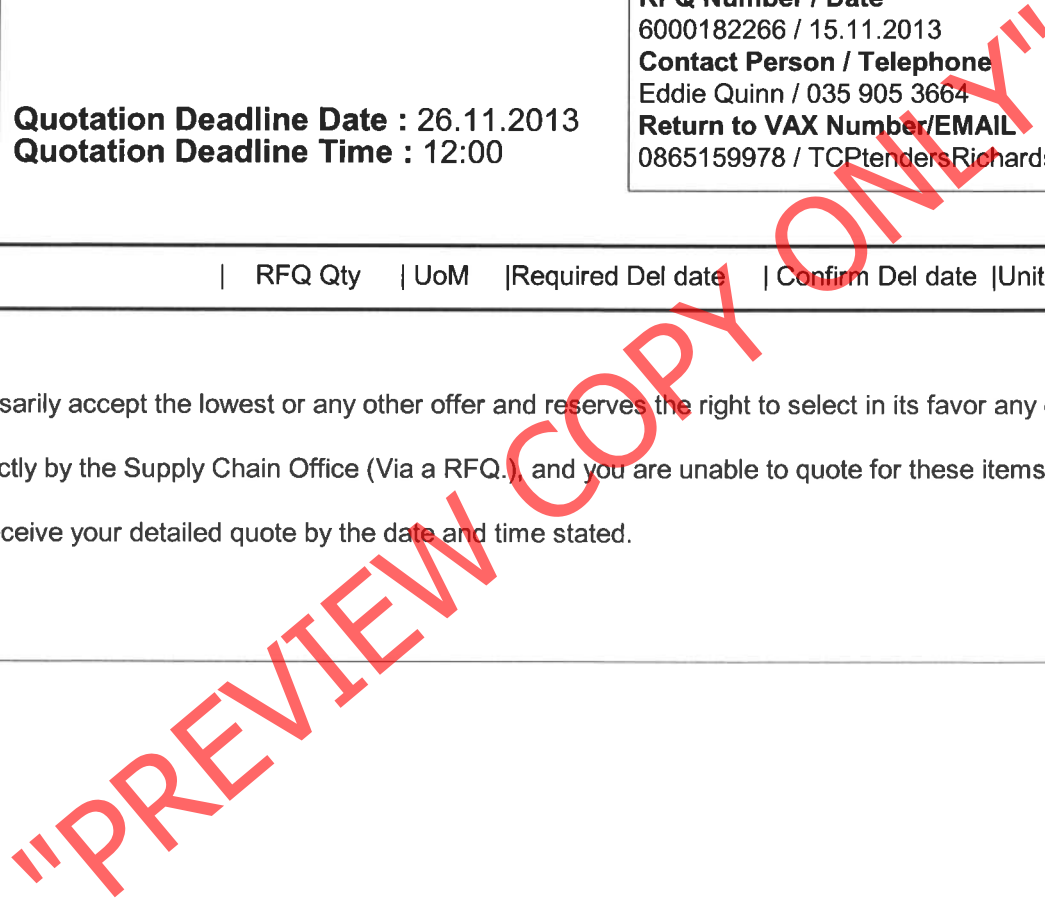
Item	Material	Description	RFQ Qty	UoM	Required Del date	Confirm Del date	Unit Price Excl	Total Price Excl
------	----------	-------------	---------	-----	-------------------	------------------	-----------------	------------------

Note: #Transnet may not necessarily accept the lowest or any other offer and reserves the right to select in its favor any or, a portion of any offer made"
 If you have been contacted directly by the Supply Chain Office (Via a RFQ.), and you are unable to quote for these items, please submit a "NO QUOTE".
 Otherwise we look forward to receive your detailed quote by the date and time stated.

Yours faithfully,

Please deliver to:

For: TFR (RME) Richards Bay.
 Empangeni Rail - OHTE Store.
 1 Morris Road - Att: Terrance.
 Mr Pierre Crocker - Tel: 083 279 0437.
 3900





Transnet SOC Limited
Transnet RME
 Company
 TFR Official Tender Board.
 TFR Tender Board.
 Johannesburg.
 2000

REQUEST FOR QUOTATION

Registration Number: 1990/000900/06
Vat Number : 4720103177

Attention:
 TFR Official Tender Board.
 Telephone Number :
 Fax Number :
 Vendor Number :500000

Quotation Deadline Date : 26.11.2013
Quotation Deadline Time : 12:00

REQUEST for QUOTATION
 Transnet RME
RFQ Number / Date
 6000182266 / 15.11.2013
Contact Person / Telephone
 Eddie Quinn / 035 905 3664
Return to VAX Number/EMAIL
 0865159978 / TCPtendersRichardsBay@Transnet.net

Delivery Address

TFR RME Richards Bay
 Old Naval Base, Commodores Clo
 Meerensee, Richards Bay
 3900

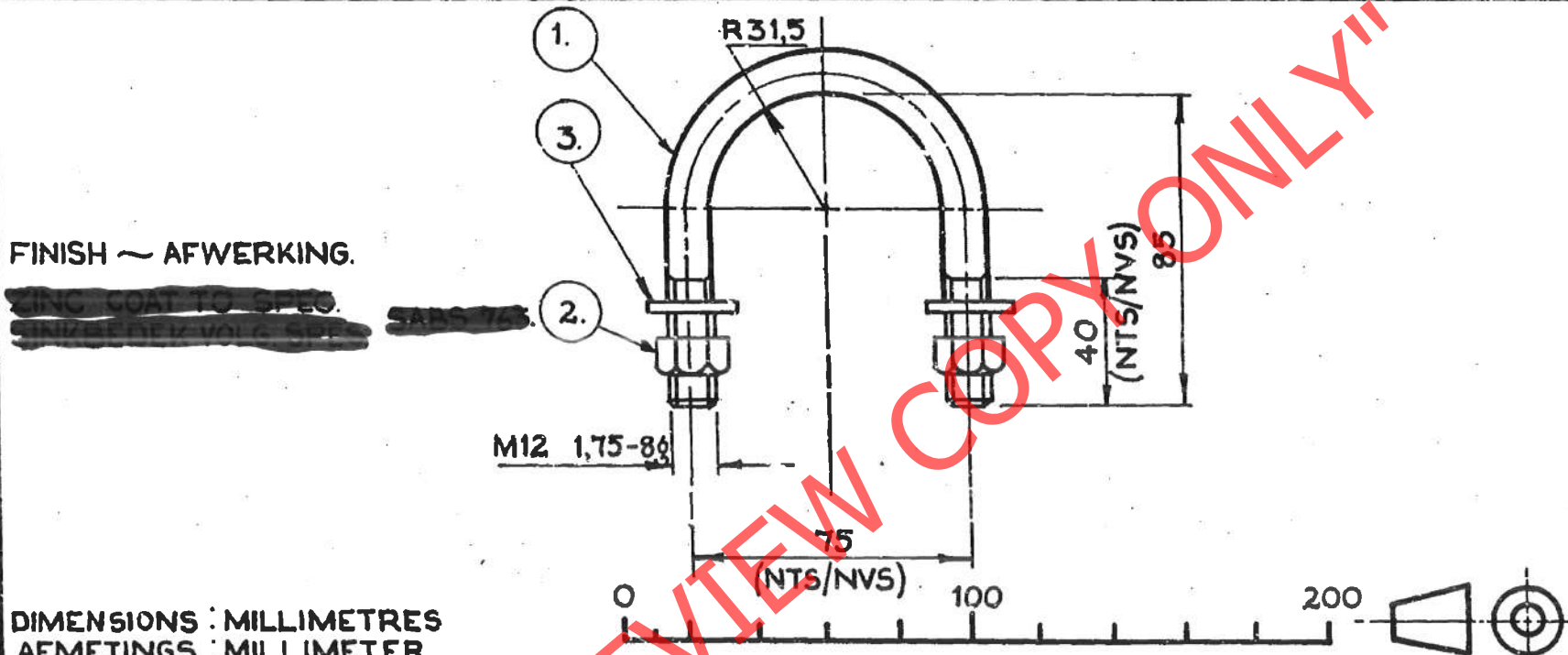
This RFQ is subject to the following conditions:

1. Price/s : The price/s quoted in SA currency and is excluding of V.A.T
2. Delivery : The price/s quoted should include delivery cost to the delivery address stated on the RFQ
3. Returnables : A valid tax clearance certificate and BBBEE certificate from a SANAS accredited verification agency attached to quotation for all quotes above R30 000.
Please note that only the official Transnet RFQ will be accepted and all other correspondence to be attached to the original
4. Safety : To confirm to Transnet Capital Projects Health & Safety plan and specification; HAS-std-0001, copy available on request.
5. Confirmation: To confirm your participation in this tender process please sign and return this document as immediate effect prior to the quotation deadline.
6. Negotiations: The Employer may elect to negotiate the final terms of the contract/order with the preferred tenderer in accordance with Clauses F.2.17 and F.3.13 of the CIDB Standard Conditions of Tender. A copy of which is available upon request.

Signature _____

Date _____

ITEM	DESCRIPTION ~ BESKRYWING	QTY HVLD	STORES MAGASYN NO.	AMENDMENTS WYSIGINGS
1.	STEEL, ROUND $\phi 12 \times 225L$ TO SPEC CME 9 SYM 7 STAAI, ROND VOLG. SPES CME 9 SIM 7	1.	(M)11/2740	NO. NAME NAAM DATE DATUM
2.	NUT, PLAIN, HEX, STEEL, XXXX M12 MOER, GEWONE, SESK, STAAL, XXXX M12	2.	(M)1/32856	2. B.Stewart 82-04-22
3.	WASHER, FLAT, STEEL, ROUND, NORMAL, XXXX M12. WASTER, PLAT, STAAL, ROND, NORMAAL, XXXX M12.	2.	(M)1/33659	



DIMENSIONS : MILLIMETRES AFMETINGS : MILLIMETER	
DRN. B. v.d. WEST. GET.	GEN. TOLERANCES : LIN. $\pm 0,5$ ALG. TOLERANSIES, ANG./HOEK \pm —
TRCD. K. HUGHES NGT.	D.O. REF. _____ TK.-VERW. _____
CKD. R.A. MACMILLAN NGS.	ENG. IR. _____ DATE 30-02-13 DATUM: _____
CHIEF ELECTRICAL ENGINEER ELEKTRIESE HOOFINGENIEUR JOHANNESBURG	
SOUTH AFRICAN TRANSPORT SERVICES SUID-AFRIKAANSE VERVOERDIENSTE	

U - BOLT
M12
U - BOUT

REDRAWN IN INK.
OORGETEKEN IN INK.
D.O. REF. T1/81/74
TK.-VERW.

3. J.SWIEGERS. 83-03-10

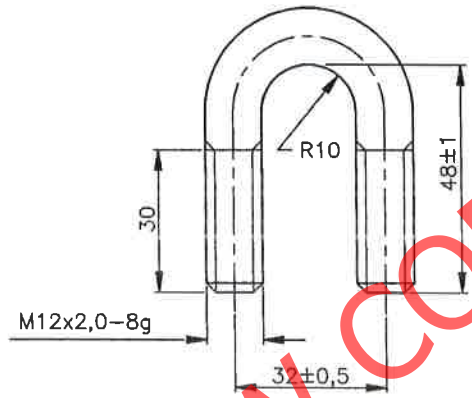
ASSY. DRG. NO. ADDED
SAMEST. TEK.-NO.
BYGEVOEG.
D.O. REF. T2/82/129
TK.-VERW.

CEE-TMG-108
CEE-TMG-99 & 100
CEE-TMG-101 & 102
CEE-TMG-108 & 10,
CEE-TMG-110 & 111
CEE-TMG-8A
ASSY. DRG.
SAMEST.-TEK.

DRAWING NO. CEE-
TEKENING

TX-23

REQ: 103555 38



NOTE

AMENDMENTS		
NO	NAME	DATE
4	L O BORCHARD	95-05-11

REDRAWN, STAINLESS STEEL ADDED.
DO REF T95/003

DIMENSIONS: mm
SCALE: 1:1

MATERIAL: ITEM NO 11/— STEEL, ROUND, Ø12 X 127 LG OR STAINLESS STEEL

DO REF: C29/71	GEN TOL: LIN± 1	ANG± -
DRN: G N	CKD: -	DATE: 71-03-25
ENG: -	F PIENAAR for CHIEF ENG	

U-BOLT M12

INFRASTRUCTURE
(ELECTRICAL)



A4
 DRG NO CEE-
 TX-89
 SHT - OF -

T0000776

Δ
3

Δ

Δ
4

Δ
4

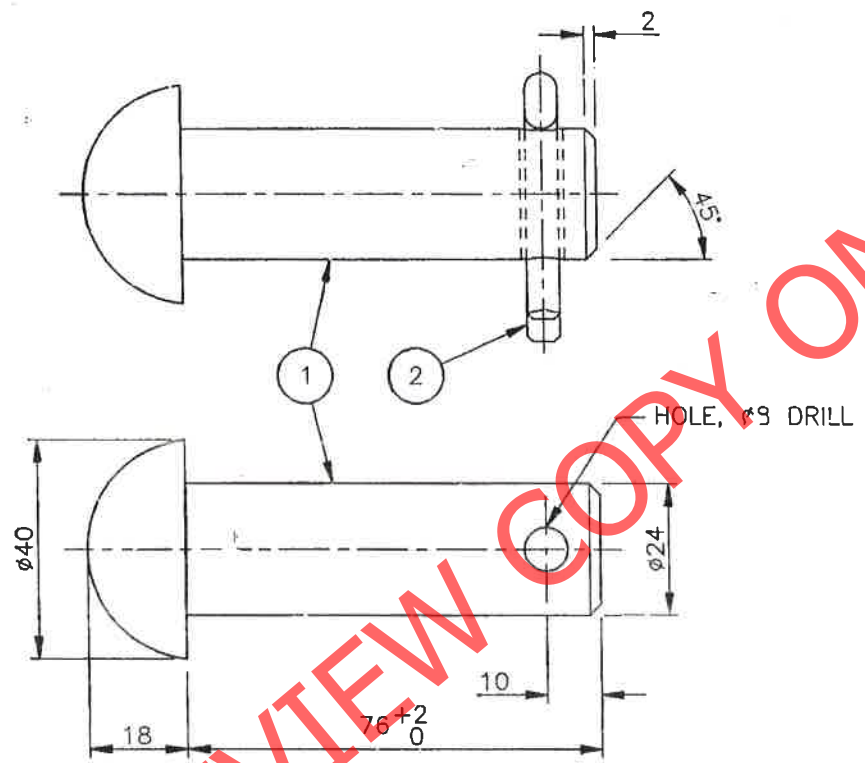
Δ

Δ
3

REQ: 10355538

ITEM	DESCRIPTION	QTY	STORES ITEM NO	DRG NO CEE-	AMENDMENTS		
1	PIN, STRAIGHT, HEADED, MILD STEEL, $\phi 24$ *	1	1/---	---	NO	NAME	DATE
2	PIN, COTTER, BRASS, $\phi 6,3 \times 36$ LG	1	54/3795	---	3	JVT	97-09-05

DRAWING REVISED.
DO REF: T96/021



"PREVIEW COPY ONLY"

* FINISH

STORES ITEM NO
54/4007

DIMENSIONS: mm
SCALE: 1:1

A3

DO REF: C227/68	GEN TOL: LIN \pm 0,5	ANG \pm 1'
DRN: M.K.	CKD: F.W.C.	DATE: 69-04-18
ENG: R.C.K.	W ROGERS	for CHIEF ENG

PIN, STRAIGHT, HEADED, $\phi 24 \times 76$ LG

COMPLETE WITH COTTER PIN.

DRAWING NO CEE-
TX-59
SHEET — OF —

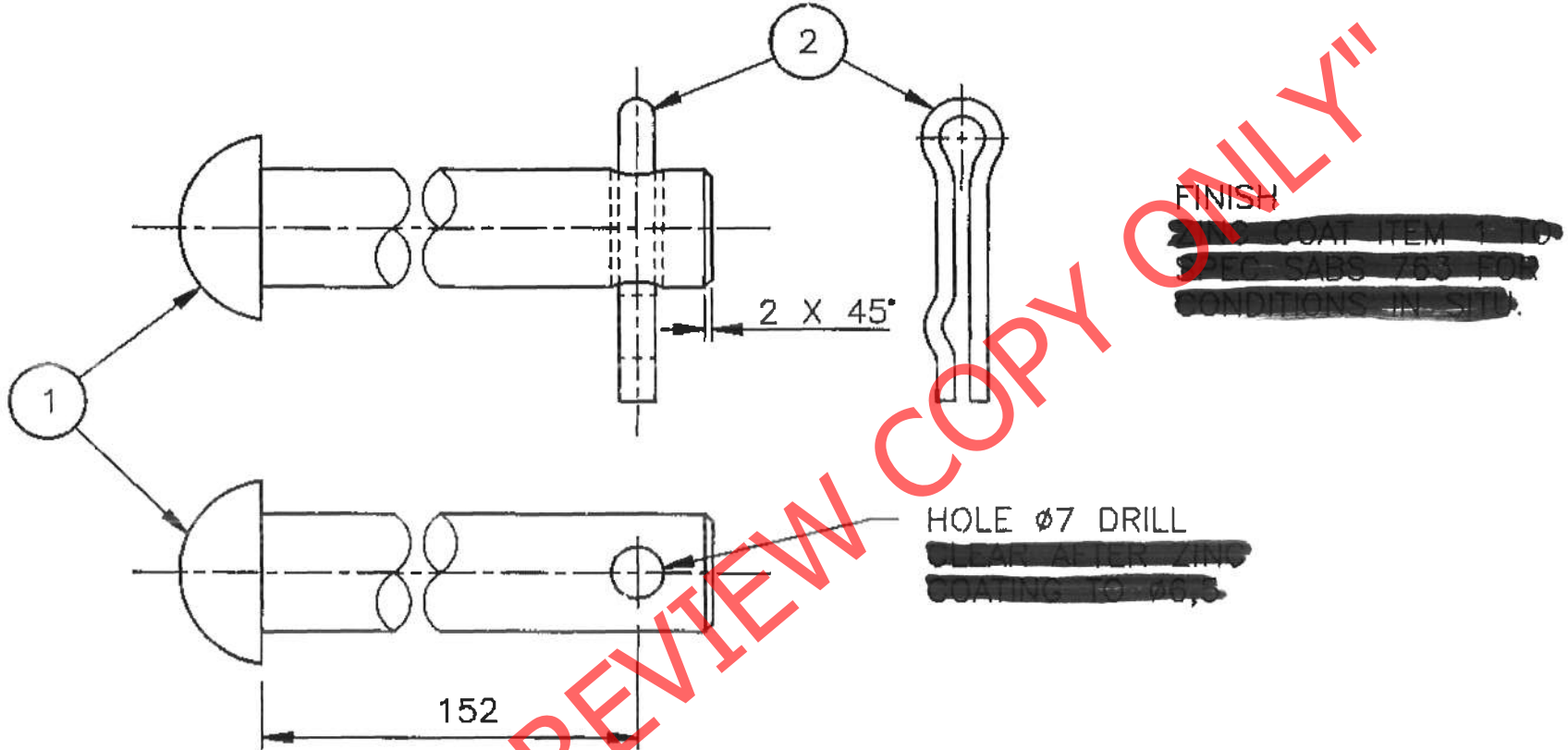
INFRASTRUCTURE
(ELECTRICAL)



R80: 103555 20

ITEM	DESCRIPTION	QTY	STORES ITEM NO	DRG NO CEE-	AMENDMENTS		
1	RIVET, STEEL, SNAP HEAD, $\phi 16$ x 160 LG	1	_____	_____	NO	NAME	DATE
2	LOCKING SPLIT PIN	1	54/3734	TX-54	1	JVT	97-04-07

REVISED. DRG NO WAS TN-183. DO REF T96/001



"PREVIEW COPY ONLY"

DIMENSIONS: mm
SCALE: 1:1



DO REF: T80/65	GEN TOL: LIN $\pm 0,5$	ANG $\pm 1^\circ$
DRN: T HUMAN	CKD: R McMILLAN	DATE: 80-04-02
ENG: _____	GA WILLIAMS	for CHIEF ENG

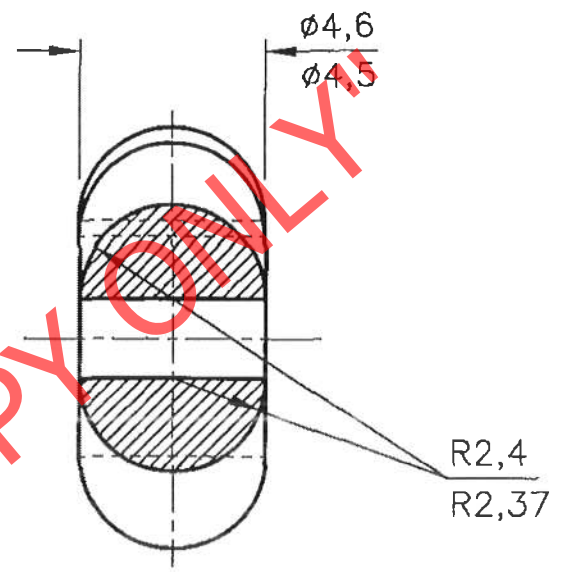
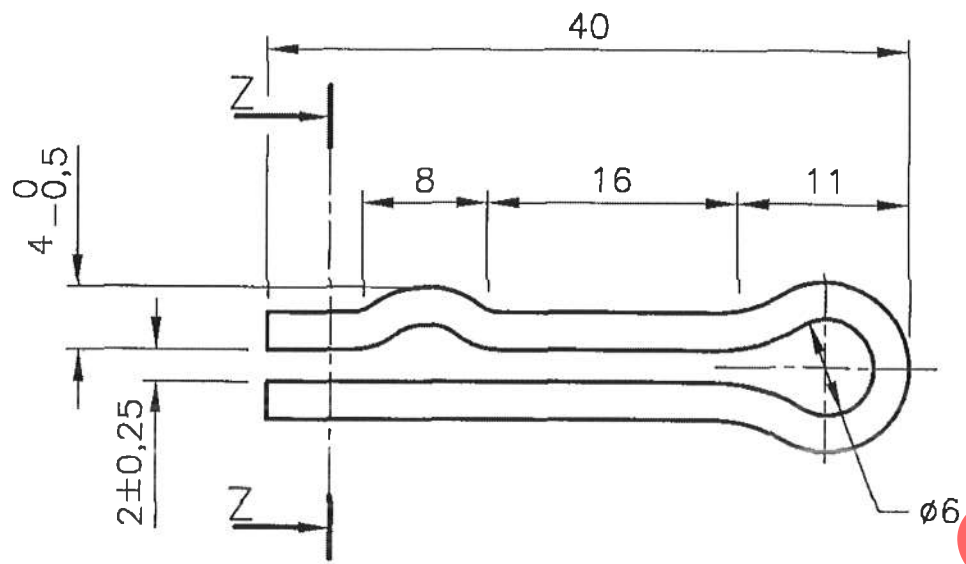
PIVOT PIN $\phi 16$
WITH LOCKING SPLIT PIN

DRG NO CEE-
TX-119
SHT — OF —

INFRASTRUCTURE
(ELECTRICAL)



R00: 10355540 a 39



SECTION Z - Z
SCALE 5:1

AMENDMENTS		
NO	NAME	DATE
2	J v DÿK	94-8-4
DRG REVISED. DO RÉF T94/046		
3	J HARCUS	98-6-25
PIN DIAMETER WAS ø4,8/ø4,74 DO REF: T98/028		

STORES ITEM NO.
54/3734
DIMENSIONS: mm
SCALE: 2:1

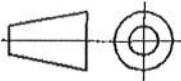
MATERIAL: ITEM NO —, BRASS TO SPEC BS 2873/CZ 108 OR STAINLESS STEEL TO SPEC BS 970 GRADE 316S16

DO REF: N37/69	GEN TOL: LIN ± 0,5	ANG ± —
DRN: C.J.S.	CKD: R.N.	DATE: 69-03-03
ENG: F PIENAAR	F PIENAAR	for CHIEF ENG

COTTER PIN

INFRASTRUCTURE
(ELECTRICAL)

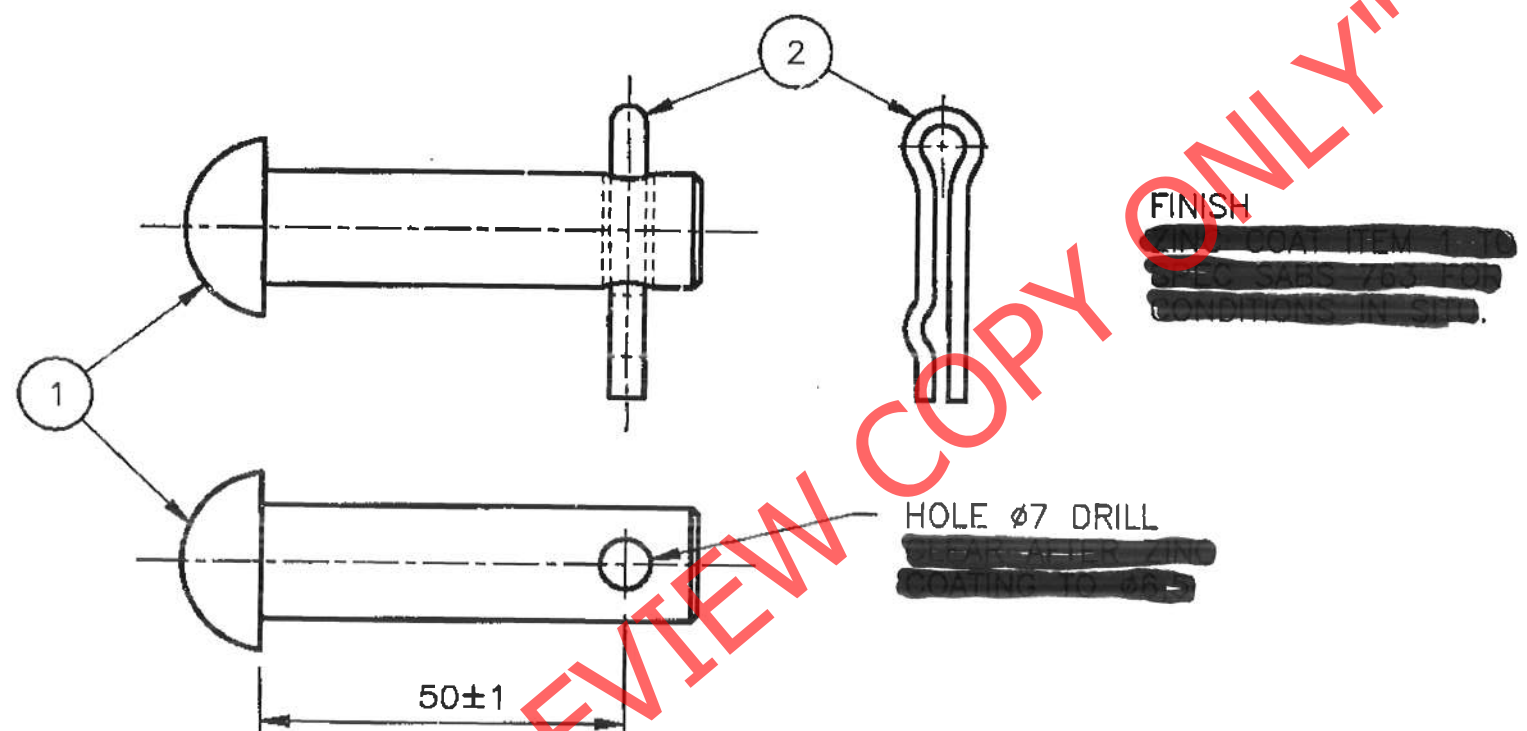



A4
 DRG NO **CEE-**
TX-54
 SHT — OF —

10000640

Area: 10355539

ITEM	DESCRIPTION	QTY	STORES ITEM NO	DRG NO CEE-	AMENDMENTS
1	RIVET, STEEL, SNAP HEAD, $\phi 16$ x 60 LG	1	01/22722	---	NO NAME DATE
2	LOCKING SPLIT PIN	1	54/3734	TX-54	3 J v DýK 94/8/4



DIMENSION 50 WAS 46. TOL REVISED. ITEM 1 STORES ITEM NO WAS 01/22710. DO REF T94/046

"PREVIEW COPY ONLY"

STORES ITEM NO. 54/4020

DIMENSIONS: mm
SCALE: 1:1

A4

DO REF: C84/70 GEN TOL: LIN $\pm 0,5$ ANG \pm —
 DRN: G.J. v G. CKD: I.T. DATE: 70-09-09
 ENG: — T.C. BROOK for CHIEF ENG

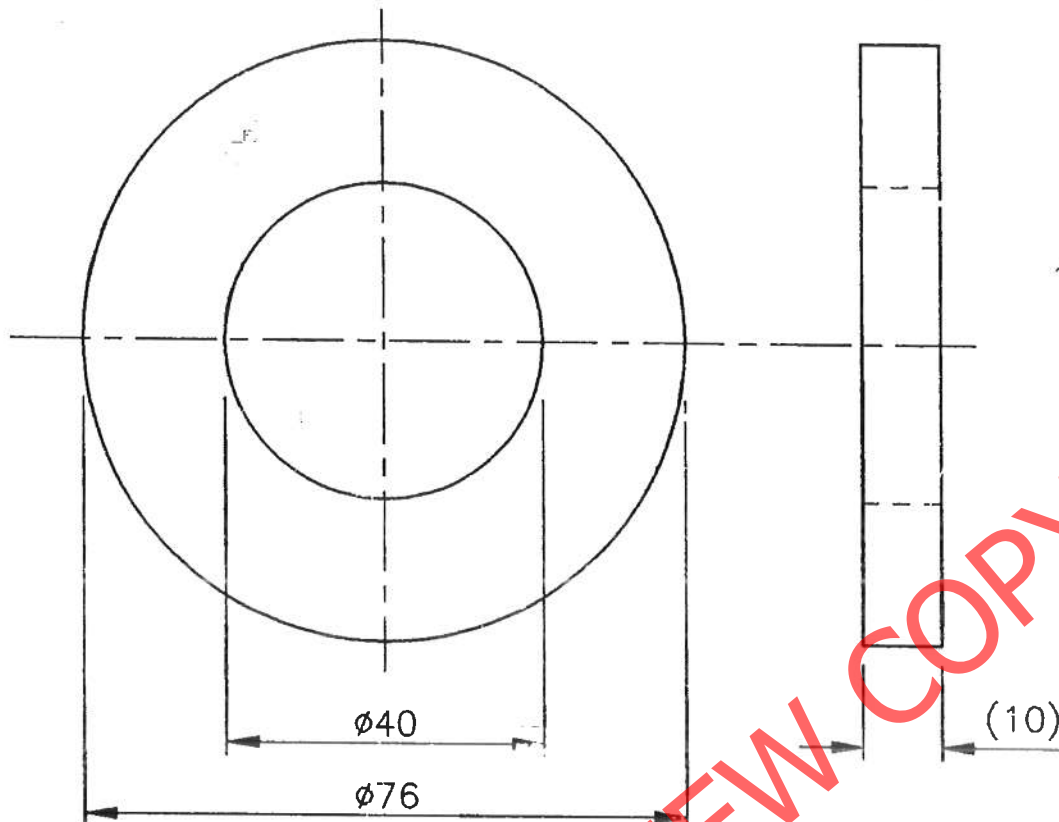
PIN, STRAIGHT, HEADED, $\phi 16$ WITH LOCKING SPLIT PIN

INFRASTRUCTURE (ELECTRICAL) SPOORNET

DRG NO CEE- TX-66
SHT — OF —

10000639

QEA: 103555 43



"PREVIEW COPY ONLY"

FINISH: ZINC COAT TO SABS 763 FOR CONDITIONS IN SITU.

AMENDMENTS		
NO	NAME	DATE
3	JVT	97-9-5

DRAWING REVISED.
DO REF:T96/021

STORES ITEM NO. _____

DIMENSIONS: mm
SCALE: 1:1

MATERIAL: STORES ITEM NO 11/12408, STEEL, FLAT, 80 x 10 THK

DO REF: T79/20	GEN TOL: LIN± 0,5	ANG± —
DRN: A JOUBERT	CKD: J SWIEGERS	DATE: 80-07-28
ENG: _____	GA WILLIAMS for CHIEF ENG	

WASHER, PACKING

CROSS HEAD, STAY WIRE ANCHOR



DRG NO CEE-
TX-28

SHT — OF —

INFRASTRUCTURE
(ELECTRICAL)

